

**Job Name: 25-1684P7 KYTC Jefferson Co. Call 200 (251007)**  
**Job Location: I-264 Louisville, Ky.**  
**Contractor: Cleary Construction, Inc.**

PC: J. Jarvis  
 TECH: J. Coppage  
 Plant: Beaver Dam, Ky.



Structure ID: 126+15 LT DBI-14 INLET 81

Spec: KYTC  
 Type: DBI TYPE 14  
 Size: 24" x 24"

Rim: 588'  
 Invert: 585.5'  
 Rim to Invert: 2.5'

Sump: 0"  
 Floor (Top): 585.5'  
 Floor Height: 8"

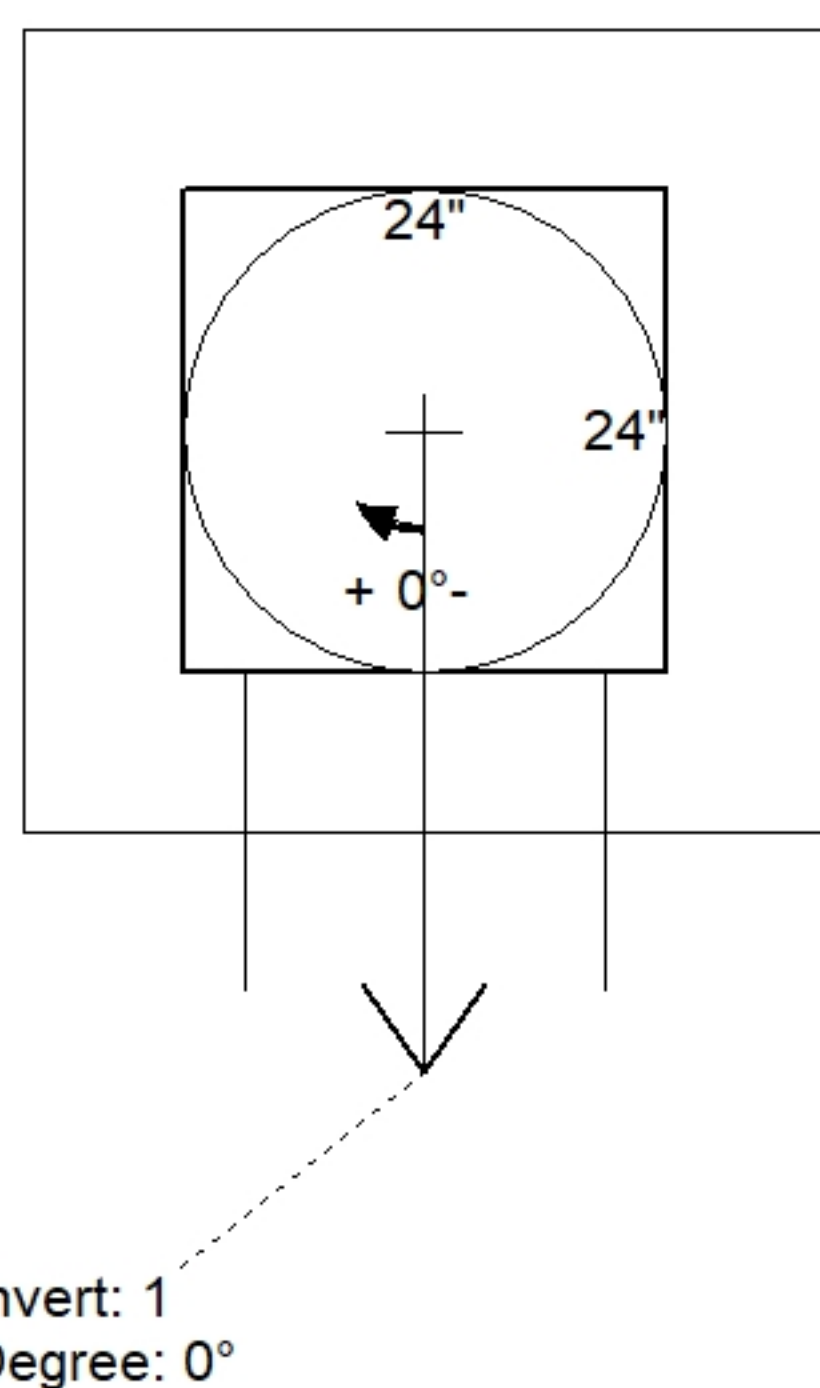
Floor (Bot): 584.833'  
 Overall Height: 3.167'  
 Slack: 0"

Structure Notes:

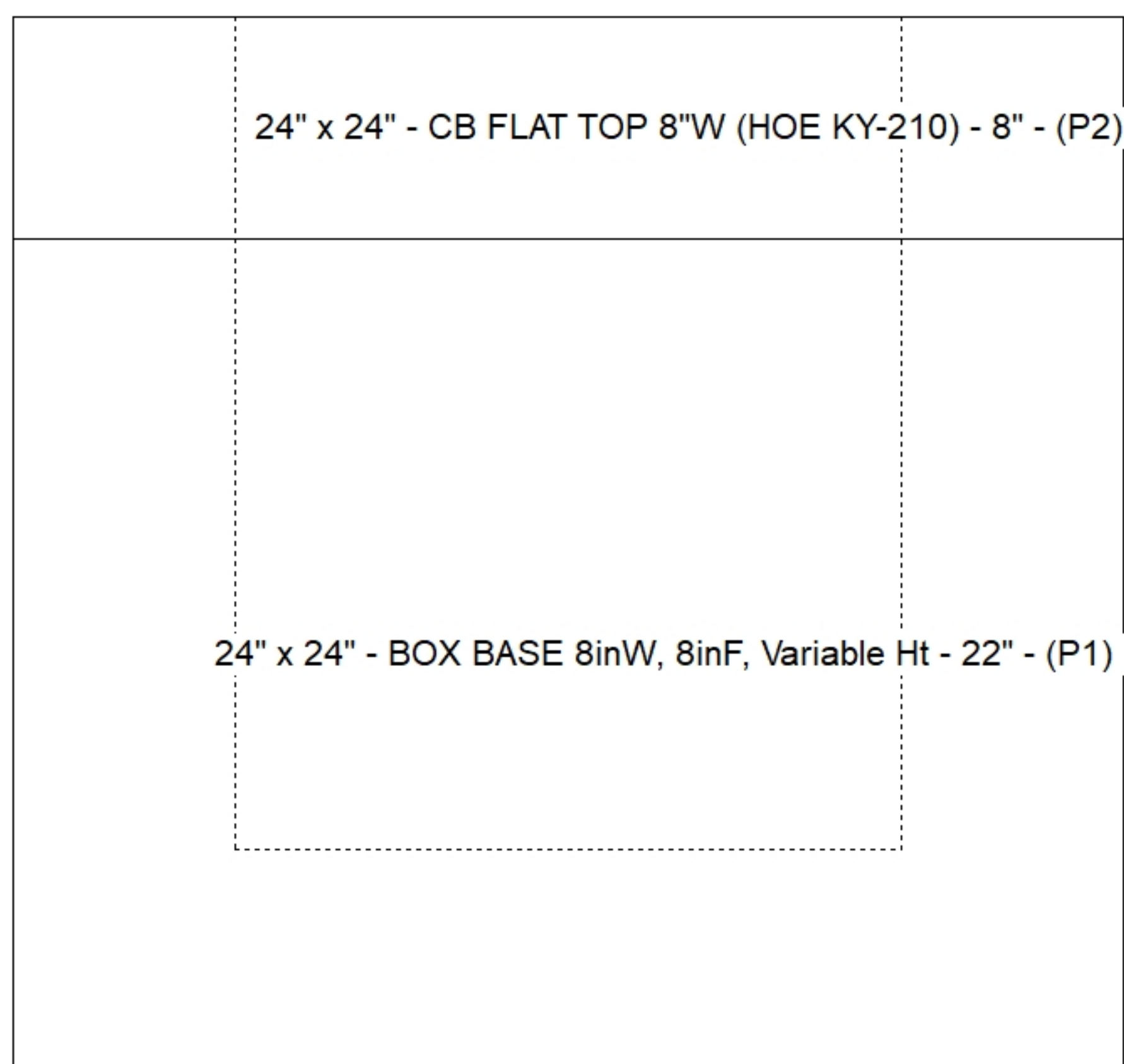
- KYTC STATE PROJECT 251007
- REINFORCING: #5 BAR @ 12" C/C E.W. (TYP.)
- DBI 14 FRAME & GRATE BY OTHERS.
- CS-102 BUTYL REQUIRED (SUPPLIED BY ICAST).
- KYTC CERTIFICATIONS REQUIRED.

STRUCTURE SUMMARY:

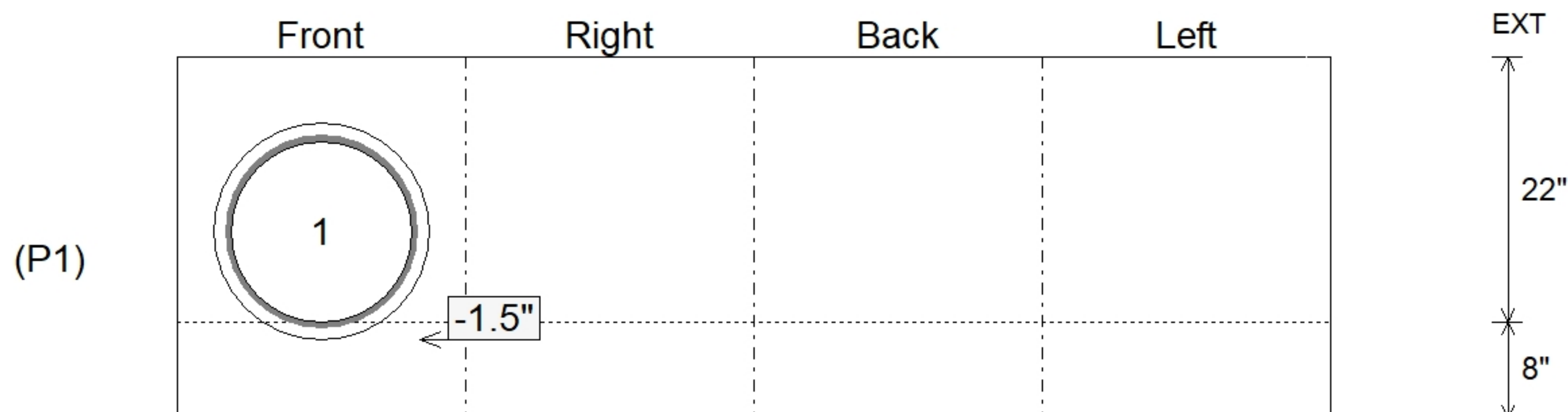
P2) 24" x 24" - CB FLAT TOP 8"W (HOE KY-210) - 8"	770 lb
P1) 24" x 24" - BOX BASE 8inW, 8inF, Variable Ht - 22"	2794 lb
1) 24" x 24" - SGL 1"x14.5' Butyl	0 lb
1) Hole - 18	0 lb
<b>Structure Total:</b>	<b>3564 lb</b>



Position	Elev	Angle	Pipe	Pipe OD	Hole	Connector	Up (L)	Ref
Rim	588'							
Reducer								
Invert 1	585.5'	0°	15" CMP	16"	18"	Hole 18	-1.5"	P1
Invert 2								
Invert 3								
Invert 4								
Invert 5								
Invert 6								
Invert 7								
Invert 8								



**Default - Interior Dimensions**



Submittal Drawing  
 3/24/2026 10:49:53 AM

SUBMITTAL  
 APPROVED BY: