

Job Name: 25-1684P7 KYTC Jefferson Co. Call 200 (251007)
 Job Location: I-264 Louisville, Ky.
 Contractor: Cleary Construction, Inc.

Plant: Beaver Dam, Ky.
 3/19/2026 1:05:00 PM

Tech: J. Coppage
 PC: J. Jarvis

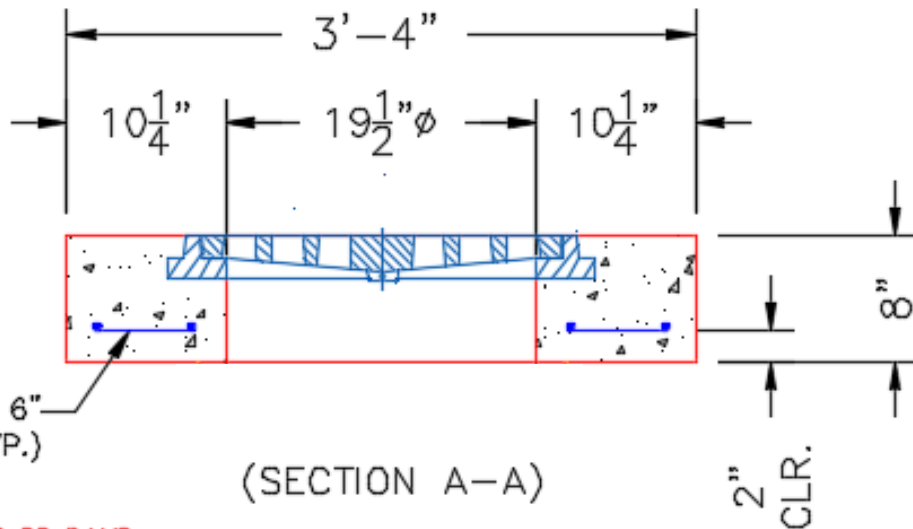
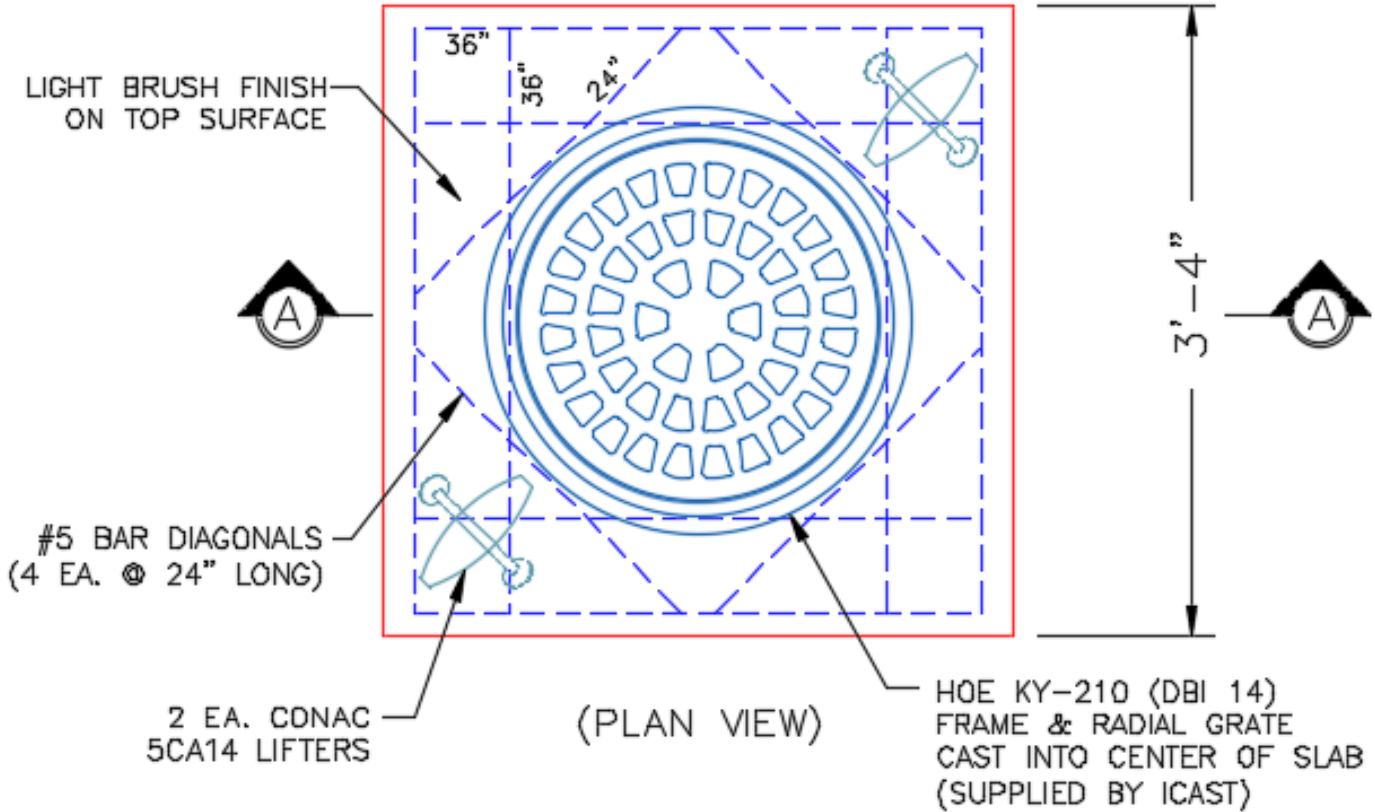


Structure ID: 126+15 LT DBI-14 INLET 81

P2 BX024024-08LD08-14

CB FLAT TOP 8"W (HOE KY-210)

KYTC STATE PROJECT



NOTES:

- CONCRETE: 4500 PSI @ 28 DAYS.
- MANUFACTURED TO KYTC & ASTM C-913 SPECIFICATIONS.
- REINFORCING: #5 BAR AS SHOWN-GRADE 60.
- KYTC STATE CERTIFICATIONS REQUIRED.

#5 BAR CUT LIST

- 8 EA. @ 36" LG.
- 4 EA. @ 24" LG.

Coating (Int):
 Coating (Ext):

Seam Up: Flat
 Seam Dn: Flat

Wall Thickness: 8"

Height (Ext): 8"

Weight (Net): 770 lb
 Volume (Net): 0.2cu.yd