

**Job Name: 25-1684P7 KYTC Jefferson Co. Call 200 (251007)**  
**Job Location: I-264 Louisville, Ky.**  
**Contractor: Cleary Construction, Inc.**

PC: J. Jarvis  
 TECH: J. Coppage  
 Plant: Beaver Dam, Ky.



Structure ID: 12+77 LT CBIA-MOD INLET 48

Spec: KYTC  
 Type: CBI TYPE A (10')  
 Size: 24" x 36"

Rim: 585.63'  
 Invert: 580.87'  
 Rim to Invert: 4.76'

Sump: 0"  
 Floor (Top): 580.87'  
 Floor Height: 8"

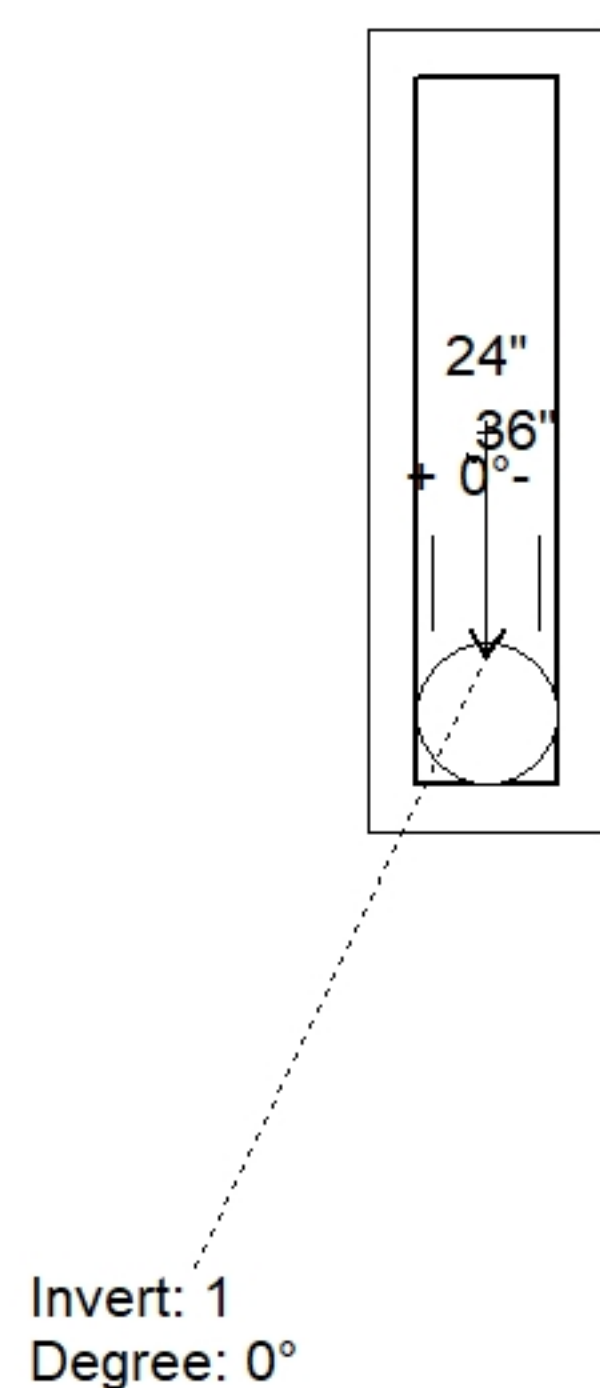
Floor (Bot): 580.203'  
 Overall Height: 5.083'  
 Slack: 4.12"

**Structure Notes:**

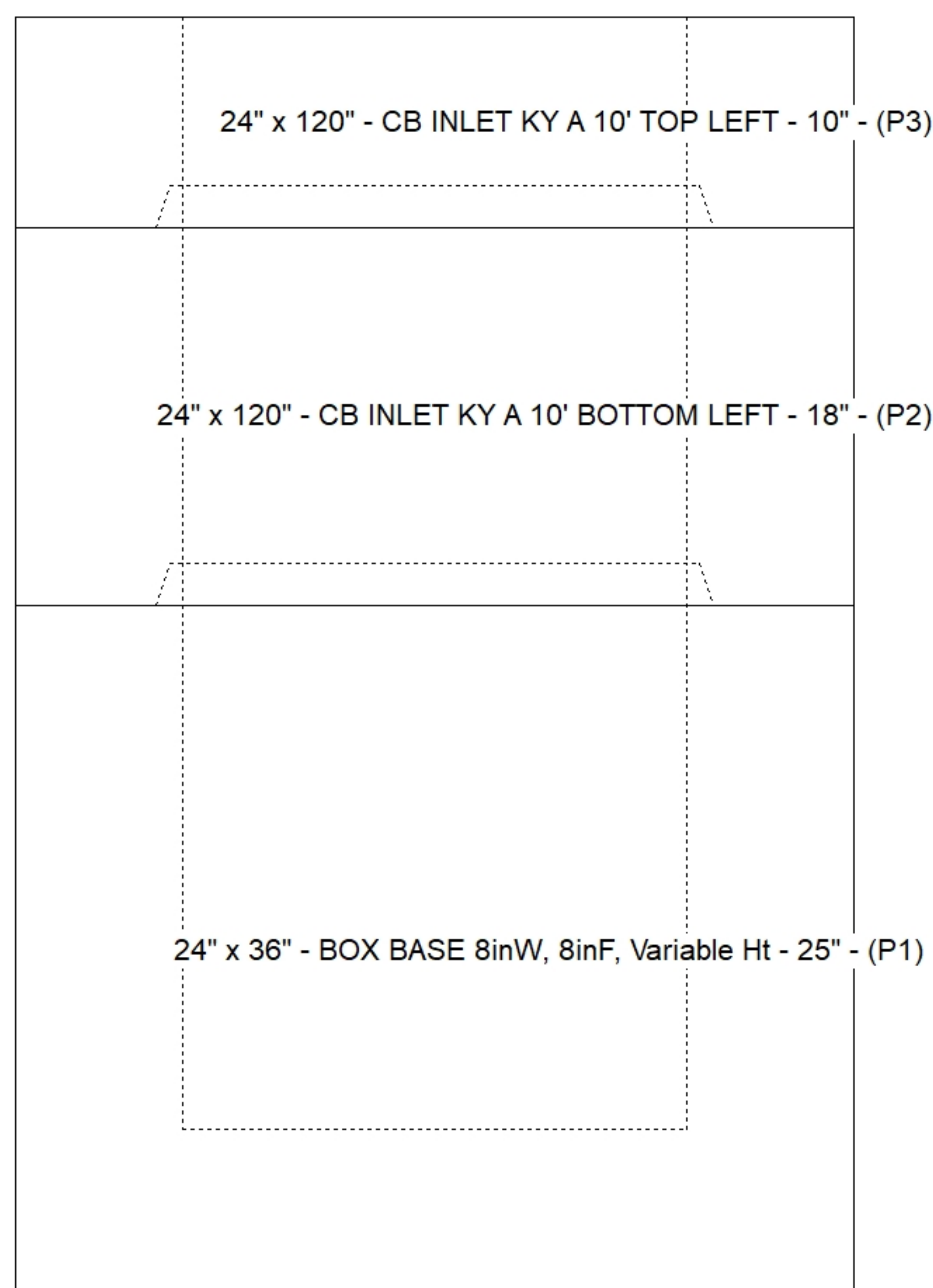
- KYTC STATE PROJECT 251007
- REINFORCING: #5 BAR @ 12" C/C E.W. (TYP.)
- CS-102 BUTYL REQUIRED (SUPPLIED BY ICAST).
- KYTC CERTIFICATIONS REQUIRED.

**STRUCTURE SUMMARY:**

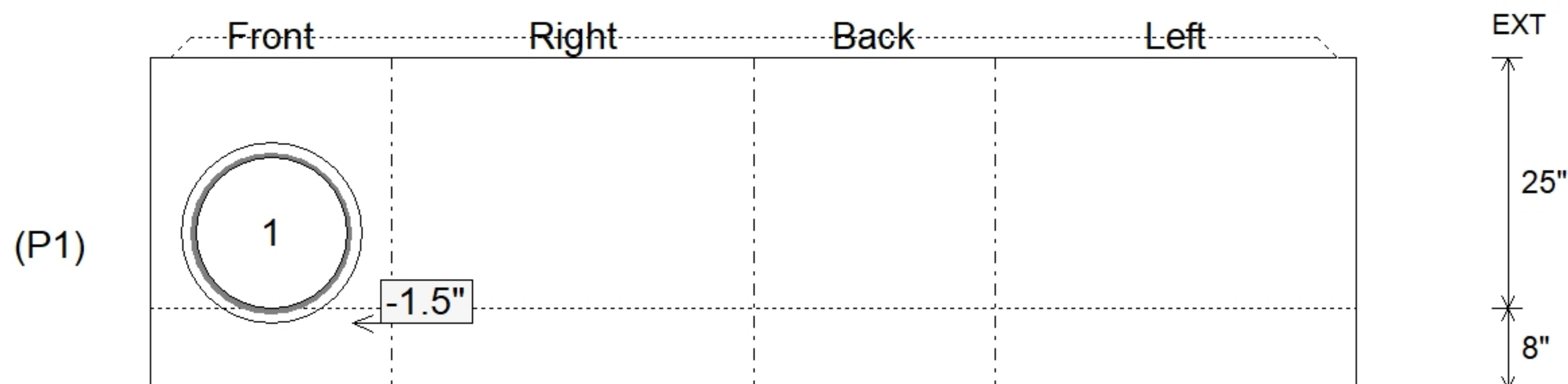
P3) 24" x 120" - CB INLET KY A 10' TOP LEFT - 10"	3400 lb
P2) 24" x 120" - CB INLET KY A 10' BOTTOM LEFT - 18"	5270 lb
P1) 24" x 36" - BOX BASE 8inW, 8inF, Variable Ht - 25"	3776 lb
1) 24" x 36" - Conseal CS-102 1.00"	0 lb
1) Hole - 18	0 lb
<b>Structure Total:</b>	<b>12446 lb</b>



Position	Elev	Angle	Pipe	Pipe OD	Hole	Connector	Up (L)	Ref
Rim	585.63'							
Reducer								
Invert 1	580.87'	0°	15" CMP	16"	18"	Hole 18	-1.5"	P1
Invert 2								
Invert 3								
Invert 4								
Invert 5								
Invert 6								
Invert 7								
Invert 8								



**Default - Interior Dimensions**



Submittal Drawing  
 3/24/2026 10:50:06 AM

SUBMITTAL  
 APPROVED BY: