

Job Name: 25-1684P4 KYTC Jefferson Co. Call 200 (251007)
 Job Location: I-264 Louisville, Ky.
 Contractor: Cleary Construction, Inc.

Plant: Beaver Dam, Ky.
 1/22/2026 6:51:25 AM

Tech: J. Horsley
 PC: J. Jarvis



Structure ID: JB 03 - JB-A

P1 BX3660-08BAVF

BOX BASE 8inW, 8inF, Variable Ht F/n

- P2) 36" x 60" - BX FLAT LID 8inW SOLID F/F - 8"
- P1) 36" x 60" - BOX BASE 8inW, 8inF, Variable Ht F/n - 56"
- 1) 36" x 60" - Conseal CS-102 1.00"
- 2) Hole - 52

2653 lb
 8222 lb
 0 lb
 0 lb

 Structure Total: 10875 lb

Structure Notes:

- ** KYTC STATE PROJECT **
- 1. PER KYTC JUNCTION BOX /ASTM C913 SPEC'S.
- 2. CONCRETE = 4,000 PSI AT 28 DAYS.
- 3. SOLID TOP SLAB - NO CASTING.

REINFORCING PER ASTM A615 (GRADE 60).

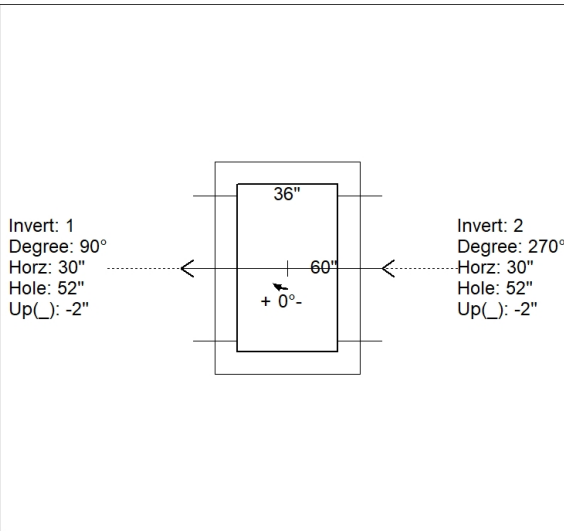
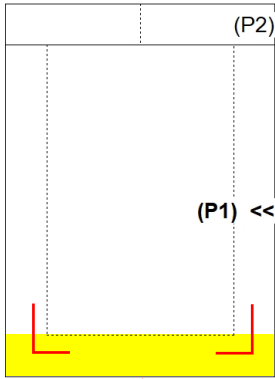
- TOP SLAB (As. 62) #5 BARS AT 6" C.C.E.W.
- WALLS (As. 31) #5 BARS AT 12" C.C.E.W.
- FLOOR (As. 31) #5 BARS AT 12" C.C.E.W.

Rim: 5.35' Rim to Invert: 5.35' Slack: 0.2" Sump: 0" Step Position:

Position	Elev	Angle	Ext. (cw)	Pipe	Pipe OD	Connector	Hole	Horz Size	Up ()	Offset
Invert 1	0'	90°	38"	48" CMP	49"	Hole 52	52"	52"	-2"	0"
Invert 2	0'	270°	38"	48" CMP	49"	Hole 52	52"	52"	-2"	0"
Invert 3										
Invert 4										
Invert 5										
Invert 6										
Invert 7										
Invert 8										

RIGHT-SIDE UP VIEW (int. dimensions)

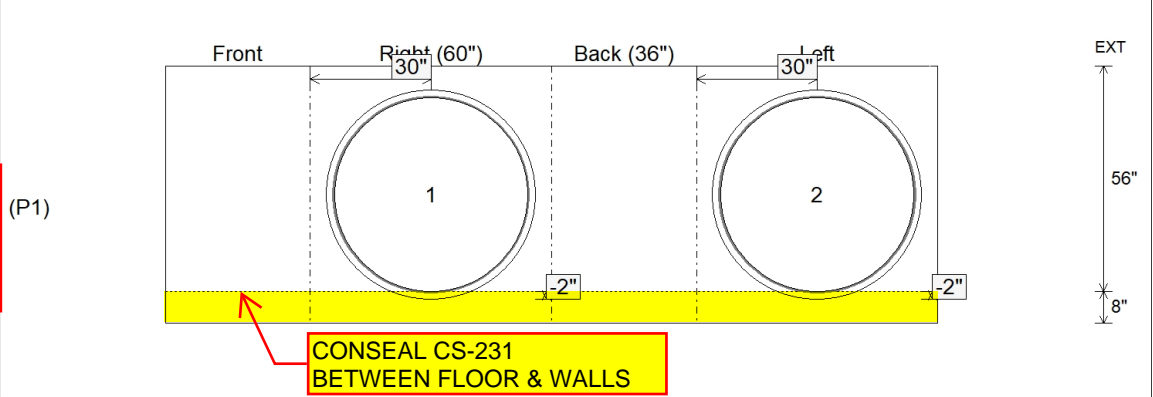
UPSIDE-DOWN VIEW (int. dimensions)



1ST POUR (FLOOR) = 2,654 LBS
2ND POUR (WALLS) = 5,568 LBS
4 EA. CONAC 5CA14 LIFTERS
IN FLOOR

1ST POUR (FLOOR)
STUB #5 L BARS YOUR TOP
OF FLOOR AT 12" C/C FOR
CONNECTING WALLS

INSIDE WALL DIMENSIONS



Coating (Int): Coating (Ext):	Seam Up: Flat Seam Dn: n/a	Wall Thickness: 8" Floor Height: 8"	Height (Int): 56" Height (Ext): 64"	Weight (Net): 8222 lb Volume (Net): 2.1cu.yd
----------------------------------	-------------------------------	--	--	---

Job Name: 25-1684P4 KYTC Jefferson Co. Call 200 (251007)
 Job Location: I-264 Louisville, Ky.
 Contractor: Cleary Construction, Inc.

Plant: Beaver Dam, Ky.
 1/22/2026 6:51:25 AM

Tech: J. Horsley
 PC: J. Jarvis



Structure ID: JB 03 - JB-A

P1A BX3660-08BAVF

BOX BASE 8inW, 8inF, Variable Ht F/n

P2) 36" x 60" - BX FLAT LID 8inW SOLID F/F - 8"
 P1) 36" x 60" - BOX BASE 8inW, 8inF, Variable Ht F/n - 56"
 1) 36" x 60" - Conseal CS-102 1.00"
 2) Hole - 52

2653 lb
 8222 lb
 0 lb
 0 lb

 Structure Total: 10875 lb

Structure Notes:

- ** KYTC STATE PROJECT ****
1. PER KYTC JUNCTION BOX /ASTM C913 SPEC'S.
 2. CONCRETE = 4,000 PSI AT 28 DAYS.
 3. SOLID TOP SLAB - NO CASTING.

REINFORCING PER ASTM A615 (GRADE 60).

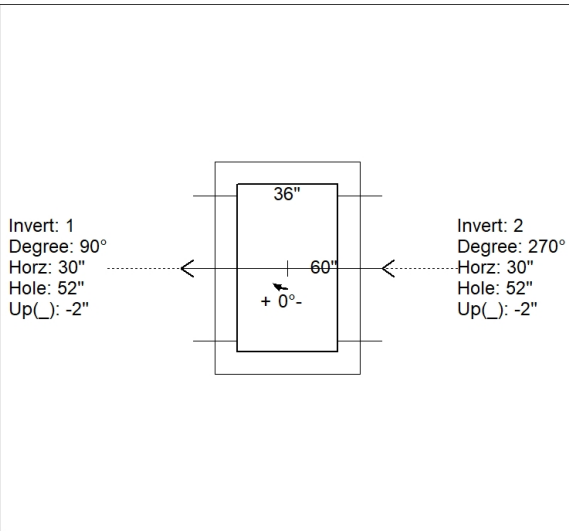
- TOP SLAB (As. 62) #5 BARS AT 6" C.C.E.W.
- WALLS (As. 31) #5 BARS AT 12" C.C.E.W.
- FLOOR (As. 31) #5 BARS AT 12" C.C.E.W.

Rim: 5.35' Rim to Invert: 5.35' Slack: 0.2" Sump: 0" Step Position:

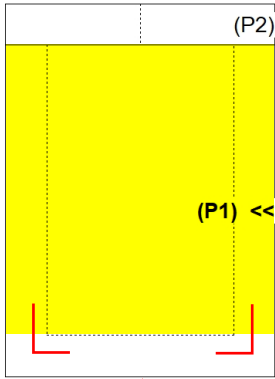
Position	Elev	Angle	Ext. (cw)	Pipe	Pipe OD	Connector	Hole	Horz Size	Up ()	Offset
Invert 1	0'	90°	38"	48" CMP	49"	Hole 52	52"	52"	-2"	0"
Invert 2	0'	270°	38"	48" CMP	49"	Hole 52	52"	52"	-2"	0"
Invert 3										
Invert 4										
Invert 5										
Invert 6										
Invert 7										
Invert 8										

RIGHT-SIDE UP VIEW (int. dimensions)

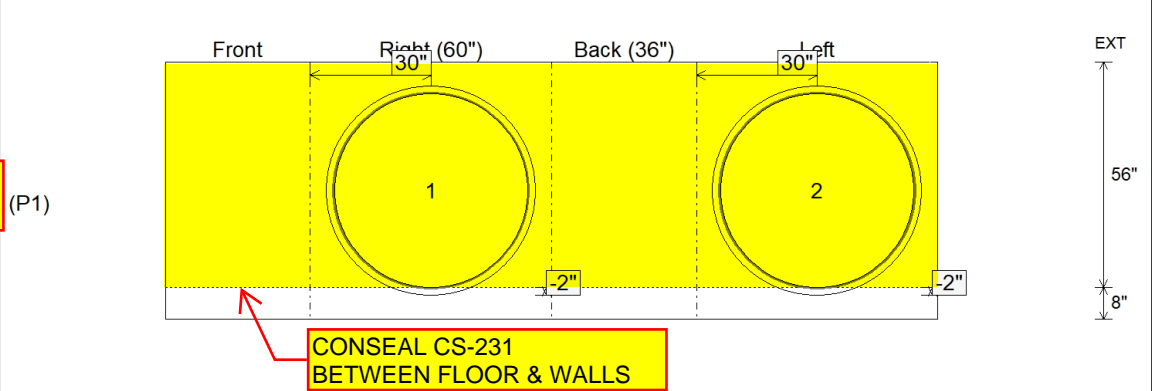
UPSIDE-DOWN VIEW (int. dimensions)



1ST POUR (FLOOR) = 2,654 LBS
2ND POUR (WALLS) = 5,568 LBS
4 EA. CONAC 5CA14 LIFTERS
IN FLOOR



INSIDE WALL DIMENSIONS



CONSEAL CS-231
BETWEEN FLOOR & WALLS

Coating (Int): Coating (Ext):	Seam Up: Flat Seam Dn: n/a	Wall Thickness: 8" Floor Height: 8"	Height (Int): 56" Height (Ext): 64"	Weight (Net): 8222 lb Volume (Net): 2.1cu.yd
----------------------------------	-------------------------------	--	--	---