



Date: 2/10/26

Cleary Construction
2006 Edmonton Rd.
Tompkinsville, Ky. 42167

Project: KYTC Jefferson Co. Call 200 (251007)
Sales Order No.: 25-1684
Attn.: Tommy Cramer

We are sending you the following:

- Submittal details-file copy only
- Submittal details for approval

To ensure quality service, and to aid you with your desired work schedule please return this submittal package with any comments/corrections in a timely fashion so that we can begin the production and management of your project. Production of precast shall not begin until a signed, approved copy of the submitted drawings is returned to Infrastructure Precast, Inc.

Submittal details for production prior to engineer's approval

- Request of production prior to engineer's approval requires contractor/customer to accept purchase and delivery without exception.
- Your approval verification below must be returned to Infrastructure Precast, Inc. before production can be scheduled (see below)

I, _____, understand that I am instructing Infrastructure Precast, Inc. to proceed with production without the Engineer's submittal approval; therefore, I agree that all financial responsibility rests with me regardless of any changes made by the Engineer that may occur after the fact.

Signature: _____ Date: _____

Detailed submittal drawings for non-standard structures

For all non-standard items a detailed submittal drawing is created and must be reviewed by the contractor and the Project Engineer to ensure accuracy before Infrastructure Precast, Inc. can produce any non-standard structure.

COPIES	DATE	DESCRIPTION
1 via email	02/10/26	The next set of KYTC storm drainage submittal drawings for review and approval.

The above items are transmitted for your review and approval. Please contact your project manager with any questions.

Project Coordinator: Jay Jarvis
Phone – (270) 216-6063
Email – jjarvis@icastinc.com



Typical Storm Submittal Drawings

Job Name: 25-1684 KYTC Jefferson Co. Call 200 (251007)
Job Location: I-264 Louisville, Ky.
Contractor: Cleary Construction, Inc.

PC: J. Jarvis
 TECH: N. Richards
 Plant: Beaver Dam, Ky.



Structure ID: **115+73 LT CBIA INLET 5**

Spec: KYTC
 Type: CBI TYPE A (10')
 Size: 24" x 36"

Rim: 589.33'
 Invert: 584.12'
 Rim to Invert: 5.21'

Sump: 0'
 Floor (Top): 584.12'
 Floor Height: 0.667'

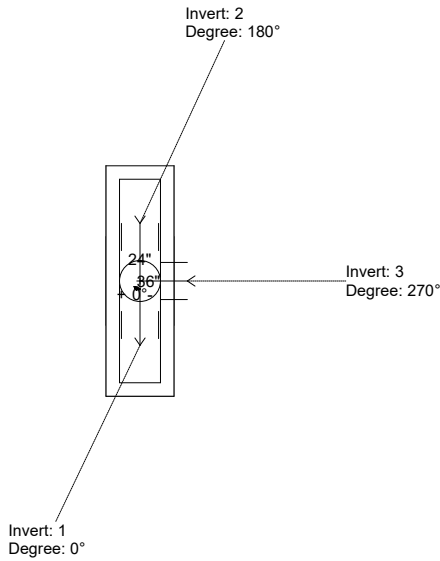
Floor (Bot): 583.453'
 Overall Height: 5.5'
 Slack: 0.377'

Structure Notes:

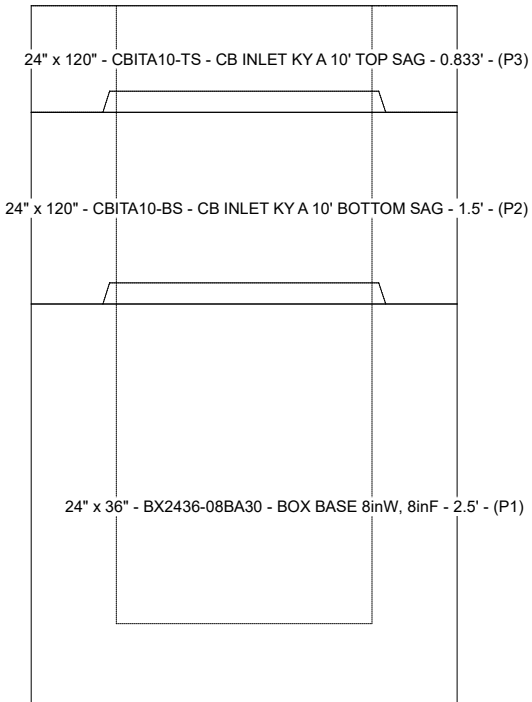
- KYTC STATE PROJECT 251007
- REINFORCING: #5 BAR @ 12" C/C E.W. (TYP.)
- CS-102 BUTYL REQUIRED (SUPPLIED BY ICAST).
- KYTC CERTIFICATIONS REQUIRED.

STRUCTURE SUMMARY:

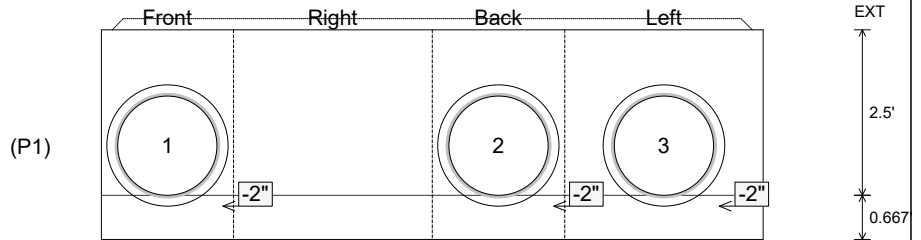
P3) 24" x 120" - CBITA10-TS - CB INLET KY A 10' TOP SAG - 0.833'	3398 lb
P2) 24" x 120" - CBITA10-BS - CB INLET KY A 10' BOTTOM SAG - 1.5'	5270 lb
P1) 24" x 36" - BX2436-08BA30 - BOX BASE 8inW, 8inF - 2.5'	3692 lb
1) 24" x 36" - PSCONCS102-1 - Conseal CS-102 1.00" - 0'	0 lb
3) Hole - 0'	0 lb
Structure Total:	12360 lb



Position	Elev	Angle	Pipe	Pipe OD	Hole	Connector	Up (L)	Ref
Rim	589.33'							
Reducer								
Invert 1	584.12'	0°	18" CMP	19"	22"	Hole 22	-2"	P1
Invert 2	584.12'	180°	18" CMP	19"	22"	Hole 22	-2"	P1
Invert 3	584.12'	270°	18" CMP	19"	22"	Hole 22	-2"	P1
Invert 4								
Invert 5								
Invert 6								
Invert 7								
Invert 8								



Default - Interior Dimensions



Submittal Drawing
 2/10/2026 6:36:38 AM

SUBMITTAL
 APPROVED BY:

Job Name: 25-1684 KYTC Jefferson Co. Call 200 (251007)
Job Location: I-264 Louisville, Ky.
Contractor: Cleary Construction, Inc.

PC: J. Jarvis
 TECH: N. Richards
 Plant: Beaver Dam, Ky.



Structure ID: **115+73 JB-B1 INLET 6**

Spec: KYTC
 Type: Junction Box B1
 Size: 24" x 24"

Rim: 589.7'
 Invert: 585.7'
 Rim to Invert: 4'

Sump: 0'
 Floor (Top): 585.7'
 Floor Height: 0.667'

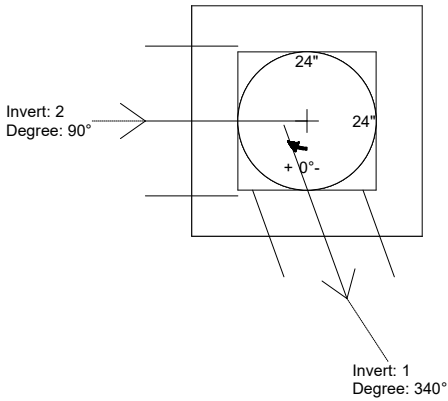
Floor (Bot): 585.033'
 Overall Height: 4.333'
 Slack: 0.333'

Structure Notes:

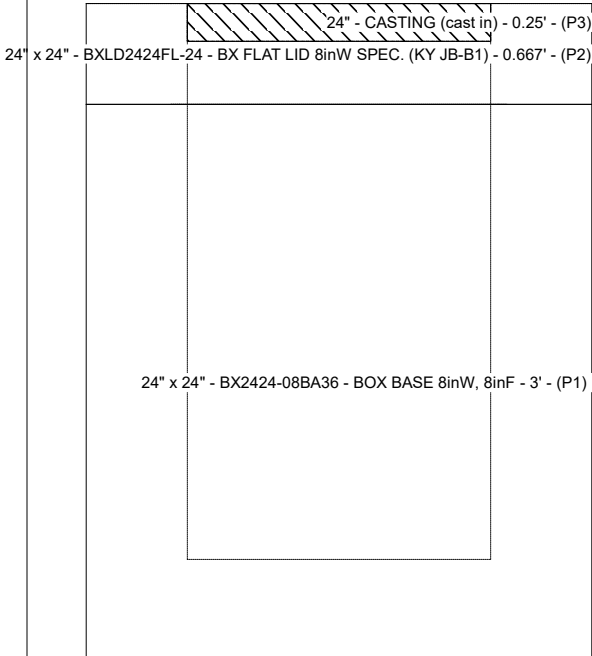
KYTC STATE PROJECT 251007
 REINFORCING: #5 BAR @ 12" C/C E.W. (TYP).
 CASTING BY ICAST.
 CS-102 BUTYL REQUIRED (SUPPLIED BY ICAST).
 KYTC CERTIFICATIONS REQUIRED.

STRUCTURE SUMMARY:

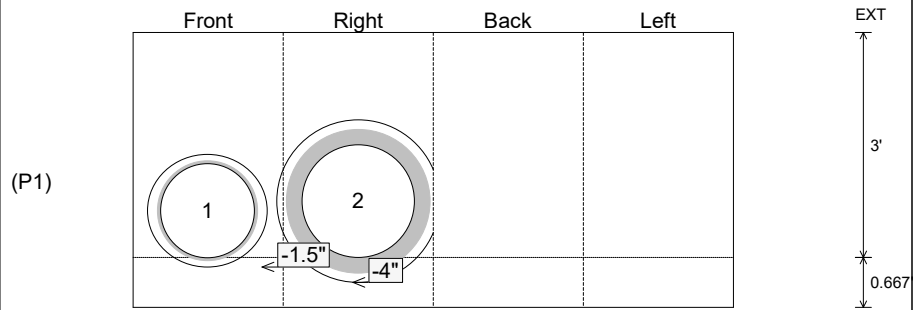
P3) 24" - CASTING (cast in) - 0.25'	0 lb
P2) 24" x 24" - BXLD2424FL-24 - BX FLAT LID 8inW SPEC. (KY JB-B1) - 0.667'	770 lb
P1) 24" x 24" - BX2424-08BA36 - BOX BASE 8inW, 8inF - 3'	3718 lb
1) 24" x 24" - PSCONCS102-1 - Conseal CS-102 1.00" - 0'	0 lb
1) Hole - 0'	0 lb
1) Hole - 0'	0 lb
Structure Total:	4489 lb



Position	Elev	Angle	Pipe	Pipe OD	Hole	Connector	Up ()	Ref
Rim	589.7'							
Reducer								
Invert 1	585.7'	340°	15" CMP	16"	18"	Hole 18	-1.5"	P1
Invert 2	585.7'	90°	18" RCP B WALL	23"	26"	Hole 26	-4"	P1
Invert 3								
Invert 4								
Invert 5								
Invert 6								
Invert 7								
Invert 8								



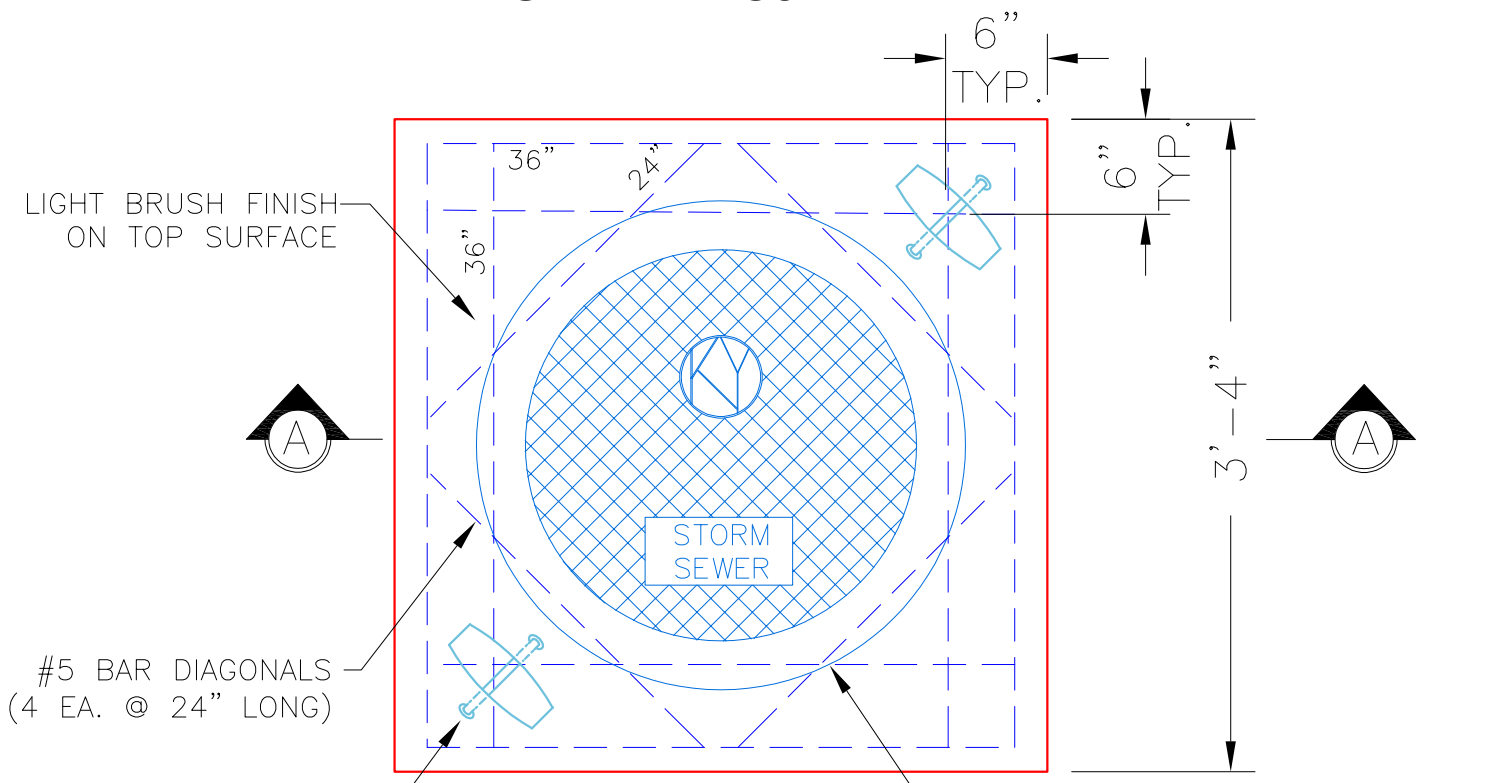
Default - Interior Dimensions



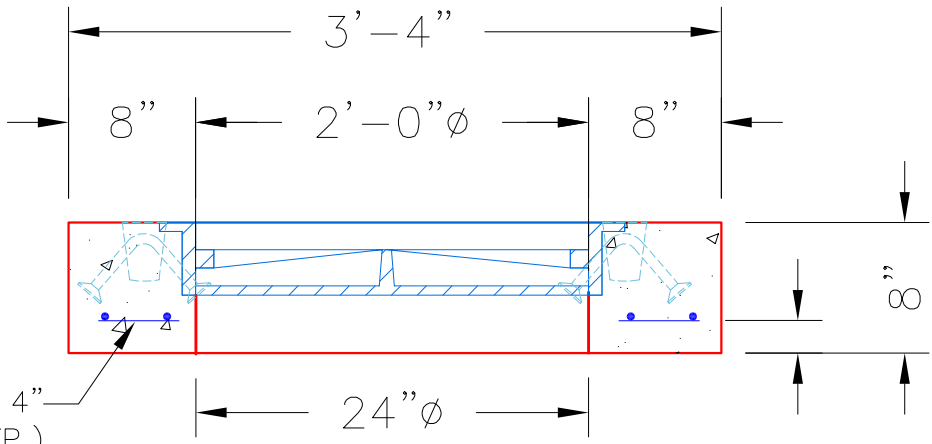
Submittal Drawing
 2/10/2026 6:36:38 AM

SUBMITTAL
 APPROVED BY:

KYTC STATE PROJECT



PLAN VIEW



SECTION A-A

NOTES:

- CONCRETE: 4500 PSI @ 28 DAYS.
- MANUFACTURED TO KYTC & ASTM C-913 SPECIFICATIONS.
- REINFORCING: #5 BAR AS SHOWN-GRADE 60.
- KYTC STATE CERTIFICATIONS REQUIRED.
- 2 EA. CONAC 5CA18 LIFTS REQUIRED.

#5 BAR CUT LIST
 8 EA. @ 36" LG.
 4 EA. @ 24" LG.

PRODUCTION WORK ORDER		PRODUCT I.D.: BXLD2424FL0808-S	DESCRIPTION: JUNCTION BOX TOP SLAB (B1) 24" X 24" X 8"	
	QUALITY CONTROL CHECKLIST	PRODUCT VIEW: RIGHT SIDE UP	CUSTOMER: CLEARY CONSTRUCTION, INC.	
	<input type="checkbox"/> ALL DIMENSIONS CORRECT.	PLANT: BEAVER DAM, KY.	PROJECT: KYTC JEFFERSON CO. 251007	
	<input type="checkbox"/> LIFTERS INSTALLED.	WEIGHT: 779 LBS.	STRUCTURE ID.: 115+73 JB-B1 (SEC. P2)	
	<input type="checkbox"/> OPENING CENTERED.	TOP SECTION JOINT: NOT REQ'D.	SALES ORDER NO.: 25-1684P3	
	<input type="checkbox"/> REINFORCING CORRECT.	BOTTOM JOINT: FLAT	PC: J. JARVIS	DRAWING: N. RICHARDS
<input type="checkbox"/> NO JOINT INSTALLED.	QC CHECK INITIALS:	DATE: 02/11/26	SCALE: NTS	PG. 1 of 1
<input type="checkbox"/> TOP EDGE ROUNDED.				
<input type="checkbox"/> ANY PATCHWORK ACCEPTABLE.				

Job Name: 25-1684 KYTC Jefferson Co. Call 200 (251007)
Job Location: I-264 Louisville, Ky.
Contractor: Cleary Construction, Inc.

PC: J. Jarvis
 TECH: N. Richards
 Plant: Beaver Dam, Ky.



Structure ID: **116+92 LT CBIA INLET 8**

Spec: KYTC
 Type: CBI TYPE A (10')
 Size: 24" x 36"

Rim: 589.78'
 Invert: 583.57'
 Rim to Invert: 6.21'

Sump: 0'
 Floor (Top): 583.57'
 Floor Height: 0.667'

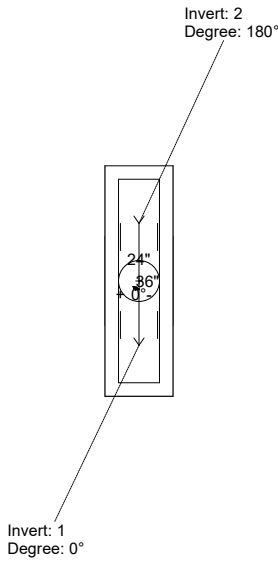
Floor (Bot): 582.903'
 Overall Height: 6.5'
 Slack: 0.377'

Structure Notes:

- KYTC STATE PROJECT 251007
- REINFORCING: #5 BAR @ 12" C/C E.W. (TYP.)
- CS-102 BUTYL REQUIRED (SUPPLIED BY ICAST).
- KYTC CERTIFICATIONS REQUIRED.

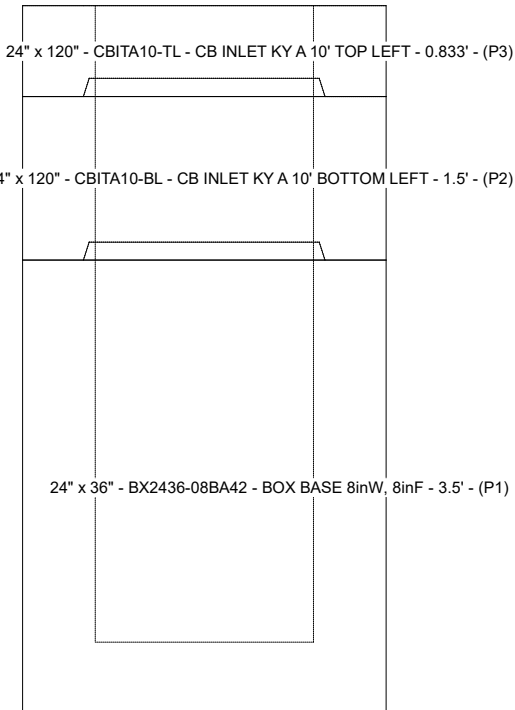
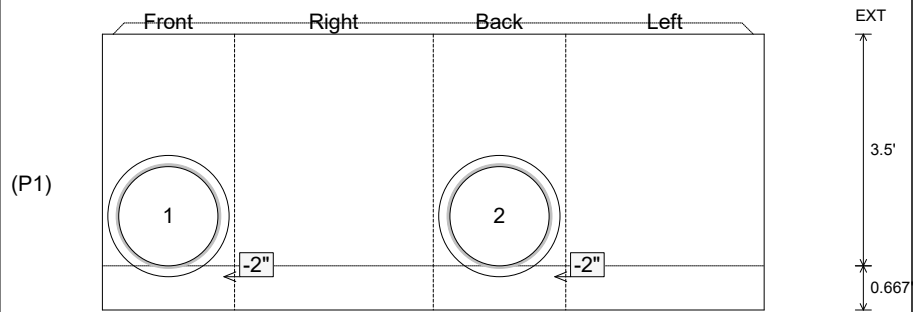
STRUCTURE SUMMARY:

P3) 24" x 120" - CBITA10-TL - CB INLET KY A 10' TOP LEFT - 0.833'	3400 lb
P2) 24" x 120" - CBITA10-BL - CB INLET KY A 10' BOTTOM LEFT - 1.5'	5270 lb
P1) 24" x 36" - BX2436-08BA42 - BOX BASE 8inW, 8inF - 3.5'	5171 lb
1) 24" x 36" - PSCONCS102-1 - Conseal CS-102 1.00" - 0'	0 lb
2) Hole - 0'	0 lb
Structure Total:	13841 lb



Position	Elev	Angle	Pipe	Pipe OD	Hole	Connector	Up (L)	Ref
Rim	589.78'							
Reducer								
Invert 1	583.57'	0°	18" CMP	19"	22"	Hole 22	-2"	P1
Invert 2	583.57'	180°	18" CMP	19"	22"	Hole 22	-2"	P1
Invert 3								
Invert 4								
Invert 5								
Invert 6								
Invert 7								
Invert 8								

Default - Interior Dimensions



Submittal Drawing
 2/10/2026 6:36:39 AM

SUBMITTAL
 APPROVED BY:

Job Name: 25-1684 KYTC Jefferson Co. Call 200 (251007)
Job Location: I-264 Louisville, Ky.
Contractor: Cleary Construction, Inc.

PC: J. Jarvis
 TECH: N. Richards
 Plant: Beaver Dam, Ky.



Structure ID: 117+32 LT MH-A INLET 9

Spec: KYTC Rim: 590.3'
 Type: MH A Invert: 583.41'
 Size: 48" Rim to Invert: 6.89'

Sump: 0.167'
 Floor (Top): 583.243'
 Floor Height: 0.5'

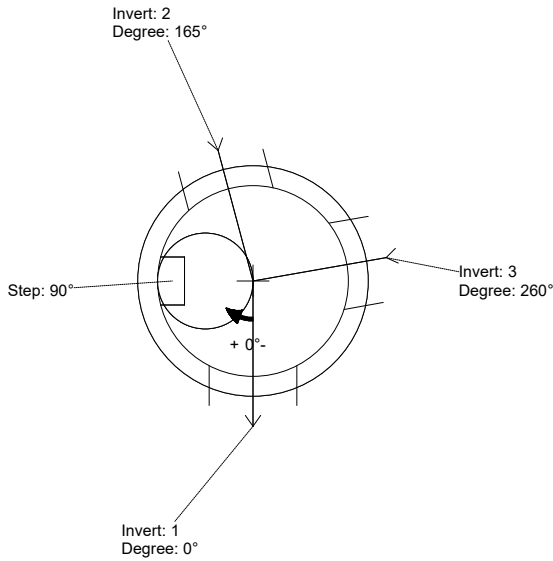
Floor (Bot): 582.743'
 Overall Height: 7.5'
 Slack: 0.057'

Structure Notes:

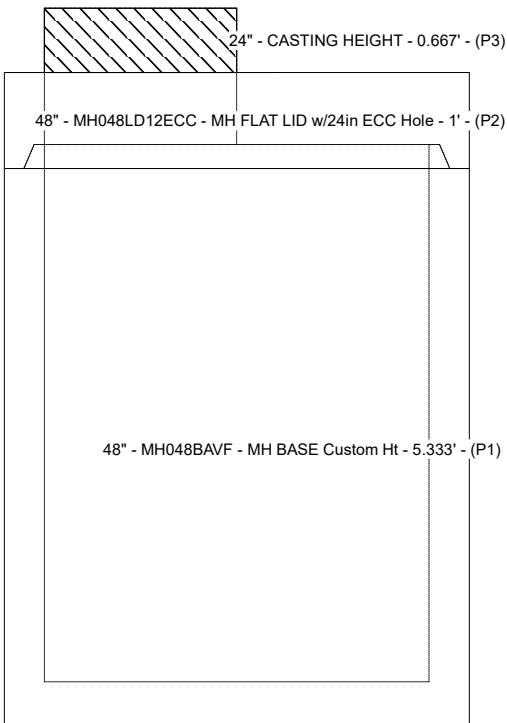
- KYTC STATE PROJECT 251007
- REINFORCING: PER ASTM C-478 SPECIFICATIONS.
- TYPE 2 MANHOLE FRAME & COVER (BY OTHERS).
- CS-102 BUTYL REQUIRED (SUPPLIED BY ICAST).
- KYTC CERTIFICATIONS REQUIRED.
- VERIFY EXISTING 15" RCP I.E.

STRUCTURE SUMMARY:

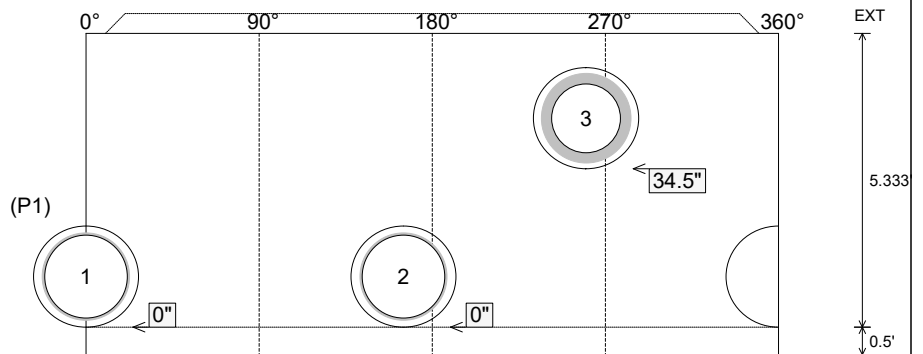
- P3) 24" - CASTING HEIGHT - 0.667' 0 lb
 - P2) 48" - MH048LD12ECC - MH FLAT LID w/24in ECC Hole - 1' 1561 lb
 - P1) 48" - MH048BAVF - MH BASE Custom Ht - 5.333' 5307 lb
 - 1) 48" - PSCONCS102-1 - Conseal CS-102 1.00" - 0' 0 lb
 - 3) Hole - 0' 0 lb
 - 5) PSAMERSTEPML10TDSNCR - MH Step ML-10-TDS-NCR - 0' 0 lb
- Structure Total: 6868 lb



Position	Elev	Angle	Pipe	Pipe OD	Hole	Connector	Up (')	Ref
Rim	590.3'							
Reducer								
Invert 1	583.41'	0°	18" CMP	19"	22"	Hole 22	0"	P1
Invert 2	583.41'	165°	18" CMP	19"	22"	Hole 22	0"	P1
Invert 3	586.41'	260°	15" RCP B WALL	19.5"	22"	Hole 22	34.5"	P1
Invert 4								
Invert 5								
Invert 6								
Invert 7								
Invert 8								



Default - Interior Dimensions



Submittal Drawing
 2/10/2026 6:36:40 AM

SUBMITTAL
 APPROVED BY:

Job Name: 25-1684 KYTC Jefferson Co. Call 200 (251007)
Job Location: I-264 Louisville, Ky.
Contractor: Cleary Construction, Inc.

PC: J. Jarvis
 TECH: N. Richards
 Plant: Beaver Dam, Ky.



Structure ID: 117+51 LT MH-A INLET 13

Spec: KYTC Rim: 590.35'
 Type: MH A Invert: 582.35'
 Size: 48" Rim to Invert: 8'

Sump: 0.167'
 Floor (Top): 582.183'
 Floor Height: 0.5'

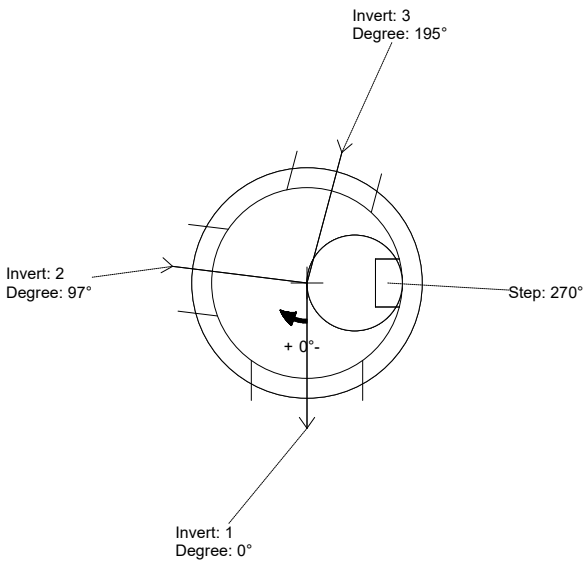
Floor (Bot): 581.683'
 Overall Height: 8.667'
 Slack: 0'

Structure Notes:

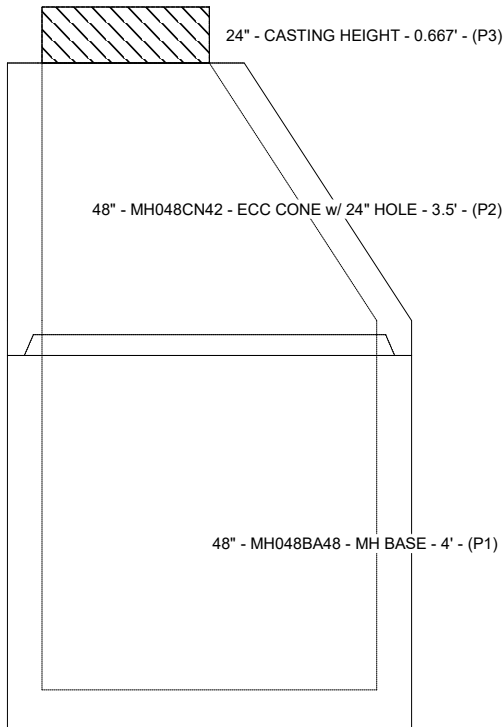
- KYTC STATE PROJECT 251007
- REINFORCING: PER ASTM C-478 SPECIFICATIONS.
- TYPE 2 MANHOLE FRAME & COVER (BY OTHERS).
- CS-102 BUTYL REQUIRED (SUPPLIED BY ICAST).
- KYTC CERTIFICATIONS REQUIRED.

STRUCTURE SUMMARY:

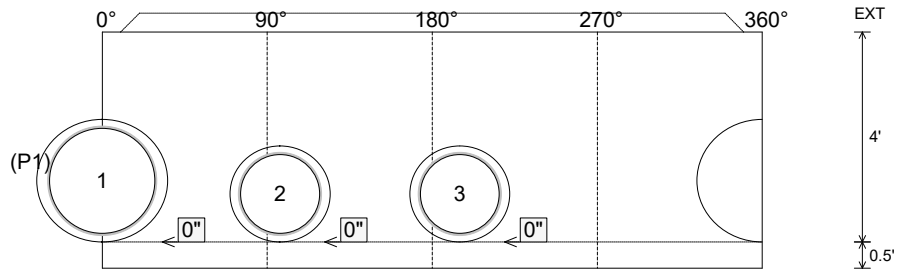
- P3) 24" - CASTING HEIGHT - 0.667' 0 lb
 - P2) 48" - MH048CN42 - ECC CONE w/ 24" HOLE - 3.5' 3200 lb
 - P1) 48" - MH048BA48 - MH BASE - 4' 4081 lb
 - 1) 48" - PSCONCS102-1 - Conseal CS-102 1.00" - 0' 0 lb
 - 1) Hole - 0' 0 lb
 - 2) Hole - 0' 0 lb
 - 8) PSAMERSTEPML10TDSNCR - MH Step ML-10-TDS-NCR - 0' 0 lb
- Structure Total: 7281 lb



Position	Elev	Angle	Pipe	Pipe OD	Hole	Connector	Up (L)	Ref
Rim	590.35'							
Reducer								
Invert 1	582.35'	0°	24" CMP	25"	28"	Hole 28	0"	P1
Invert 2	582.35'	97°	18" CMP	19"	22"	Hole 22	0"	P1
Invert 3	582.35'	195°	18" CMP	19"	22"	Hole 22	0"	P1
Invert 4								
Invert 5								
Invert 6								
Invert 7								
Invert 8								



Default - Interior Dimensions



Submittal Drawing
 2/10/2026 6:36:40 AM

SUBMITTAL
 APPROVED BY:

Job Name: 25-1684 KYTC Jefferson Co. Call 200 (251007)
Job Location: I-264 Louisville, Ky.
Contractor: Cleary Construction, Inc.

PC: J. Jarvis
 TECH: N. Richards
 Plant: Beaver Dam, Ky.



Structure ID: **118+35 LT JB-A INLET 13A**

Spec: KYTC
 Type: Junction Box
 Size: 24" x 36"

Rim: 585.17'
 Invert: 581.94'
 Rim to Invert: 3.23'

Sump: 0'
 Floor (Top): 581.94'
 Floor Height: 0.667'

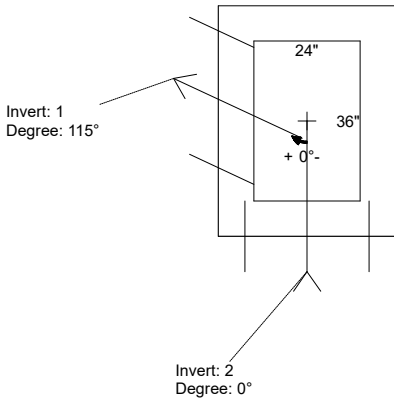
Floor (Bot): 581.273'
 Overall Height: 3.833'
 Slack: 0.063'

Structure Notes:

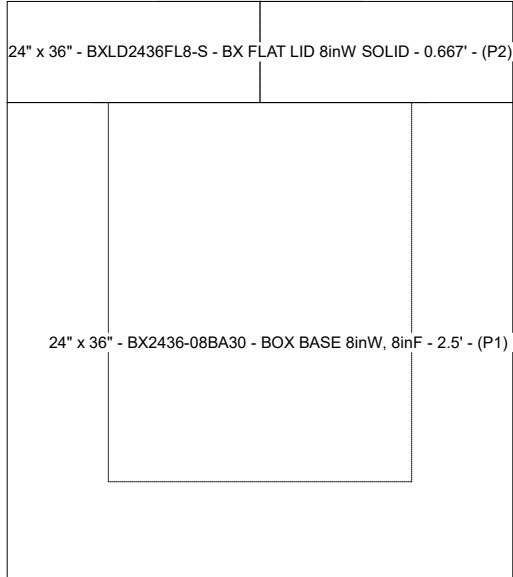
- KYTC STATE PROJECT 251007
- REINFORCING: #5 BAR @ 12" C/C E.W. (TYP.)
- CS-102 BUTYL REQUIRED (SUPPLIED BY ICAST).
- KYTC CERTIFICATIONS REQUIRED.

STRUCTURE SUMMARY:

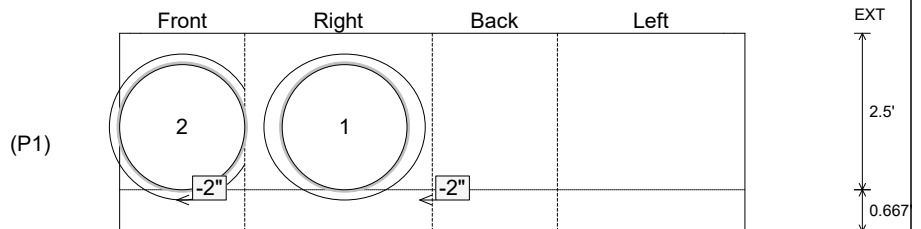
P2) 24" x 36" - BXLD2436FL8-S - BX FLAT LID 8inW SOLID - 0.667'	1396 lb
P1) 24" x 36" - BX2436-08BA30 - BOX BASE 8inW, 8inF - 2.5'	3691 lb
1) 24" x 36" - PSCONCS102-1 - Conseal CS-102 1.00" - 0'	0 lb
2) Hole - 0'	0 lb
Structure Total:	5088 lb



Position	Elev	Angle	Pipe	Pipe OD	Hole	Connector	Up (L)	Ref
Rim	585.17'							
Reducer								
Invert 1	581.94'	115°	24" CMP	25"	28"	Hole 28	-2"	P1
Invert 2	581.94'	0°	24" CMP	25"	28"	Hole 28	-2"	P1
Invert 3								
Invert 4								
Invert 5								
Invert 6								
Invert 7								
Invert 8								



Default - Interior Dimensions

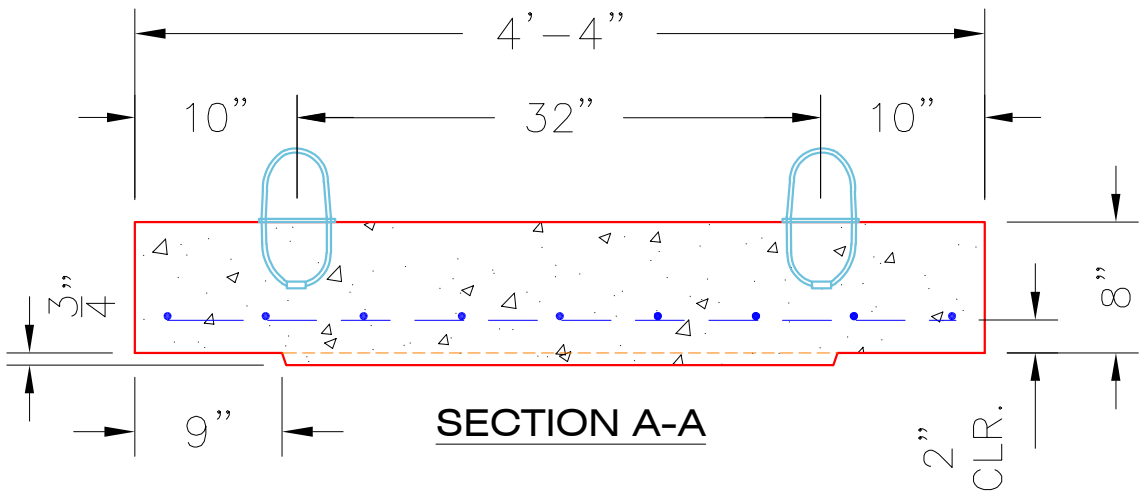
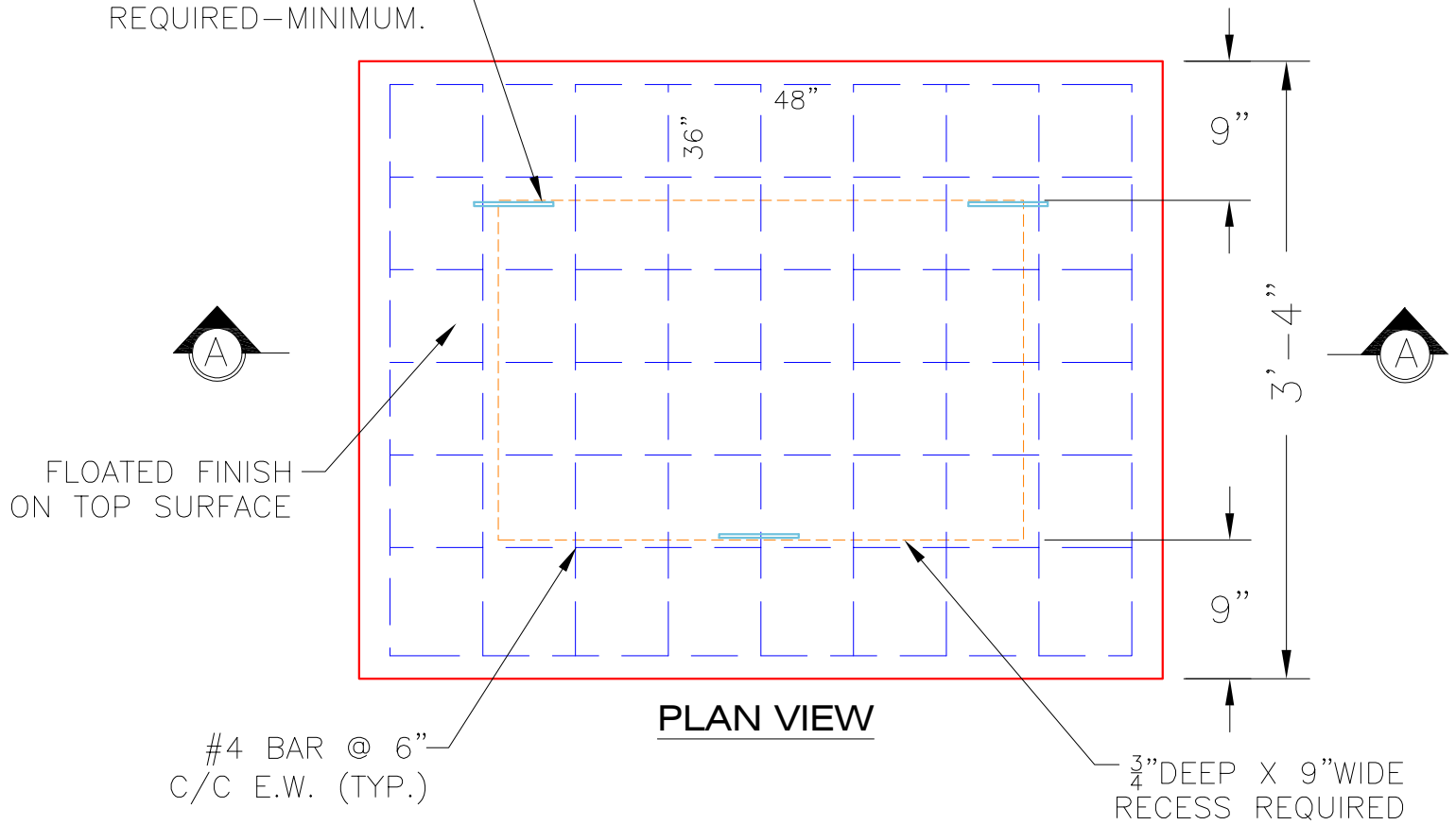


Submittal Drawing
 2/10/2026 6:36:41 AM

SUBMITTAL
 APPROVED BY:

KYTC STATE PROJECT

3 EA. CONAC .8 TON 8¹/₁₆"
(6MM) WIRE ROPE ANCHORS
REQUIRED—MINIMUM.




NOTES:

- CONCRETE: 4500 PSI @ 28 DAYS.
- MANUFACTURE TO KYTC SPECIFICATIONS.
- REINFORCING: #4 BAR @ 6" C/C E.W.—GRADE 60.
- 3 EA. CONAC WIRE LOOP LIFTERS REQUIRED.
- KYTC CERTIFICATIONS REQUIRED.

#4 BAR CUT LIST

- 7 EA. @ 48"
- 9 EA. @ 36"

PRODUCTION WORK ORDER		PRODUCT I.D.: BXL2436FL8-S	DESCRIPTION: JUNCTION BOX TOP SLAB 24"x36"x8" (SOLID)	
	QUALITY CONTROL CHECKLIST	PRODUCT VIEW: RIGHT SIDE UP	CUSTOMER: CLEARY CONSTRUCTION, INC.	
	<input type="checkbox"/> ALL DIMENSIONS CORRECT.	PLANT: BEAVER DAM, KY.	PROJECT: KYTC JEFFERSON CO. (251007)	
	<input type="checkbox"/> LIFTERS INSTALLED.	WEIGHT: 1,450 LBS.	STRUCTURE ID.: 118+35 LT INLET 13A (SEC. P2)	
	<input type="checkbox"/> NO OPENINGS.	TOP SECTION JOINT: NOT REQ'D.	SALES ORDER NO: 25-1684P3	
	<input type="checkbox"/> REINFORCING CORRECT.	BOTTOM JOINT: 3/4" RECESS	PC: J. JARVIS	DRAWING: N. RICHARDS
<input type="checkbox"/> 3/4" RECESS INSTALLED.	QC CHECK INITIALS:	DATE: 02/11/26	SCALE: NTS	PG. 1 of 1
<input type="checkbox"/> TOP EDGE STONED.				
<input type="checkbox"/> ANY PATCHWORK ACCEPTABLE.				

Job Name: 25-1684P3 KYTC Jefferson Co. Call 200 (251007)
 Job Location: I-264 Louisville, Ky.
 Contractor: Cleary Construction, Inc.

Plant: Beaver Dam, Ky.
 2/11/2026 8:59:30 AM

Tech: N. Richards
 PC: J. Jarvis



Structure ID: 117+51 LT JB-A INLET 12

P1 BX2424-08BA30

BOX BASE 8inW, 8inF

- P2) 24" x 24" - BX024024-08LD08 - CB FLAT TOP 8"W SOLID - 0.667'
- P1) 24" x 24" - BX2424-08BA30 - BOX BASE 8inW, 8inF - 2.5'
- 1) 24" x 24" - PSCONCS102-1 - Conseal CS-102 1.00" - 0'
- 1) Hole - 0'
- 1) Hole - 0'

1074 lb
 3129 lb
 0 lb
 0 lb
 0 lb

 Structure Total: 4203 lb

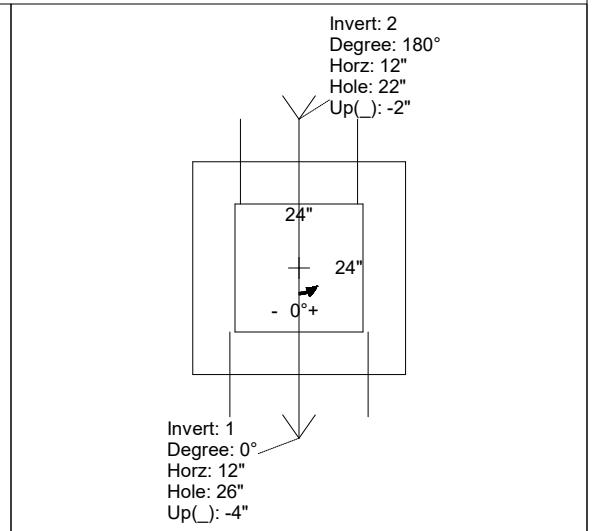
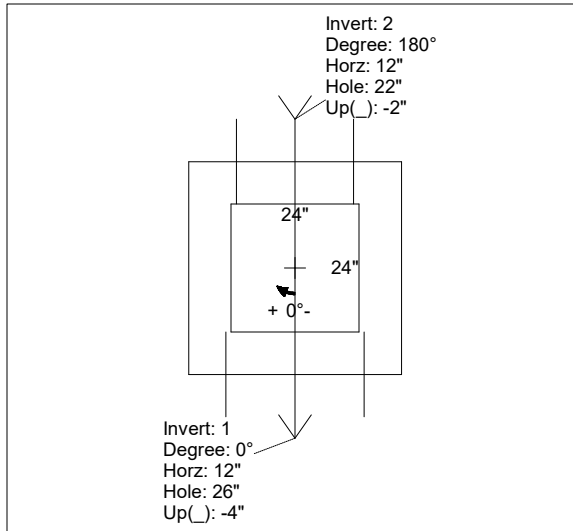
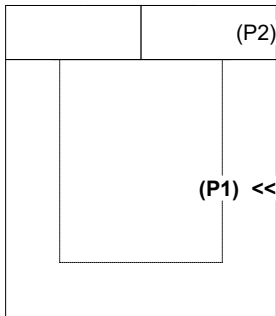
Structure Notes:
 -KYTC STATE PROJECT 251007
 -REINFORCING: #5 BAR @ 12" C/C E.W. (TYP.)
 -CS-102 BUTYL REQUIRED (SUPPLIED BY ICAST).
 -KYTC CERTIFICATIONS REQUIRED.

Rim: 586.18' Rim to Invert: 3.2' Slack: 0.033' Sump: 0' Step Position:

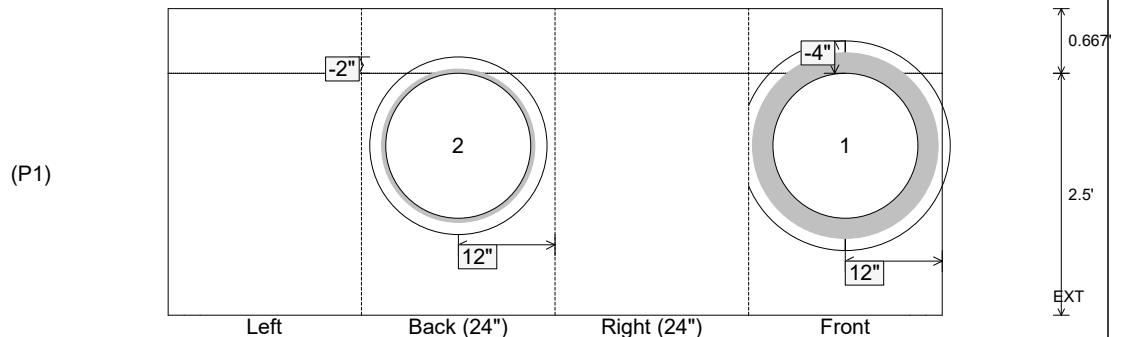
Position	Elev	Angle	Ext. (cw)	Pipe	Pipe OD	Connector	Hole	Horz Size	Up ()	Offset
Invert 1	582.98'	0°	20"	18" RCP B WALL	23"	Hole 26	26"	25"	-4"	0"
Invert 2	582.98'	180°	20"	18" CMP	19"	Hole 22	22"	22"	-2"	0"
Invert 3										
Invert 4										
Invert 5										
Invert 6										
Invert 7										
Invert 8										

RIGHT-SIDE UP VIEW (int. dimensions)

UPSIDE-DOWN VIEW (int. dimensions)



INSIDE WALL DIMENSIONS



Coating (Int):
 Coating (Ext):

Seam Up: Flat
 Seam Dn: n/a

Wall Thickness: 8"
 Floor Height: 0.667'

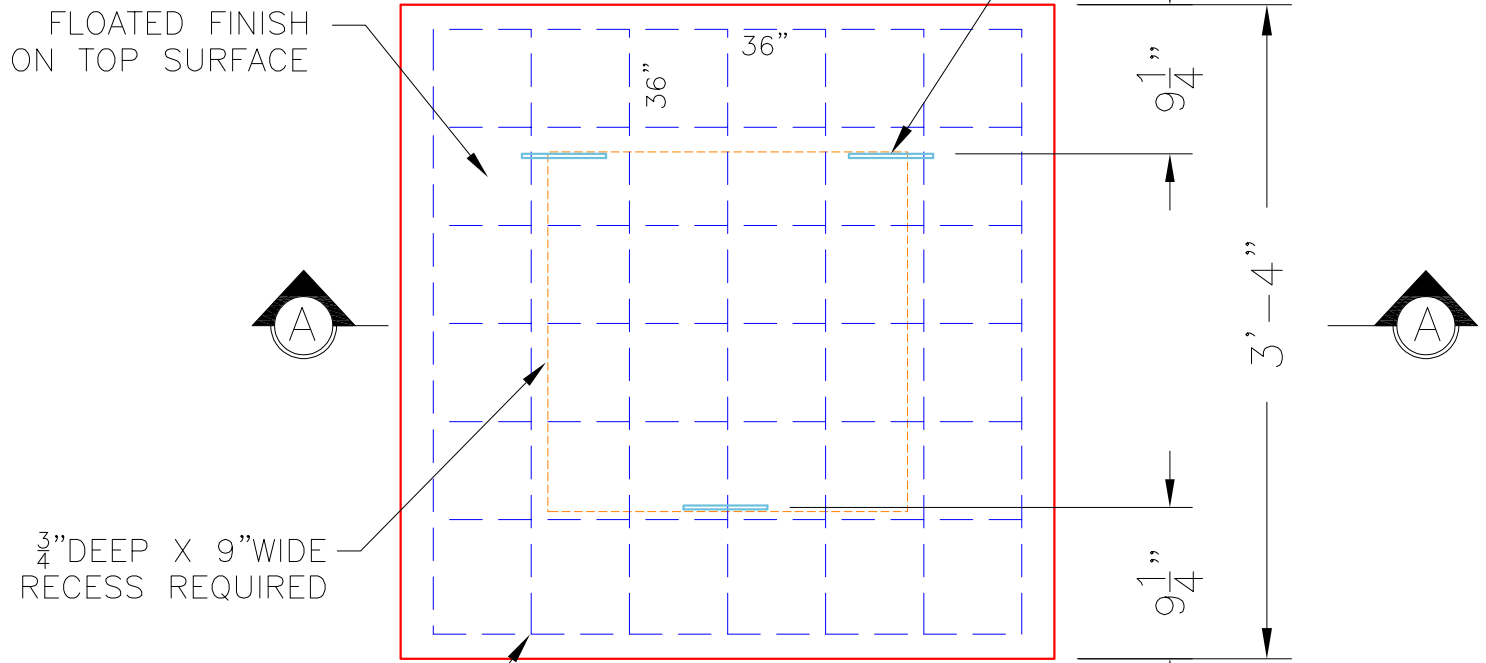
Height (Int): 2.5'
 Height (Ext): 3.167'

Weight (Net): 3129 lb
 Volume (Net): 0.8cu.yd

KYTC STATE PROJECT

FLOATED FINISH ON TOP SURFACE

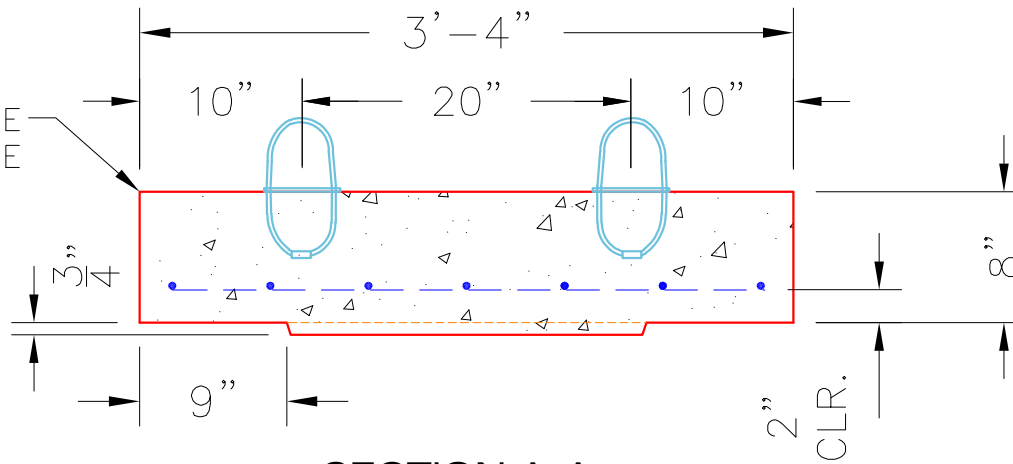
3 EA. CONAC .8 TON $8\frac{1}{16}$ " (6MM) WIRE ROPE ANCHORS REQUIRED—MINIMUM.



PLAN VIEW

#4 BAR @ 6" C/C E.W. (TYP.)

BULL NOSE TOP EDGE




SECTION A-A

NOTES:

- CONCRETE: 4500 PSI @ 28 DAYS.
- MANUFACTURE TO KYTC SPECIFICATIONS.
- REINFORCING: #4 BAR @ 6" C/C E.W.—GRADE 60. (BOTTOM LAYER ONLY)
- 3 EA. CONAC WIRE LOOP LIFTERS REQUIRED.
- KYTC CERTIFICATIONS REQUIRED.

#4 BAR CUT LIST
14 EA. @ 36"

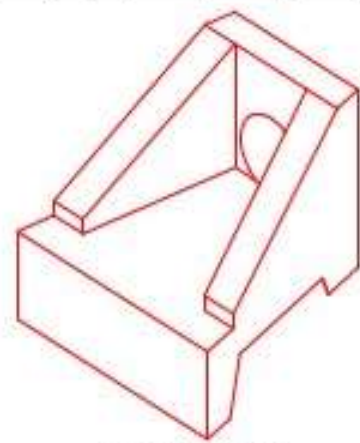
PRODUCTION WORK ORDER		PRODUCT I.D.: BX024024-08LD08S	DESCRIPTION: JUNCTION BOX TOP SLAB 24" X 24" X 8"
	QUALITY CONTROL CHECKLIST	PRODUCT VIEW: RIGHT SIDE UP	CUSTOMER: CLEARY CONSTRUCTION, INC.
	<input type="checkbox"/> ALL DIMENSIONS CORRECT.	PLANT: BEAVER DAM, KY.	PROJECT: KYTC JEFFERSON CO. 251007
	<input type="checkbox"/> LIFTERS INSTALLED.	WEIGHT: 1,121 LBS.	STRUCTURE ID.: 117+51 LT JB-A (SEC. P2)
	<input type="checkbox"/> NO OPENINGS.	TOP SECTION JOINT: NOT REQ'D.	SALES ORDER NO.: 25-1684P3
	<input type="checkbox"/> REINFORCING CORRECT.	BOTTOM JOINT: $\frac{3}{4}$ " RECESS	P.C.: J. JARVIS
<input type="checkbox"/> $\frac{3}{4}$ " RECESS INSTALLED.	QC CHECK INITIALS:	DRAWING: N. RICHARDS	
<input type="checkbox"/> TOP EDGE ROUNDED.		DATE: 02/11/26	
<input type="checkbox"/> ANY PATCHWORK ACCEPTABLE.		SCALE: NTS	
		PG. 1 of 1	

Structure ID: 118+35 HW 24-SF

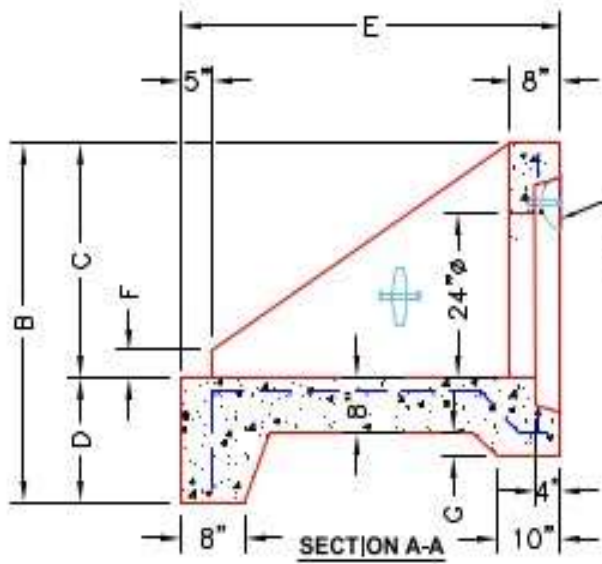
P1 HWSF24

24" - SLOPED & FLARED HEADWALL

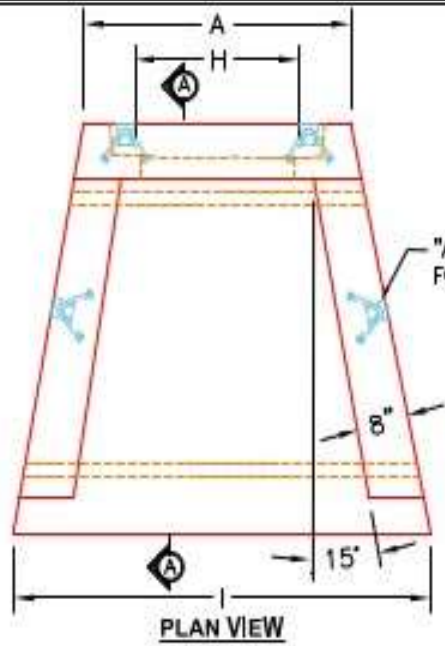
DIMENSIONS										
PIPE Ø	A	B	C	D	E	F	G	H	I	WEIGHT
24"	3'-6"	4'-4"	2'-10"	1'-6"	5'-0"	4"	3 1/2"	2'-10"	6'-0"	4,956 LBS.



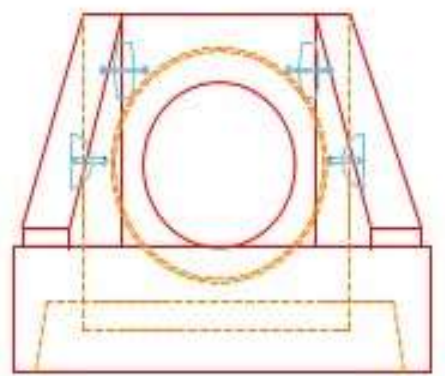
ISOMETRIC VIEW
24" HEADWALL



24"Ø TO 34"Ø STEPPED HOLE FORMER FOR 24"Ø PIPE. 24"Ø TO BE FLUSH WITH FLOOR.




PLAN VIEW



FRONT ELEVATION

~NOTES:

1. CONCRETE: 4500 PSI @ 28 DAYS.
2. REINFORCING: #4 BAR @ 12" C/C E.W.-GRADE 60, (WITH 2" CONCRETE COVER MINIMUM)
3. REINFORCING BARS TO BE TACK WELDED OR TIED.
4. DRAWING TO BE USED IN CONJUNCTION WITH KYTC STD. DRAWING RDH-020-03 AND THE STANDARD SPECIFICATIONS FOR ROAD AND BRIDGE CONSTRUCTION.
5. 1/8" CHAMFER ON ALL EXPOSED EDGES.

PRODUCTION WORK ORDER		PRODUCT I.D.: HWSF24	DESCRIPTION: KYTC 24"Ø SLOPED & FLARED HEADWALL
	QUALITY CONTROL CHECKLIST	PRODUCT VIEW: RIGHT SIDE UP	CUSTOMER: STOCK
	<input type="checkbox"/> ALL DIMENSIONS CORRECT.	PLANT: BEAVER DAM, KY.	PROJECT: STOCK INVENTORY
	<input type="checkbox"/> LIFTERS INSTALLED.	WEIGHT: 4,956 LBS.	STRUCTURE ID.: N/A
	<input type="checkbox"/> STEPPED HF CORRECT SIZE.	TOP SECTION JOINT: N/A	QUOTE/SALES ORDER NO: N/A
	<input type="checkbox"/> REINFORCING CORRECT.	BASE SECTION JOINT: N/A	CHECK: J.H. ROSS, PE
<input type="checkbox"/> DISSIPATOR BLOCK INSTALLED.	QC CHECK INITIALS:	DATE: REV. 4/22/24	DRAWING: N. RICHARDS
<input type="checkbox"/> EDGES CHAMFERED.		SCALE: NTS	PG. 1 of 1
<input type="checkbox"/> ALL PATCHWORK ACCEPTABLE.			

Stacking Req'd

Stacking Req'd

