

**Job Name: 25-1684P3 KYTC Jefferson Co. Call 200 (251007)**  
**Job Location: I-264 Louisville, Ky.**  
**Contractor: Cleary Construction, Inc.**

PC: J. Jarvis  
 TECH: N. Richards  
 Plant: Beaver Dam, Ky.



Structure ID: 118+35 LT JB-A INLET 13A  
 Spec: KYTC  
 Type: Junction Box  
 Size: 24" x 36"

Rim: 585.17'  
 Invert: 581.94'  
 Rim to Invert: 3.23'

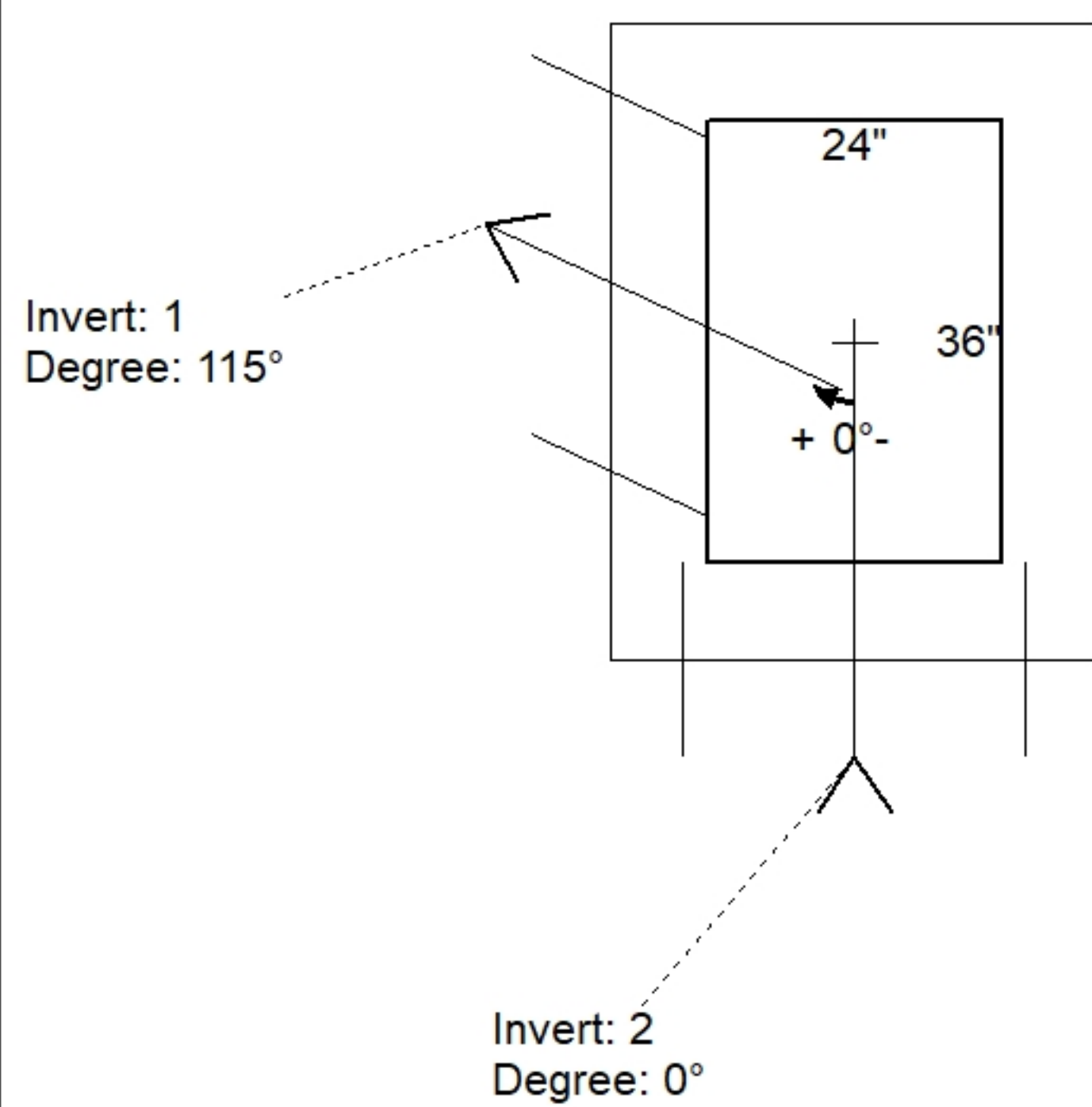
Sump: 0'  
 Floor (Top): 581.94'  
 Floor Height: 0.667'

Floor (Bot): 581.273'  
 Overall Height: 3.833'  
 Slack: 0.063'

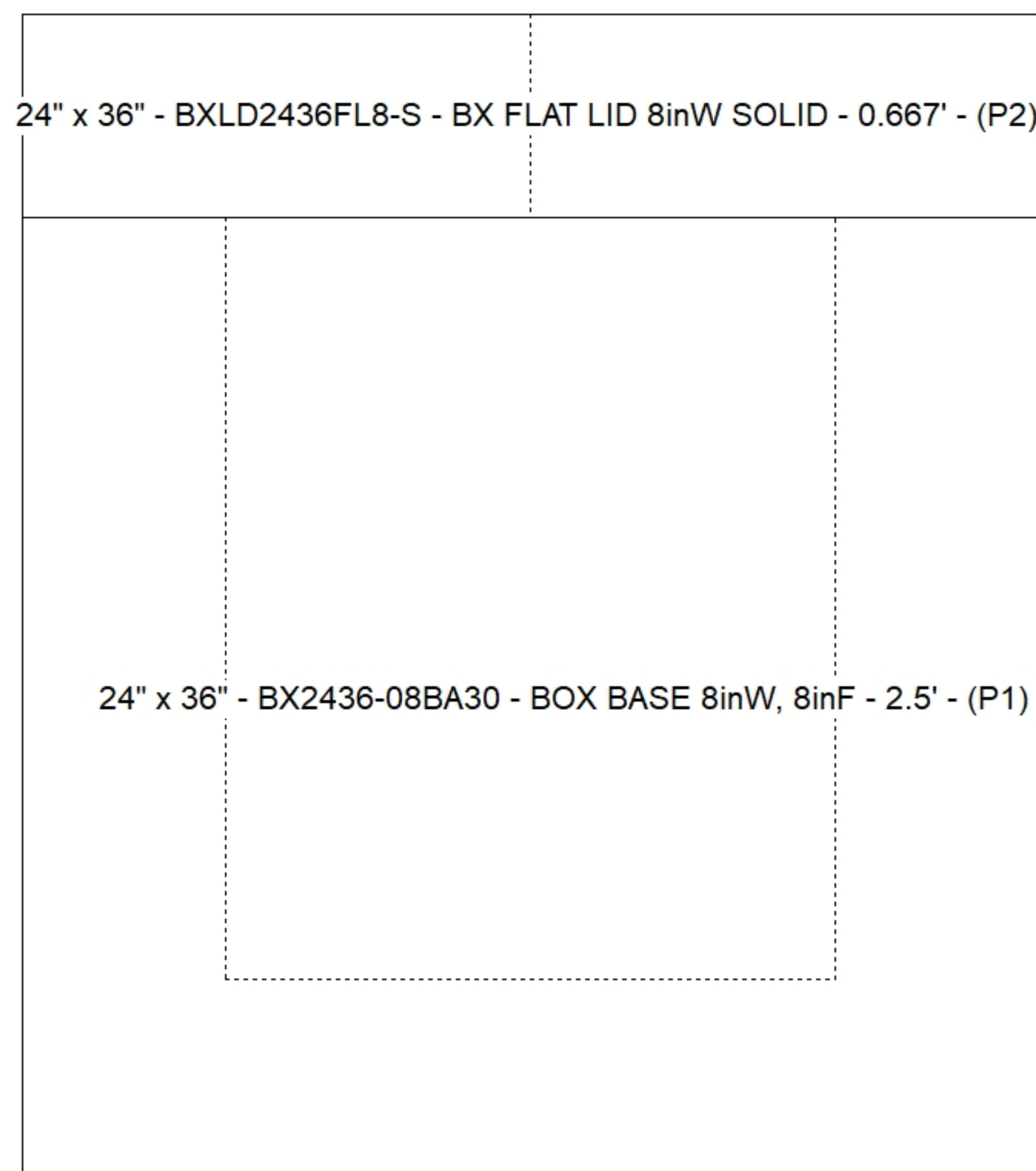
**Structure Notes:**  
 -KYTC STATE PROJECT 251007  
 -REINFORCING: #5 BAR @ 12" C/C E.W. (TYP.)  
 -CS-102 BUTYL REQUIRED (SUPPLIED BY ICAST).  
 -KYTC CERTIFICATIONS REQUIRED.

**STRUCTURE SUMMARY:**

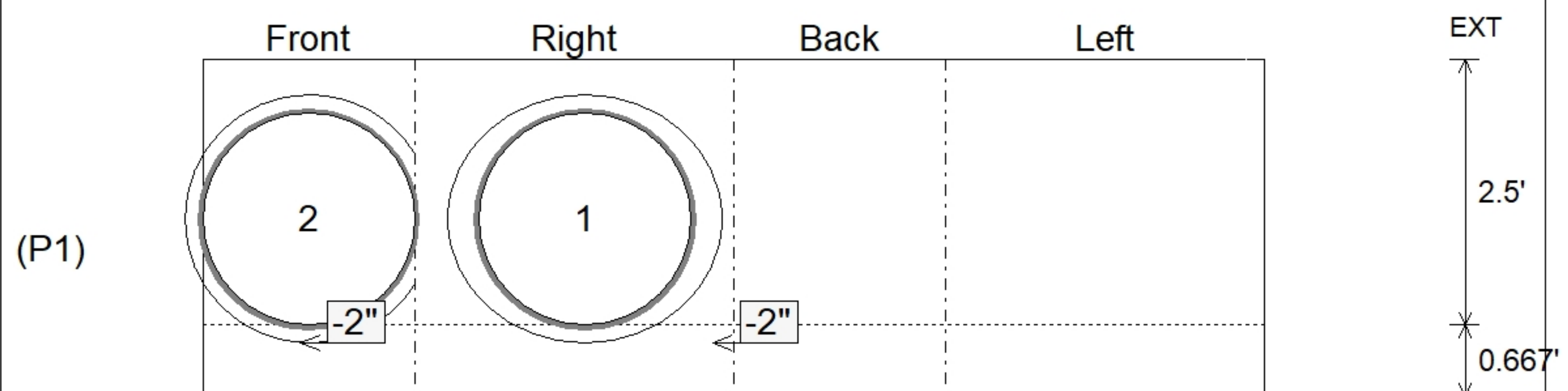
P2) 24" x 36" - BXLD2436FL8-S - BX FLAT LID 8inW SOLID - 0.667'	1396 lb
P1) 24" x 36" - BX2436-08BA30 - BOX BASE 8inW, 8inF - 2.5'	3691 lb
1) 24" x 36" - PSCONCS102-1 - Conseal CS-102 1.00" - 0'	0 lb
2) Hole - 0'	0 lb
<b>Structure Total:</b>	<b>5088 lb</b>



Position	Elev	Angle	Pipe	Pipe OD	Hole	Connector	Up (L)	Ref
Rim	585.17'							
Reducer								
Invert 1	581.94'	115°	24" CMP	25"	28"	Hole 28	-2"	P1
Invert 2	581.94'	0°	24" CMP	25"	28"	Hole 28	-2"	P1
Invert 3								
Invert 4								
Invert 5								
Invert 6								
Invert 7								
Invert 8								



**Default - Interior Dimensions**



Submittal Drawing  
 2/11/2026 8:48:02 AM

SUBMITTAL  
 APPROVED BY: