

Structure ID: 118+35 LT JB-A INLET 13A

P1 BX2436-08BA30 BOX BASE 8inW, 8inF

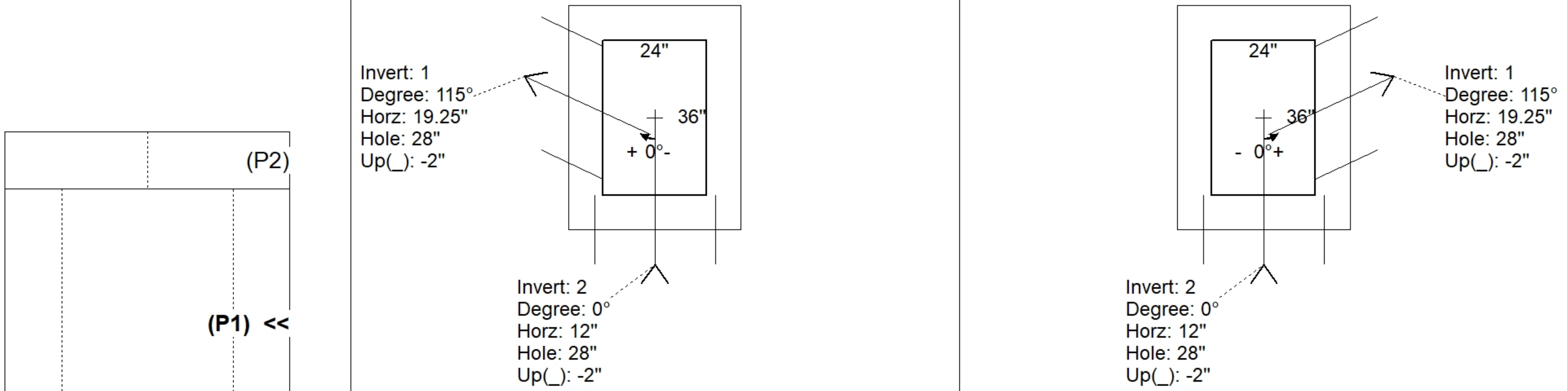
P2) 24" x 36" - BXLD2436FL8-S - BX FLAT LID 8inW SOLID - 0.667' P1) 24" x 36" - BX2436-08BA30 - BOX BASE 8inW, 8inF - 2.5' 1) 24" x 36" - PSCONCS102-1 - Conseal CS-102 1.00" - 0' 2) Hole - 0'	1396 lb 3691 lb 0 lb 0 lb <hr style="width: 50px; margin: 0;"/> Structure Total: 5088 lb	Structure Notes: -KYTC STATE PROJECT 251007 -REINFORCING: #5 BAR @ 12" C/C E.W. (TYP.) -CS-102 BUTYL REQUIRED (SUPPLIED BY ICAST). -KYTC CERTIFICATIONS REQUIRED.
--	--	--

Rim: 585.17' Rim to Invert: 3.23' Slack: 0.063' Sump: 0' Step Position:

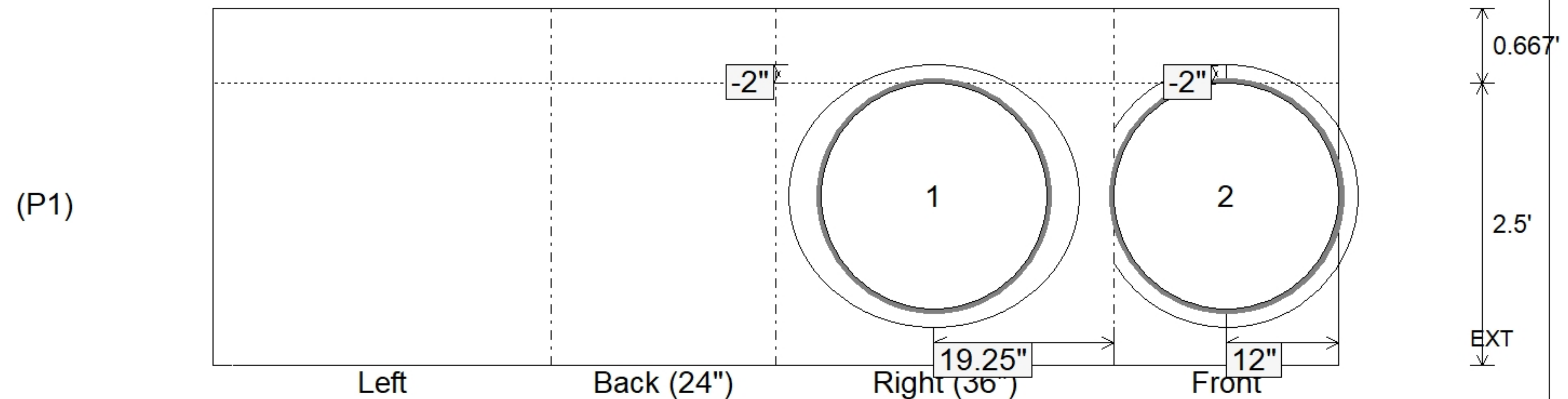
Position	Elev	Angle	Ext. (cw)	Pipe	Pipe OD	Connector	Hole	Horz Size	Up ()	Offset
Invert 1	581.94'	115°	31"	24" CMP	25"	Hole 28	28"	30.895"	-2"	-4"
Invert 2	581.94'	0°	20"	24" CMP	25"	Hole 28	28"	26"	-2"	0"
Invert 3										
Invert 4										
Invert 5										
Invert 6										
Invert 7										
Invert 8										

RIGHT-SIDE UP VIEW (int. dimensions)

UPSIDE-DOWN VIEW (int. dimensions)



INSIDE WALL DIMENSIONS



Coating (Int):	Seam Up: Flat	Wall Thickness: 8"	Height (Int): 2.5'	Weight (Net): 3691 lb
Coating (Ext):	Seam Dn: n/a	Floor Height: 0.667'	Height (Ext): 3.167'	Volume (Net): 0.94cu.yd