

**Job Name: 25-1684P3 KYTC Jefferson Co. Call 200 (251007)**  
**Job Location: I-264 Louisville, Ky.**  
**Contractor: Cleary Construction, Inc.**

PC: J. Jarvis  
 TECH: N. Richards  
 Plant: Beaver Dam, Ky.



Structure ID: 117+51 LT MH-A INLET 13

Spec: KYTC Rim: 590.35'  
 Type: MH A Invert: 582.35'  
 Size: 48" Rim to Invert: 8'

Sump: 0.167'  
 Floor (Top): 582.183'  
 Floor Height: 0.5'

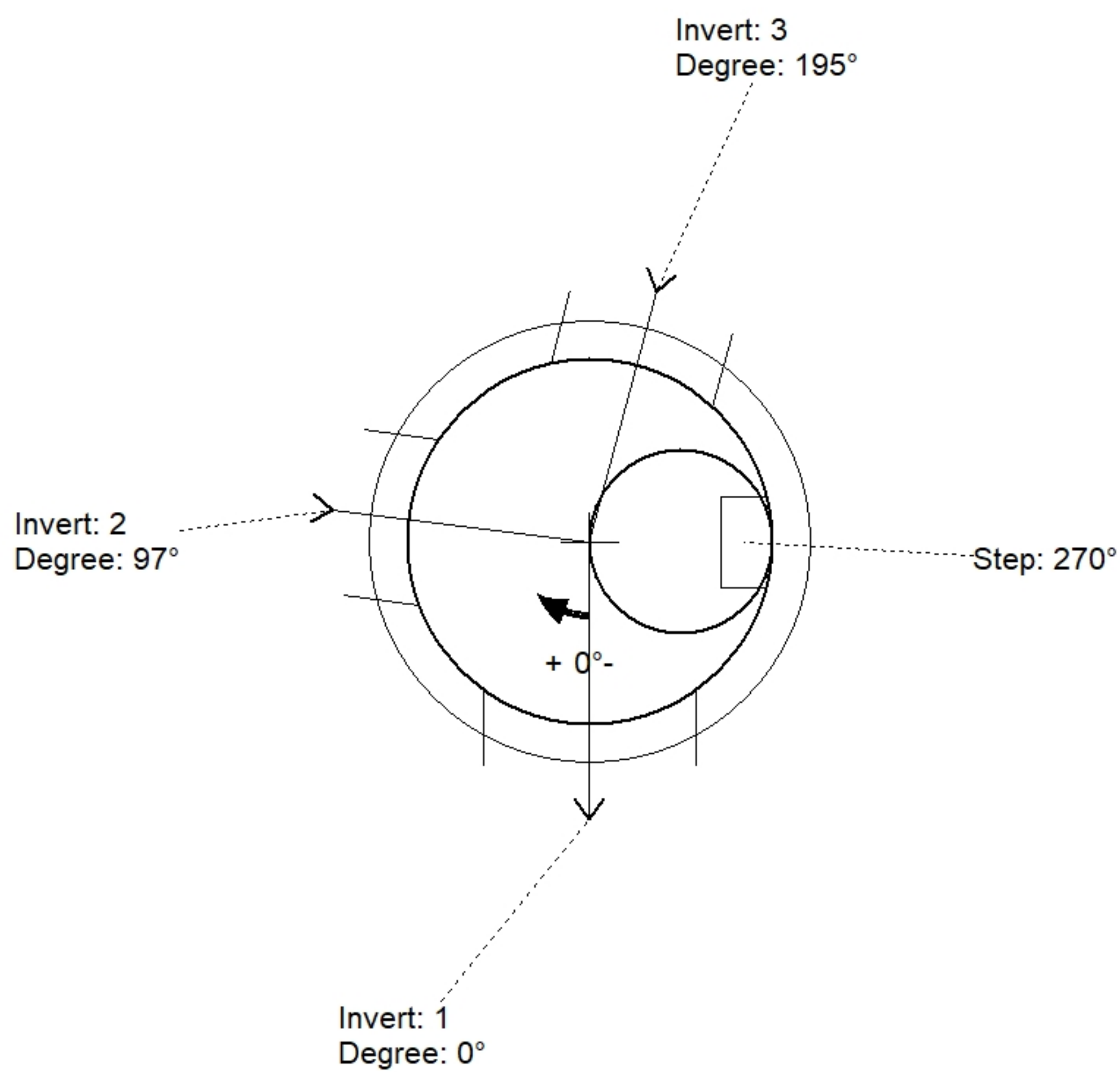
Floor (Bot): 581.683'  
 Overall Height: 8.667'  
 Slack: 0'

**Structure Notes:**

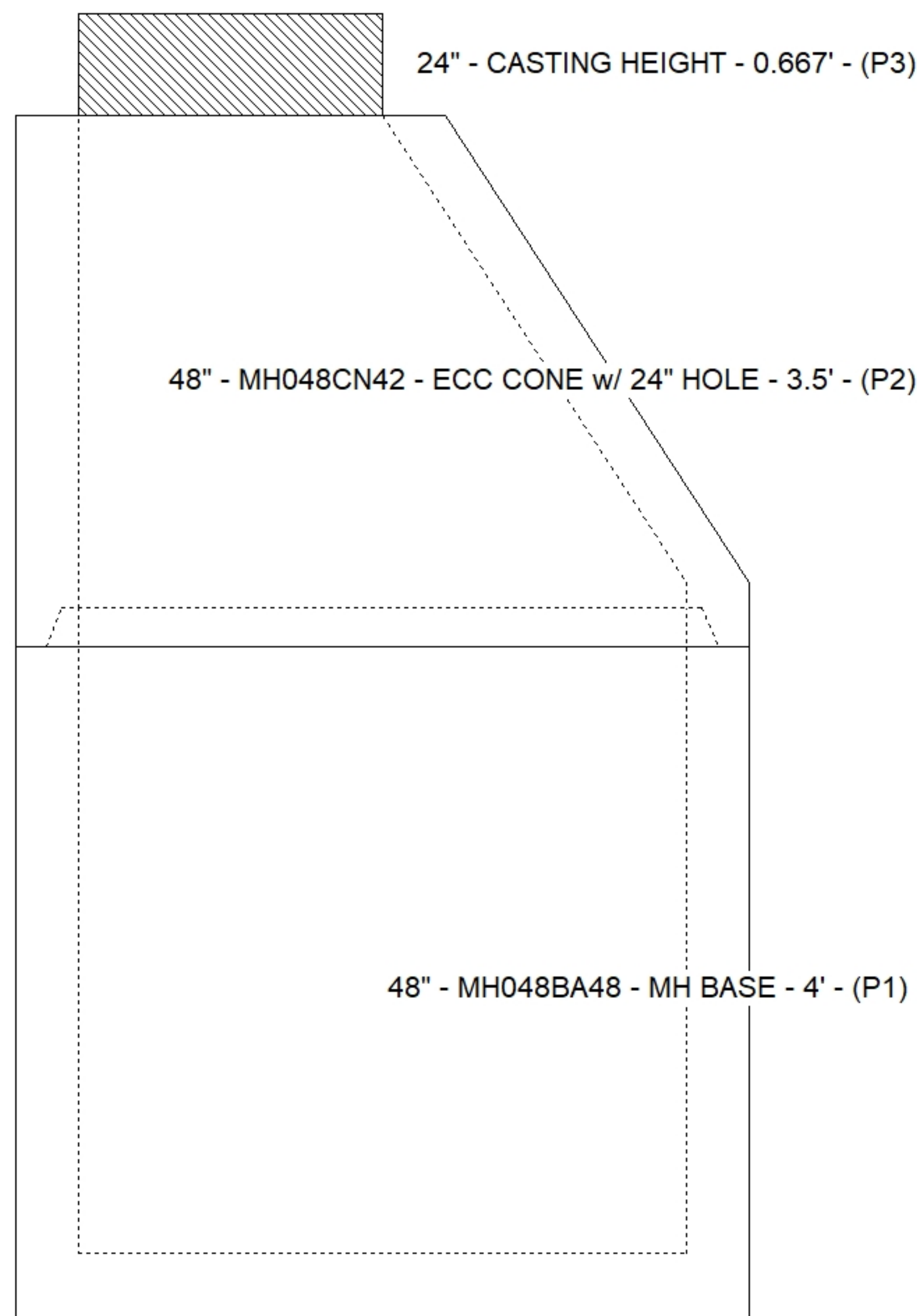
- KYTC STATE PROJECT 251007
- REINFORCING: PER ASTM C-478 SPECIFICATIONS.
- TYPE 2 MANHOLE FRAME & COVER (BY OTHERS).
- CS-102 BUTYL REQUIRED (SUPPLIED BY ICAST).
- KYTC CERTIFICATIONS REQUIRED.

**STRUCTURE SUMMARY:**

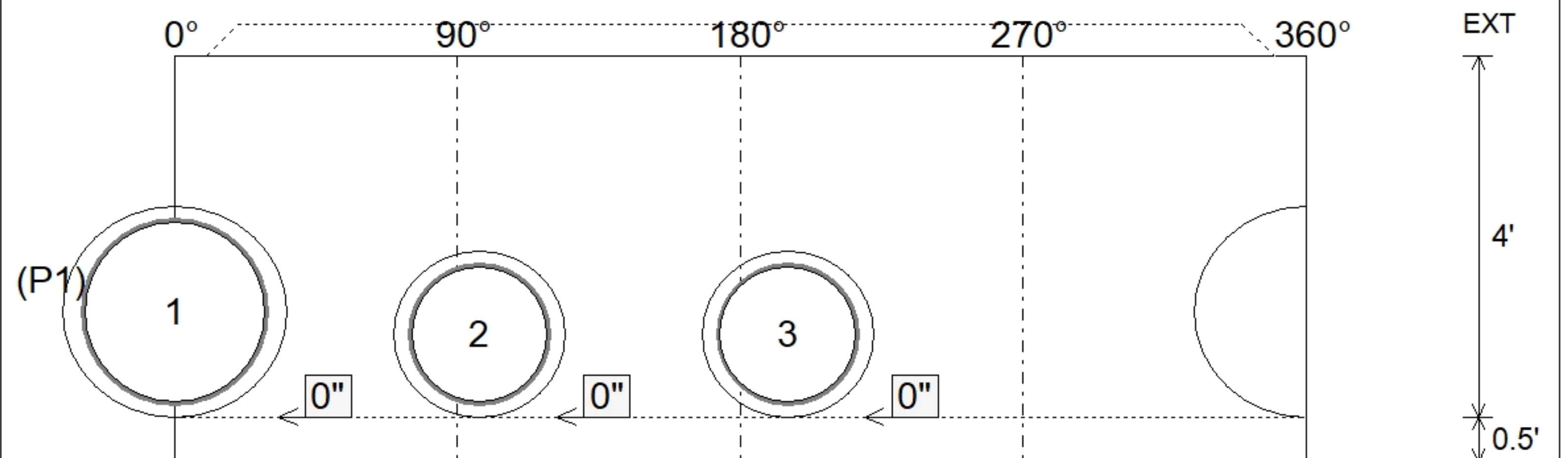
P3) 24" - CASTING HEIGHT - 0.667'	0 lb
P2) 48" - MH048CN42 - ECC CONE w/ 24" HOLE - 3.5'	3200 lb
P1) 48" - MH048BA48 - MH BASE - 4'	4081 lb
1) 48" - PSCONCS102-1 - Conseal CS-102 1.00" - 0'	0 lb
1) Hole - 0'	0 lb
2) Hole - 0'	0 lb
8) PSAMERSTEPML10TDSNCR - MH Step ML-10-TDS-NCR - 0'	0 lb
<b>Structure Total:</b>	<b>7281 lb</b>



Position	Elev	Angle	Pipe	Pipe OD	Hole	Connector	Up (L)	Ref
Rim	590.35'							
Reducer								
Invert 1	582.35'	0°	24" CMP	25"	28"	Hole 28	0"	P1
Invert 2	582.35'	97°	18" CMP	19"	22"	Hole 22	0"	P1
Invert 3	582.35'	195°	18" CMP	19"	22"	Hole 22	0"	P1
Invert 4								
Invert 5								
Invert 6								
Invert 7								
Invert 8								



**Default - Interior Dimensions**



Submittal Drawing  
 2/11/2026 8:48:01 AM

SUBMITTAL  
 APPROVED BY: