

Structure ID: 117+51 LT MH-A INLET 13

P1 MH048BA48 MH BASE

P3) 24" - CASTING HEIGHT - 0.667' P2) 48" - MH048CN42 - ECC CONE w/ 24" HOLE - 3.5' P1) 48" - MH048BA48 - MH BASE - 4' 1) 48" - PSCONCS102-1 - Conseal CS-102 1.00" - 0' 1) Hole - 0' 2) Hole - 0' 8) PSAMERSTEPML10TDSNCR - MH Step ML-10-TDS-NCR - 0'	0 lb 3200 lb 4081 lb 0 lb 0 lb 0 lb 0 lb 0 lb _____ Structure Total: 7281 lb
---	---

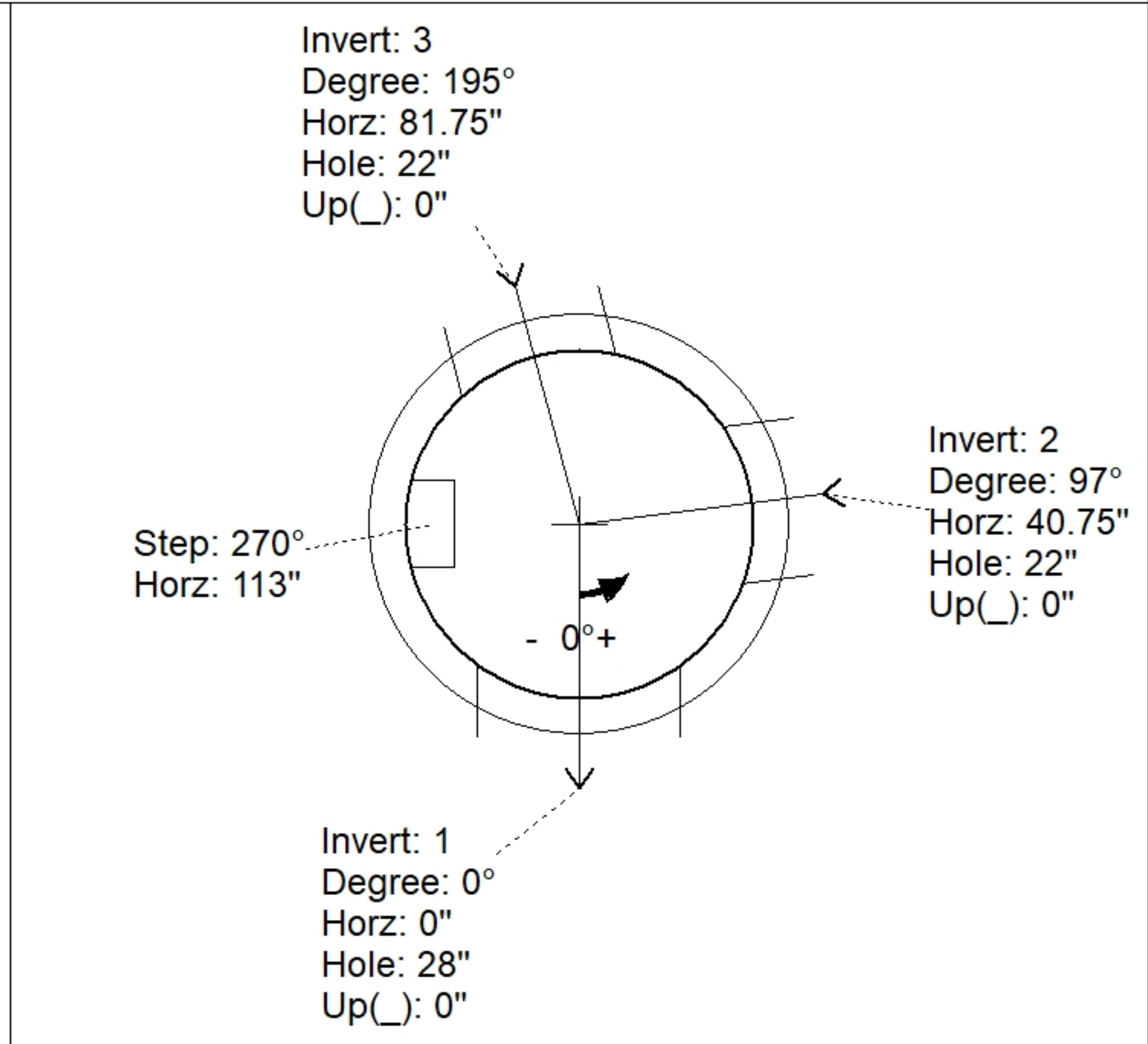
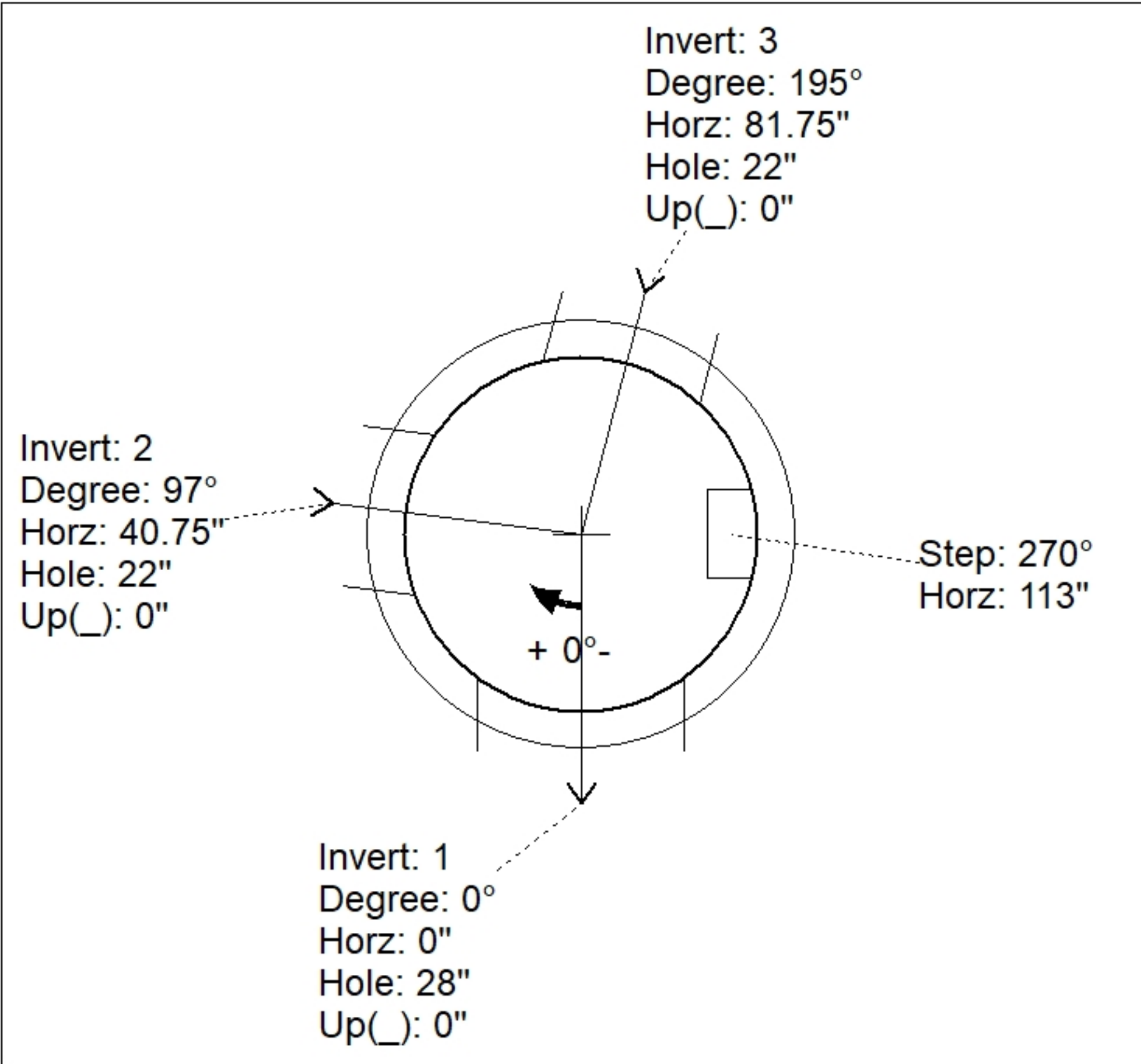
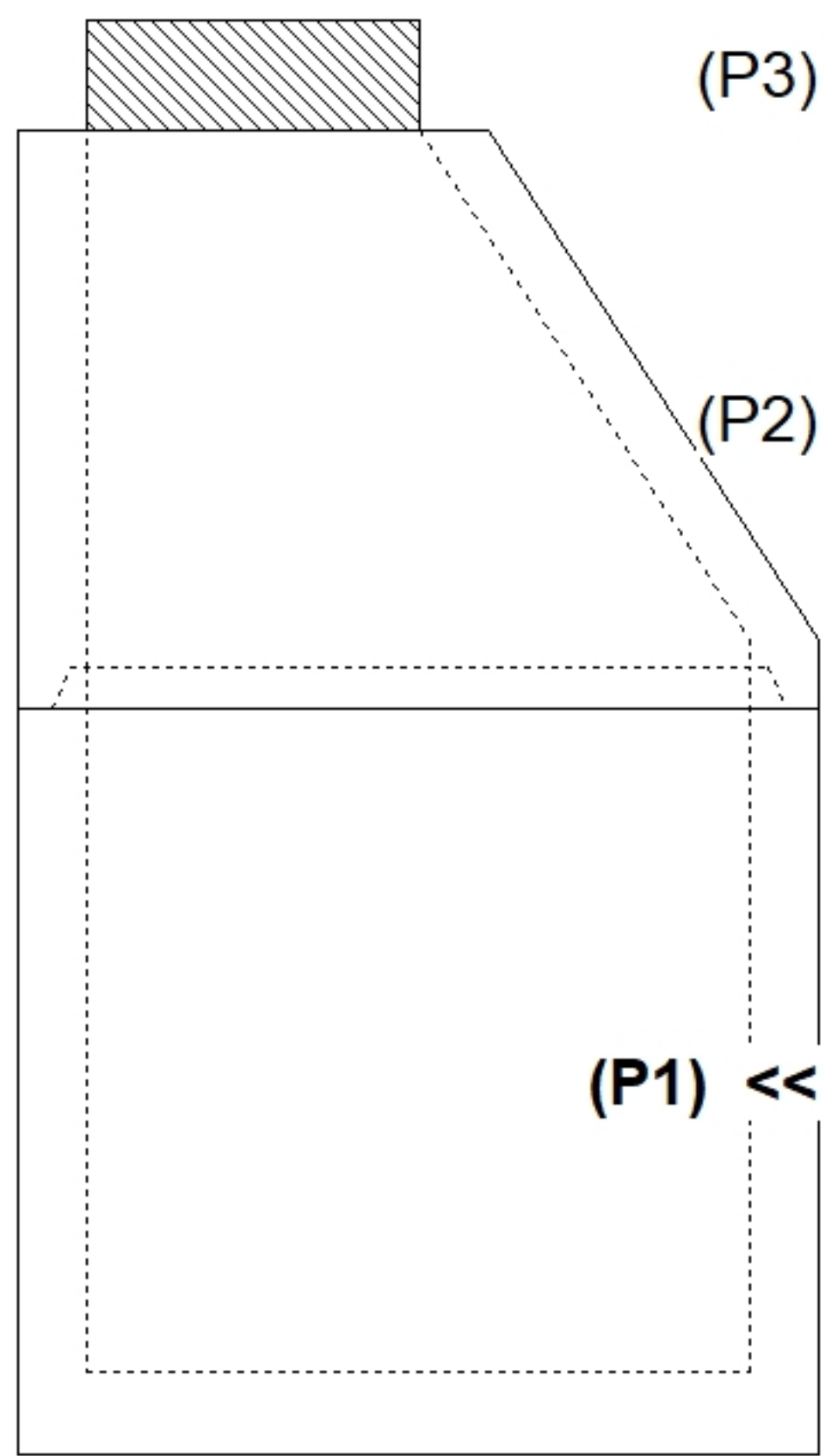
Structure Notes:
 -KYTC STATE PROJECT 251007
 -REINFORCING: PER ASTM C-478 SPECIFICATIONS.
 -TYPE 2 MANHOLE FRAME & COVER (BY OTHERS).
 -CS-102 BUTYL REQUIRED (SUPPLIED BY ICAST).
 -KYTC CERTIFICATIONS REQUIRED.

Rim: 590.35' Rim to Invert: 8' Slack: 0' Sump: 0.167' Step Position: 270

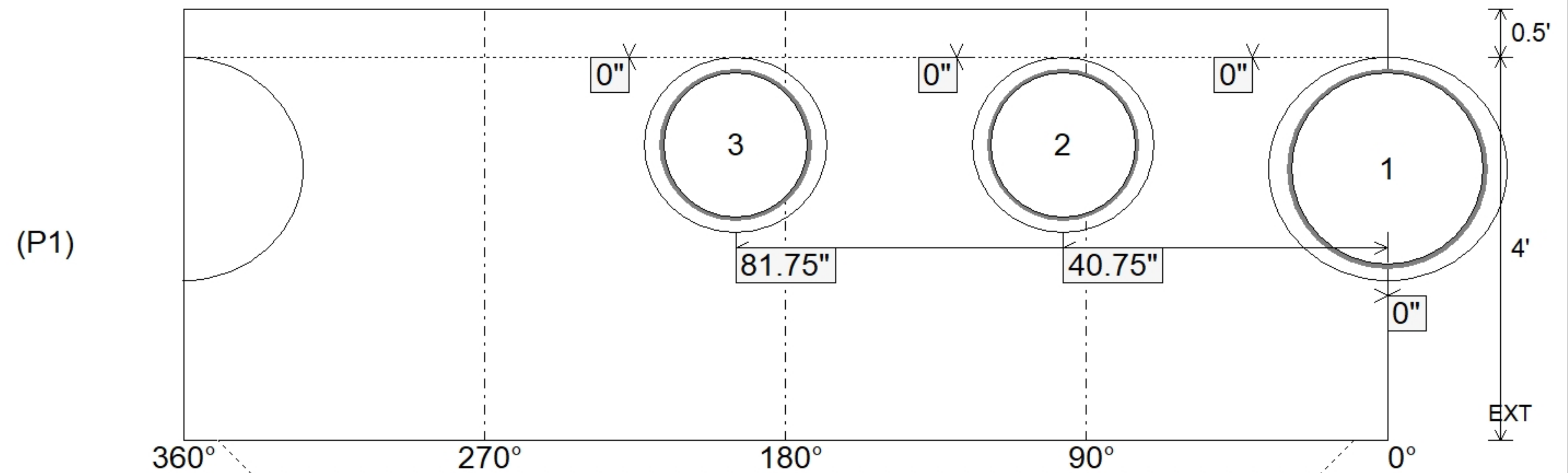
Position	Elev	Angle	Ext. (cw)	Pipe	Pipe OD	Connector	Hole	Horz Size	Up ()	Offset
Invert 1	582.35'	0°	0"	24" CMP	25"	Hole 28	28"	29.896"	0"	0"
Invert 2	582.35'	97°	49"	18" CMP	19"	Hole 22	22"	22.854"	0"	0"
Invert 3	582.35'	195°	98.75"	18" CMP	19"	Hole 22	22"	22.854"	0"	0"
Invert 4										
Invert 5										
Invert 6										
Invert 7										
Invert 8										

RIGHT-SIDE UP VIEW (int. dimensions)

UPSIDE-DOWN VIEW (int. dimensions)



INSIDE WALL DIMENSIONS



Coating (Int): Coating (Ext):	Seam Up: Tongue Seam Dn: n/a	Wall Thickness: 5" Floor Height: 0.5'	Height (Int): 4' Height (Ext): 4.5'	Weight (Net): 4081 lb Volume (Net): 1.04cu.yd
----------------------------------	---------------------------------	--	--	--