

**Job Name: 25-1684P3 KYTC Jefferson Co. Call 200 (251007)**  
**Job Location: I-264 Louisville, Ky.**  
**Contractor: Cleary Construction, Inc.**

PC: J. Jarvis  
 TECH: N. Richards  
 Plant: Beaver Dam, Ky.



Structure ID: 117+51 LT JB-A INLET 12

Spec: KYTC  
 Type: Junction Box  
 Size: 24" x 24"

Rim: 586.18'  
 Invert: 582.98'  
 Rim to Invert: 3.2'

Sump: 0'  
 Floor (Top): 582.98'  
 Floor Height: 0.667'

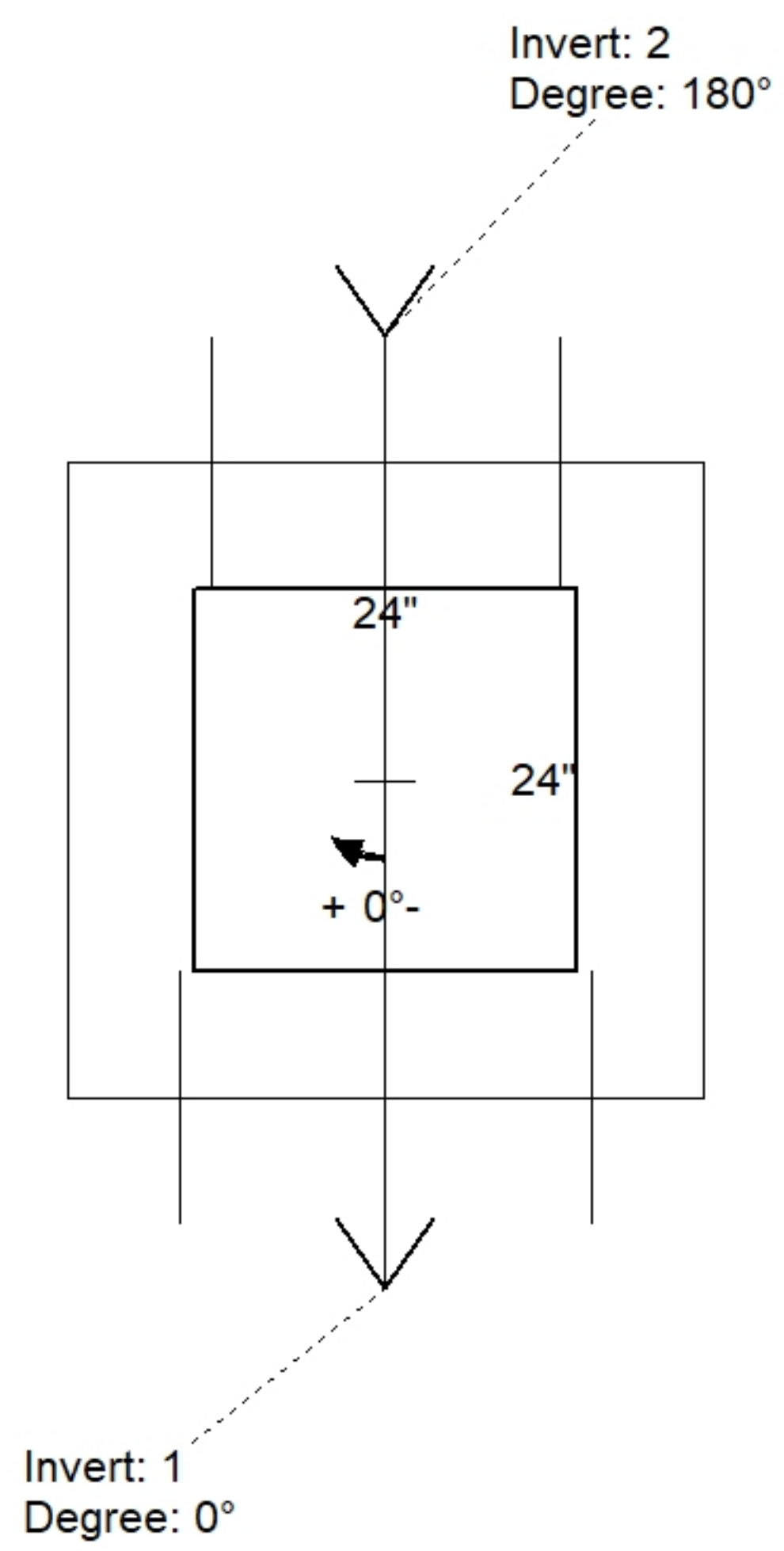
Floor (Bot): 582.313'  
 Overall Height: 3.833'  
 Slack: 0.033'

**Structure Notes:**

- KYTC STATE PROJECT 251007
- REINFORCING: #5 BAR @ 12" C/C E.W. (TYP.)
- CS-102 BUTYL REQUIRED (SUPPLIED BY ICAST).
- KYTC CERTIFICATIONS REQUIRED.

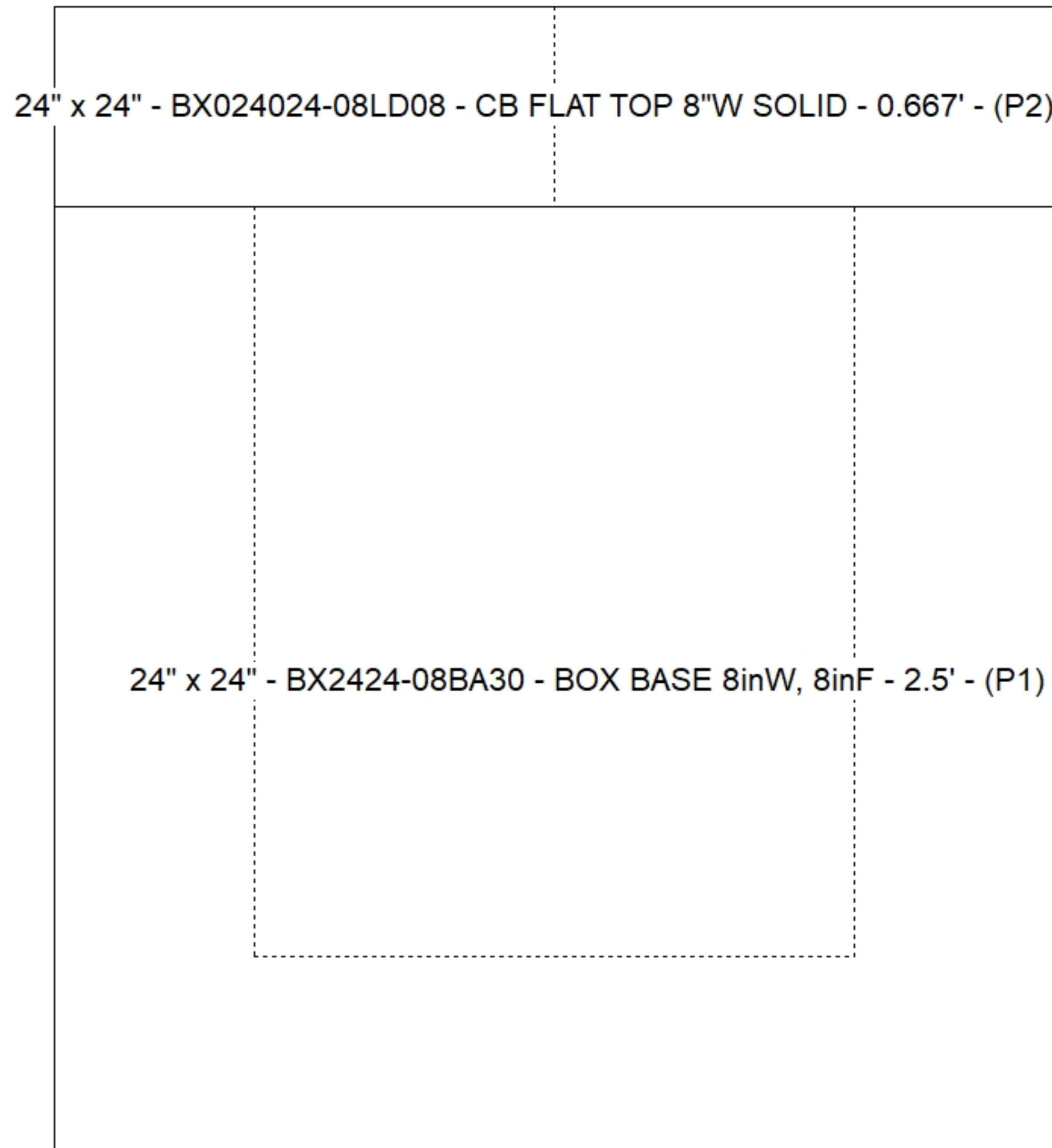
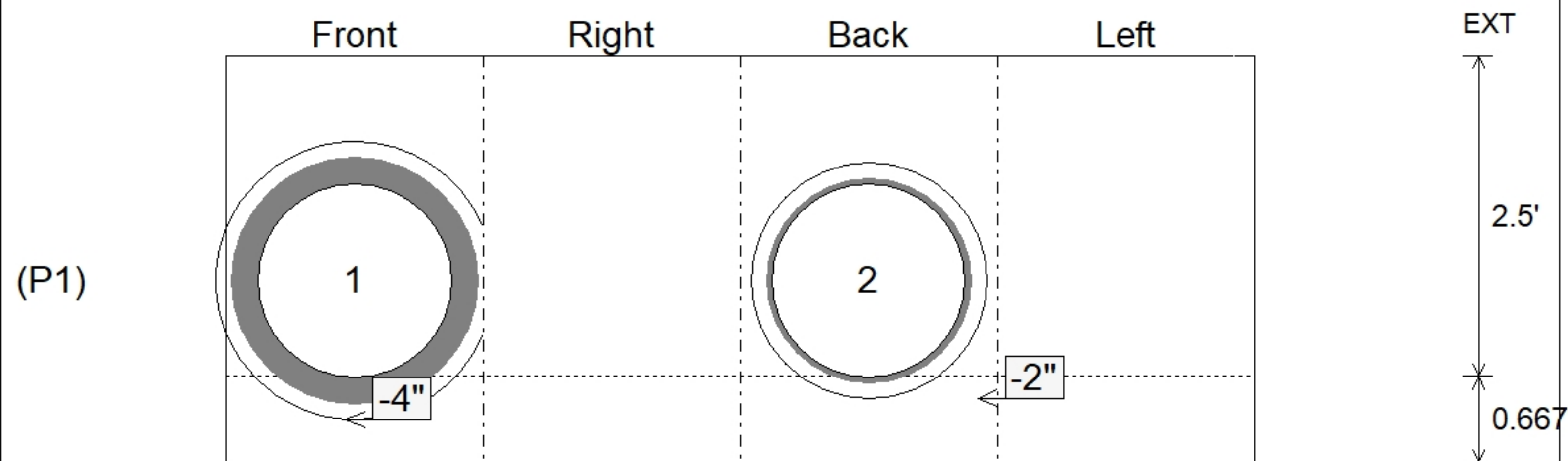
**STRUCTURE SUMMARY:**

P2) 24" x 24" - BX024024-08LD08 - CB FLAT TOP 8"W SOLID - 0.667'	1074 lb
P1) 24" x 24" - BX2424-08BA30 - BOX BASE 8inW, 8inF - 2.5'	3129 lb
1) 24" x 24" - PSCONCS102-1 - Conseal CS-102 1.00" - 0'	0 lb
1) Hole - 0'	0 lb
1) Hole - 0'	0 lb
<b>Structure Total:</b>	<b>4203 lb</b>



Position	Elev	Angle	Pipe	Pipe OD	Hole	Connector	Up (")	Ref
Rim	586.18'							
Reducer								
Invert 1	582.98'	0°	18" RCP B WALL	23"	26"	Hole 26	-4"	P1
Invert 2	582.98'	180°	18" CMP	19"	22"	Hole 22	-2"	P1
Invert 3								
Invert 4								
Invert 5								
Invert 6								
Invert 7								
Invert 8								

**Default - Interior Dimensions**



Submittal Drawing  
 2/11/2026 8:48:02 AM

SUBMITTAL  
 APPROVED BY: