

**Job Name: 25-1684P3 KYTC Jefferson Co. Call 200 (251007)**  
**Job Location: I-264 Louisville, Ky.**  
**Contractor: Cleary Construction, Inc.**

PC: J. Jarvis  
 TECH: N. Richards  
 Plant: Beaver Dam, Ky.



Structure ID: 117+32 LT MH-A INLET 9

Spec: KYTC Rim: 590.3'  
 Type: MH A Invert: 583.41'  
 Size: 48" Rim to Invert: 6.89'

Sump: 0.167'  
 Floor (Top): 583.243'  
 Floor Height: 0.5'

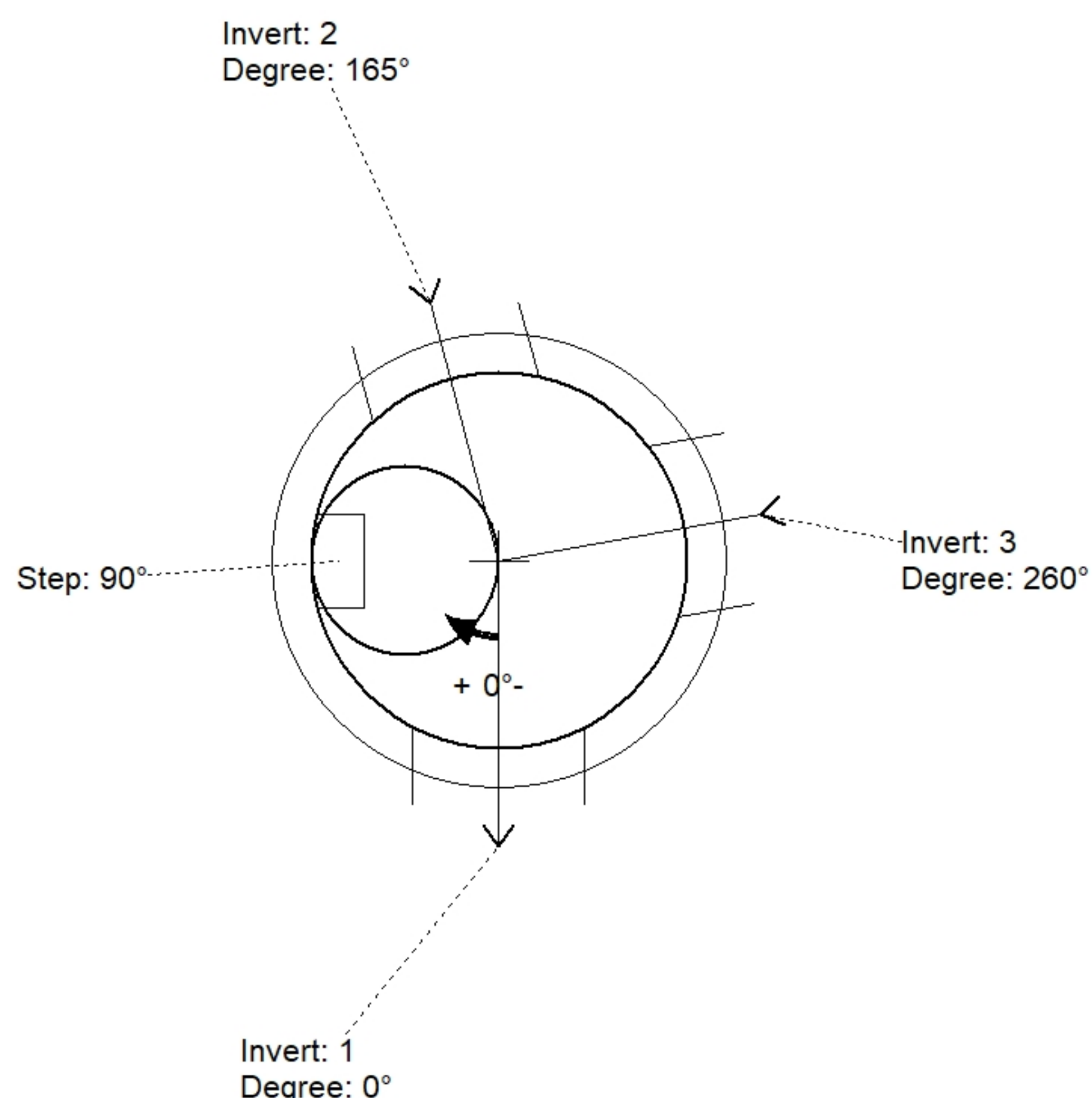
Floor (Bot): 582.743'  
 Overall Height: 7.5'  
 Slack: 0.057'

**Structure Notes:**

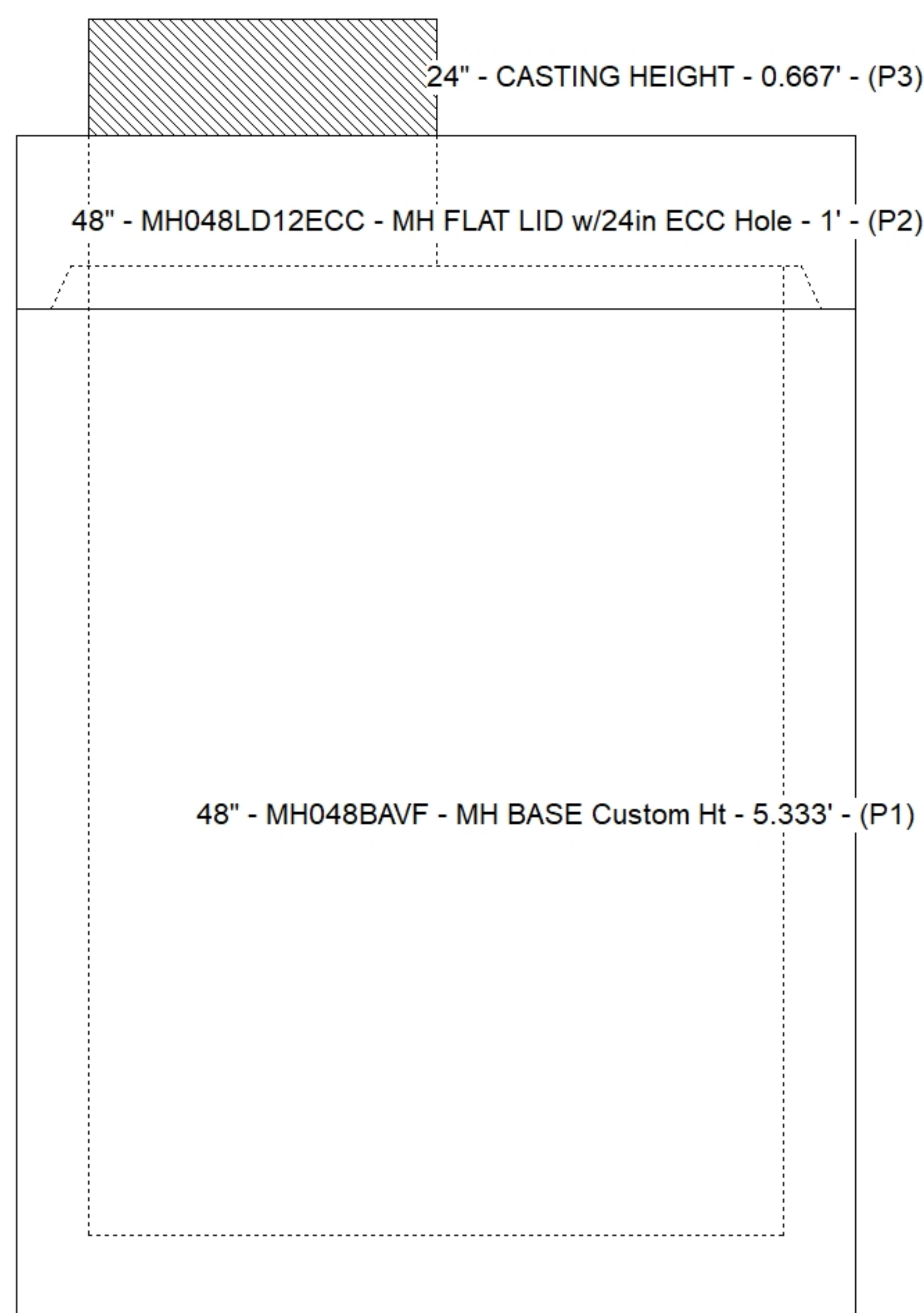
- KYTC STATE PROJECT 251007
- REINFORCING: PER ASTM C-478 SPECIFICATIONS.
- TYPE 2 MANHOLE FRAME & COVER (BY OTHERS).
- CS-102 BUTYL REQUIRED (SUPPLIED BY ICAST).
- KYTC CERTIFICATIONS REQUIRED.
- VERIFY EXISTING 15" RCP I.E.

**STRUCTURE SUMMARY:**

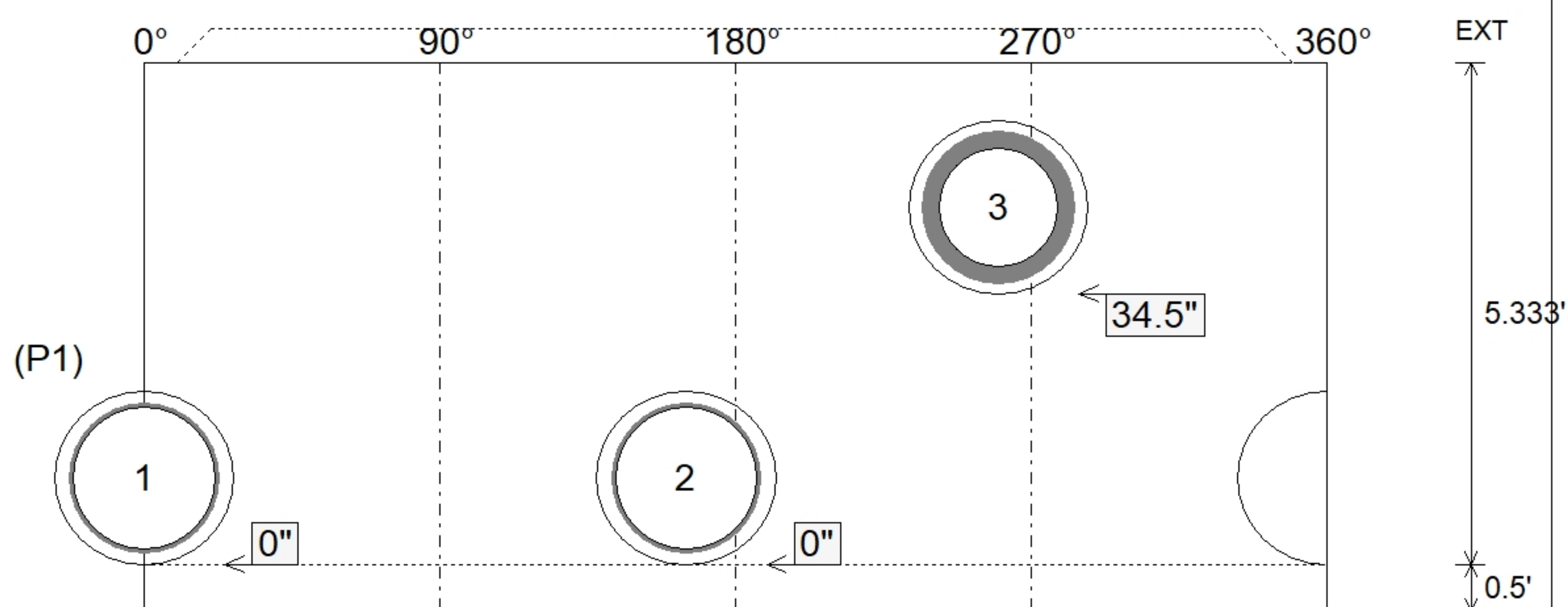
P3) 24" - CASTING HEIGHT - 0.667'	0 lb
P2) 48" - MH048LD12ECC - MH FLAT LID w/24in ECC Hole - 1'	1561 lb
P1) 48" - MH048BAVF - MH BASE Custom Ht - 5.333'	5307 lb
1) 48" - PSCONCS102-1 - Conseal CS-102 1.00" - 0'	0 lb
3) Hole - 0'	0 lb
5) PSAMERSTEPML10TDSNCR - MH Step ML-10-TDS-NCR - 0'	0 lb
<b>Structure Total:</b>	<b>6868 lb</b>



Position	Elev	Angle	Pipe	Pipe OD	Hole	Connector	Up (")	Ref
Rim	590.3'							
Reducer								
Invert 1	583.41'	0°	18" CMP	19"	22"	Hole 22	0"	P1
Invert 2	583.41'	165°	18" CMP	19"	22"	Hole 22	0"	P1
Invert 3	586.41'	260°	15" RCP B WALL	19.5"	22"	Hole 22	34.5"	P1
Invert 4								
Invert 5								
Invert 6								
Invert 7								
Invert 8								



**Default - Interior Dimensions**



Submittal Drawing  
 2/11/2026 8:48:01 AM

SUBMITTAL  
 APPROVED BY: