

Job Name: 25-1684P3 KYTC Jefferson Co. Call 200 (251007)	Plant: Beaver Dam, Ky.	Tech: N. Richards	
Job Location: I-264 Louisville, Ky. Contractor: Cleary Construction, Inc.	2/11/2026 8:51:49 AM	PC: J. Jarvis	

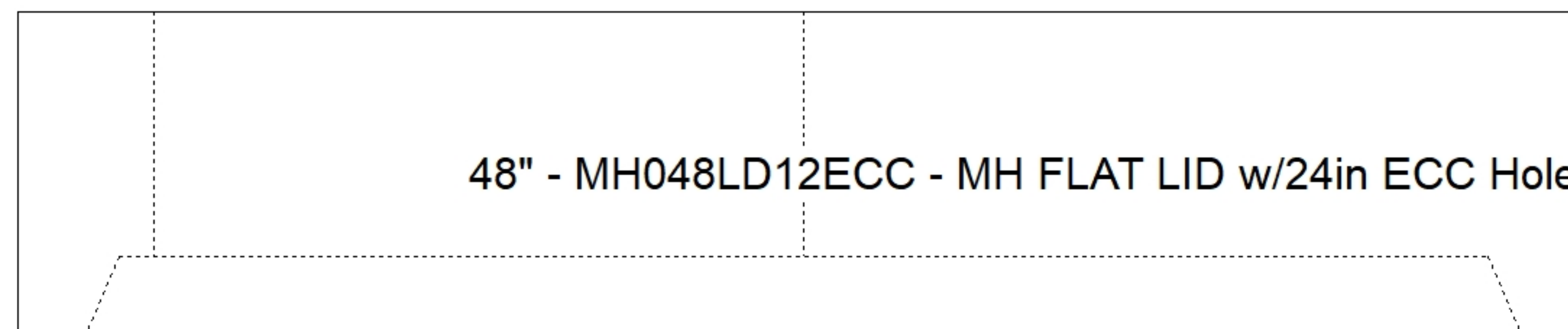
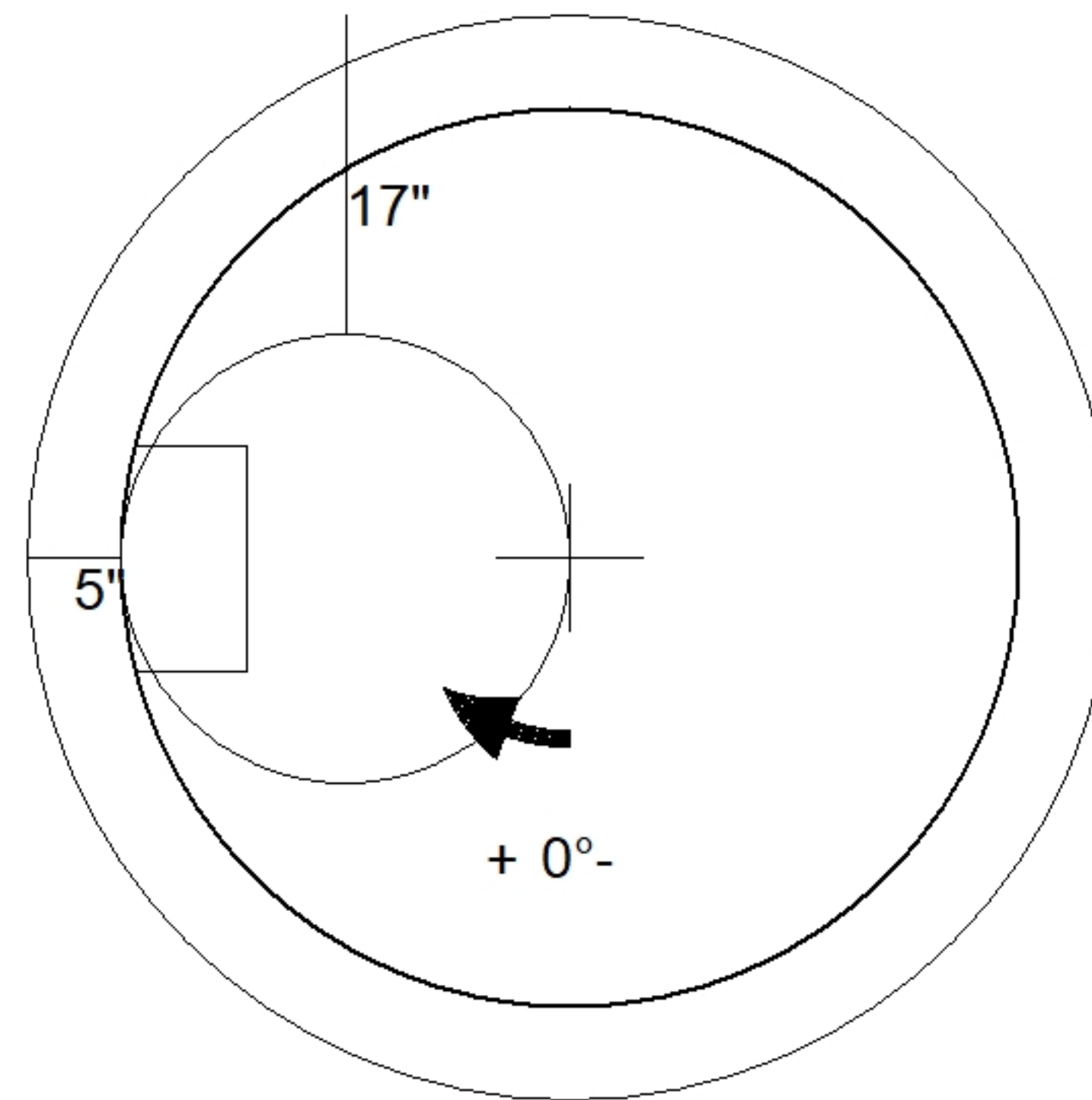
Structure ID: 117+32 LT MH-A INLET 9

P2 MH048LD12ECC

MH FLAT LID w/24in ECC Hole

P3) 24" - CASTING HEIGHT - 0.667'	0 lb
P2) 48" - MH048LD12ECC - MH FLAT LID w/24in ECC Hole - 1'	1561 lb
P1) 48" - MH048BAVF - MH BASE Custom Ht - 5.333'	5307 lb
1) 48" - PSCONCS102-1 - Conseal CS-102 1.00" - 0'	0 lb
3) Hole - 0'	0 lb
5) PSAMERSTEPML10TDSNCR - MH Step ML-10-TDS-NCR - 0'	0 lb
Structure Total:	6868 lb

Structure Notes:
 -KYTC STATE PROJECT 251007
 -REINFORCING: PER ASTM C-478 SPECIFICATIONS.
 -TYPE 2 MANHOLE FRAME & COVER (BY OTHERS).
 -CS-102 BUTYL REQUIRED (SUPPLIED BY ICAST).
 -KYTC CERTIFICATIONS REQUIRED.
 -VERIFY EXISTING 15" RCP I.E.



48" - MH048LD12ECC - MH FLAT LID w/24in ECC Hole - 1' - (P2)

Coating (Int):	Seam Up: Flat	Wall Thickness: 5"	Height (Ext): 1'	Weight (Net): 1561 lb
Coating (Ext):	Seam Dn: Groove			Volume (Net): 0.4cu.yd