

Structure ID: 116+92 LT CBIA INLET 8

P1 BX2436-08BA42 BOX BASE 8inW, 8inF

P3) 24" x 120" - CBITA10-TL - CB INLET KY A 10' TOP LEFT - 0.833' P2) 24" x 120" - CBITA10-BL - CB INLET KY A 10' BOTTOM LEFT - 1.5' P1) 24" x 36" - BX2436-08BA42 - BOX BASE 8inW, 8inF - 3.5' 1) 24" x 36" - PSCONCS102-1 - Conseal CS-102 1.00" - 0' 2) Hole - 0'	3400 lb 5270 lb 5171 lb 0 lb 0 lb ----- Structure Total: 13841 lb
--	---

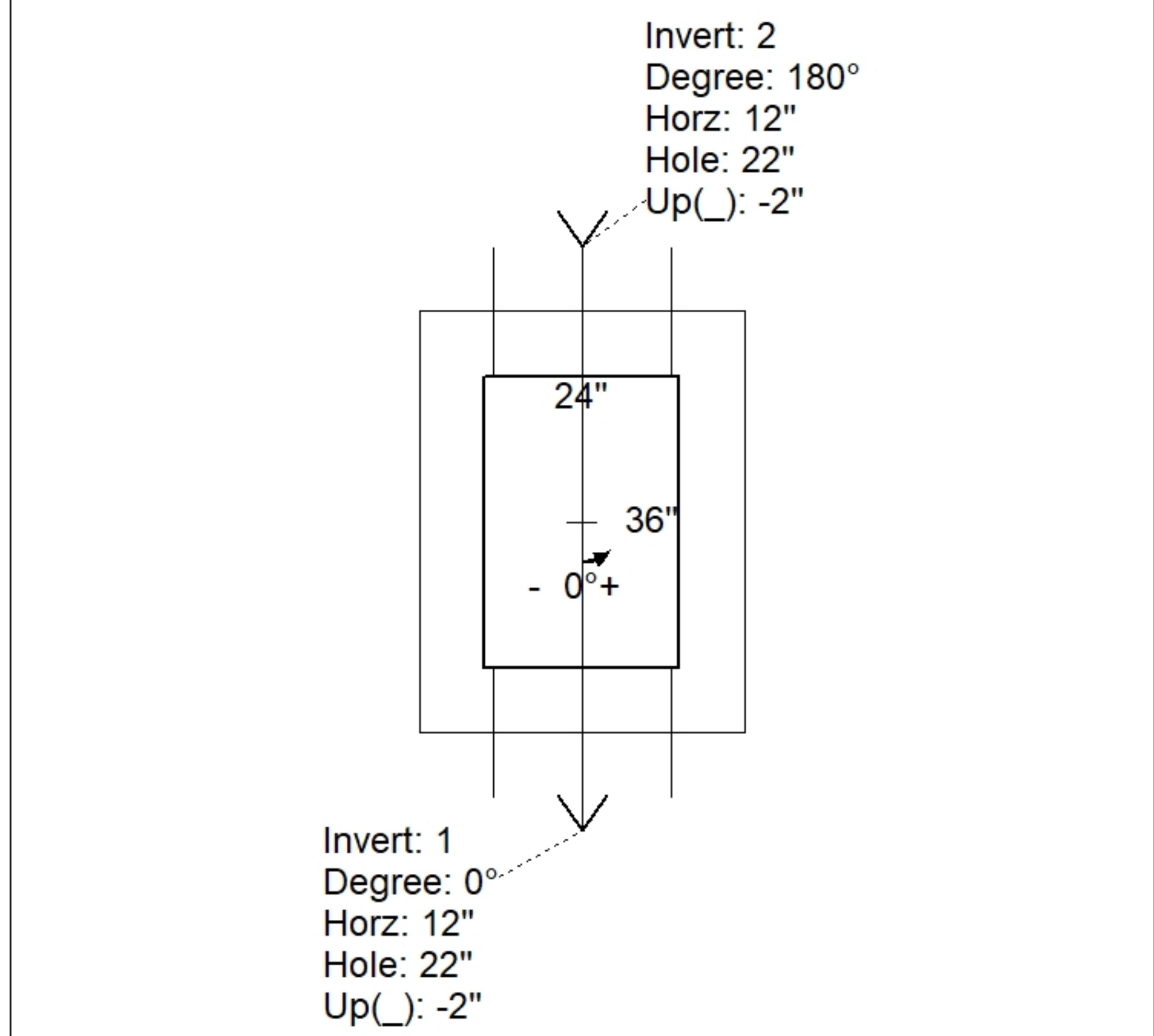
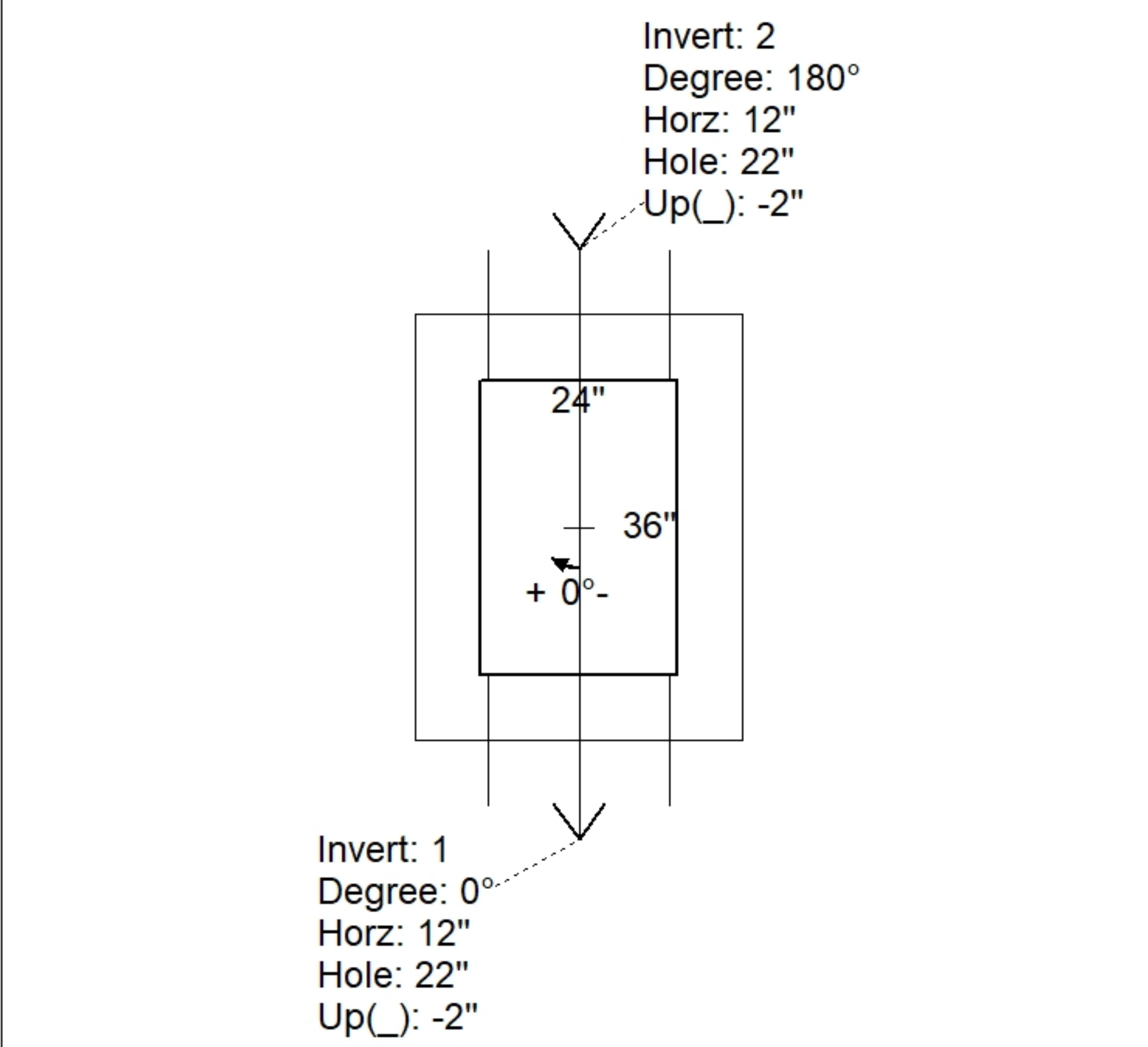
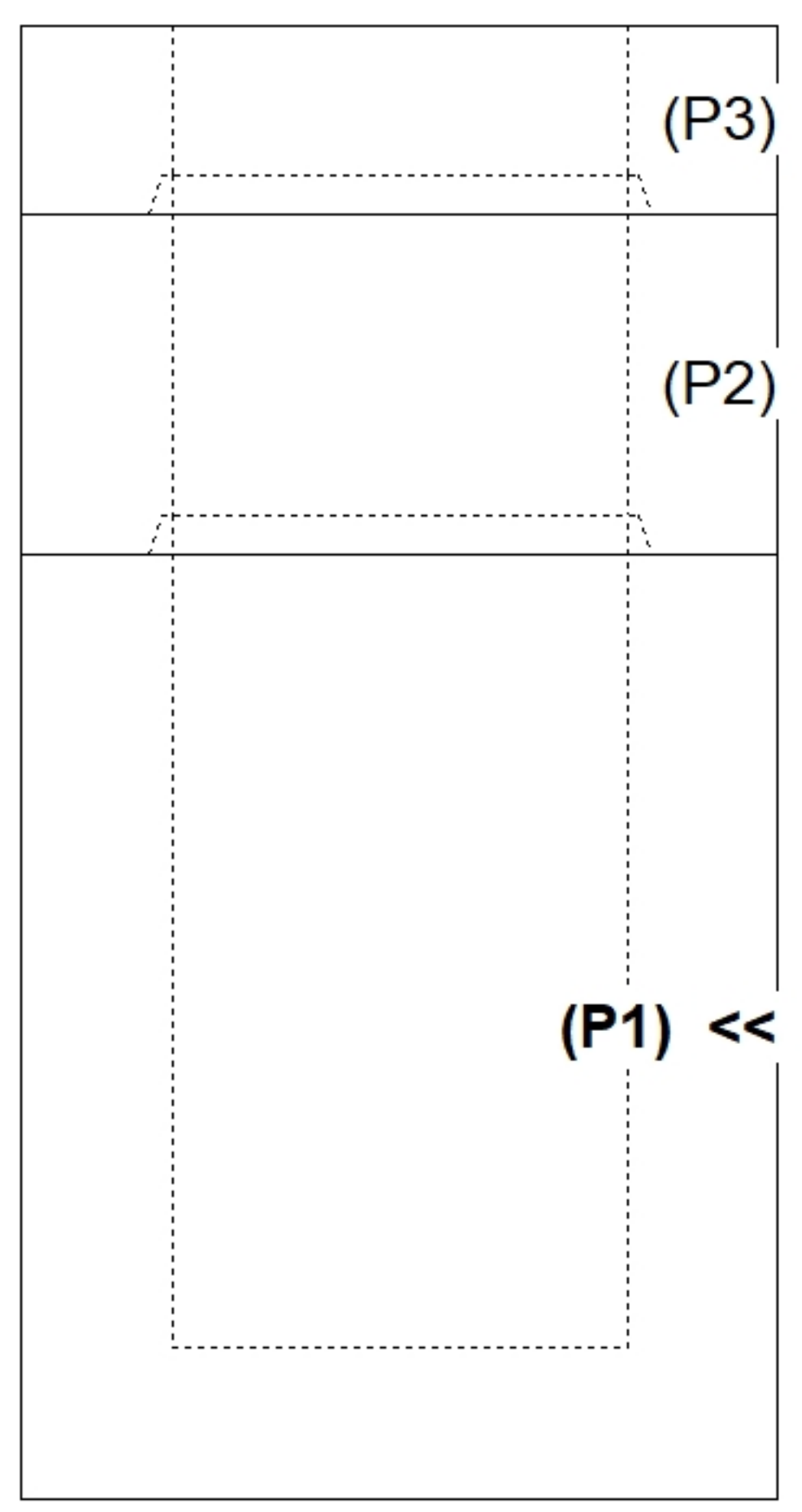
Structure Notes:
 -KYTC STATE PROJECT 251007
 -REINFORCING: #5 BAR @ 12" C/C E.W. (TYP.)
 -CS-102 BUTYL REQUIRED (SUPPLIED BY ICAST).
 -KYTC CERTIFICATIONS REQUIRED.

Rim: 589.78' Rim to Invert: 6.21' Slack: 0.377' Sump: 0' Step Position:

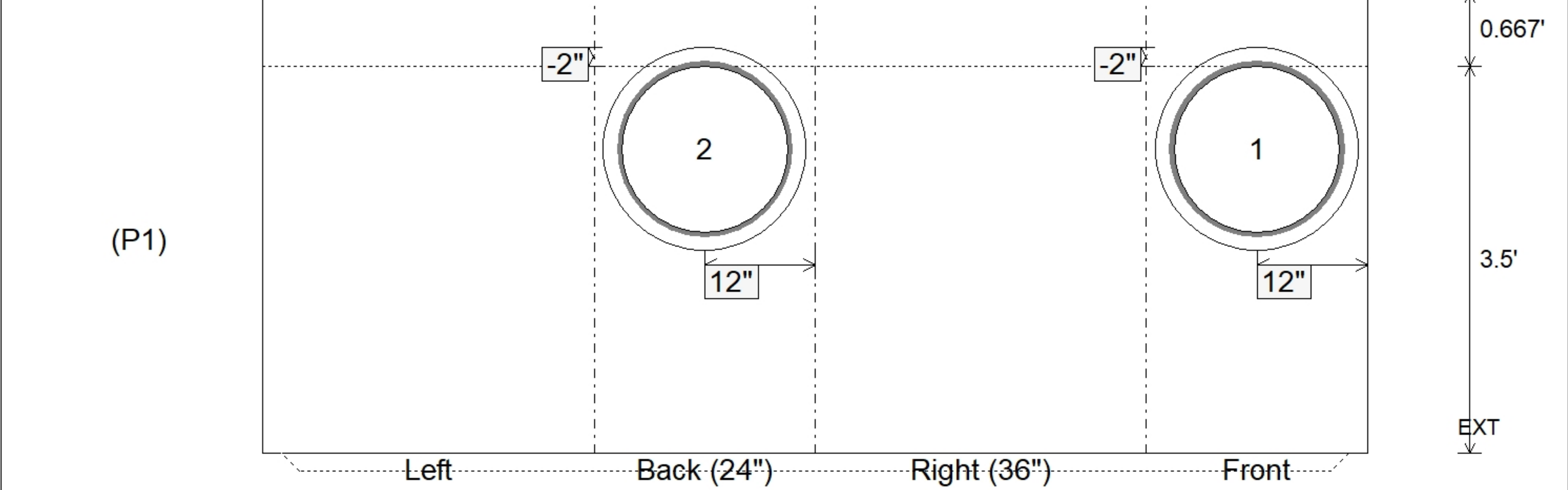
Position	Elev	Angle	Ext. (cw)	Pipe	Pipe OD	Connector	Hole	Horz Size	Up ()	Offset
Invert 1	583.57'	0°	20"	18" CMP	19"	Hole 22	22"	22"	-2"	0"
Invert 2	583.57'	180°	20"	18" CMP	19"	Hole 22	22"	22"	-2"	0"
Invert 3										
Invert 4										
Invert 5										
Invert 6										
Invert 7										
Invert 8										

RIGHT-SIDE UP VIEW (int. dimensions)

UPSIDE-DOWN VIEW (int. dimensions)



INSIDE WALL DIMENSIONS



Coating (Int):	Seam Up: Tongue	Wall Thickness: 8"	Height (Int): 3.5'	Weight (Net): 5171 lb
Coating (Ext):	Seam Dn: n/a	Floor Height: 0.667'	Height (Ext): 4.167'	Volume (Net): 1.32cu.yd