

Job Name: 25-1684P3 KYTC Jefferson Co. Call 200 (251007)
Job Location: I-264 Louisville, Ky.
Contractor: Cleary Construction, Inc.

PC: J. Jarvis
 TECH: N. Richards
 Plant: Beaver Dam, Ky.



Structure ID: 115+73 LT CBIA INLET 5
 Spec: KYTC
 Type: CBI TYPE A (10')
 Size: 24" x 36"

Rim: 589.33'
 Invert: 584.12'
 Rim to Invert: 5.21'

Sump: 0'
 Floor (Top): 584.12'
 Floor Height: 0.667'

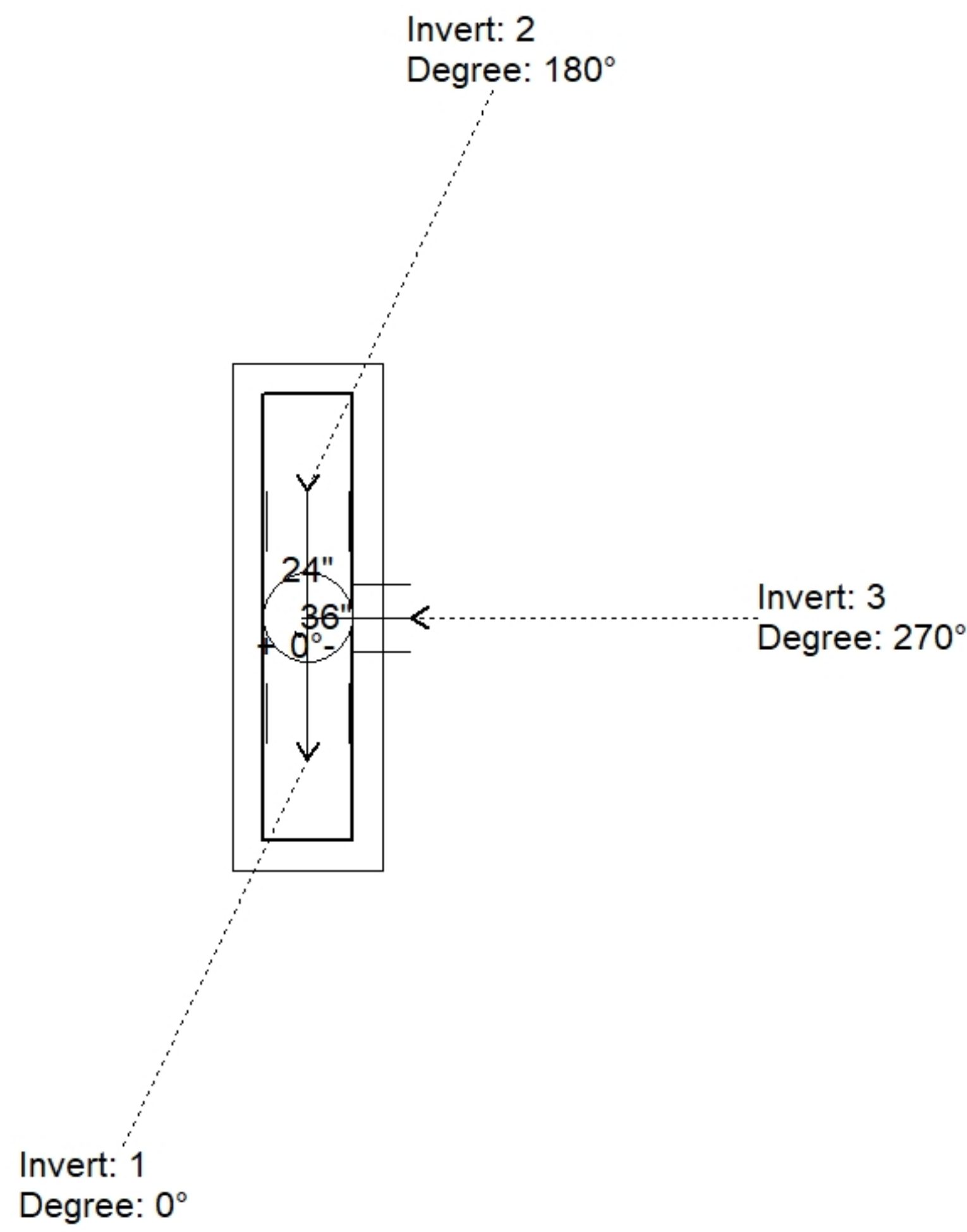
Floor (Bot): 583.453'
 Overall Height: 5.5'
 Slack: 0.377'

Structure Notes:

- KYTC STATE PROJECT 251007
- REINFORCING: #5 BAR @ 12" C/C E.W. (TYP.)
- CS-102 BUTYL REQUIRED (SUPPLIED BY ICAST).
- KYTC CERTIFICATIONS REQUIRED.

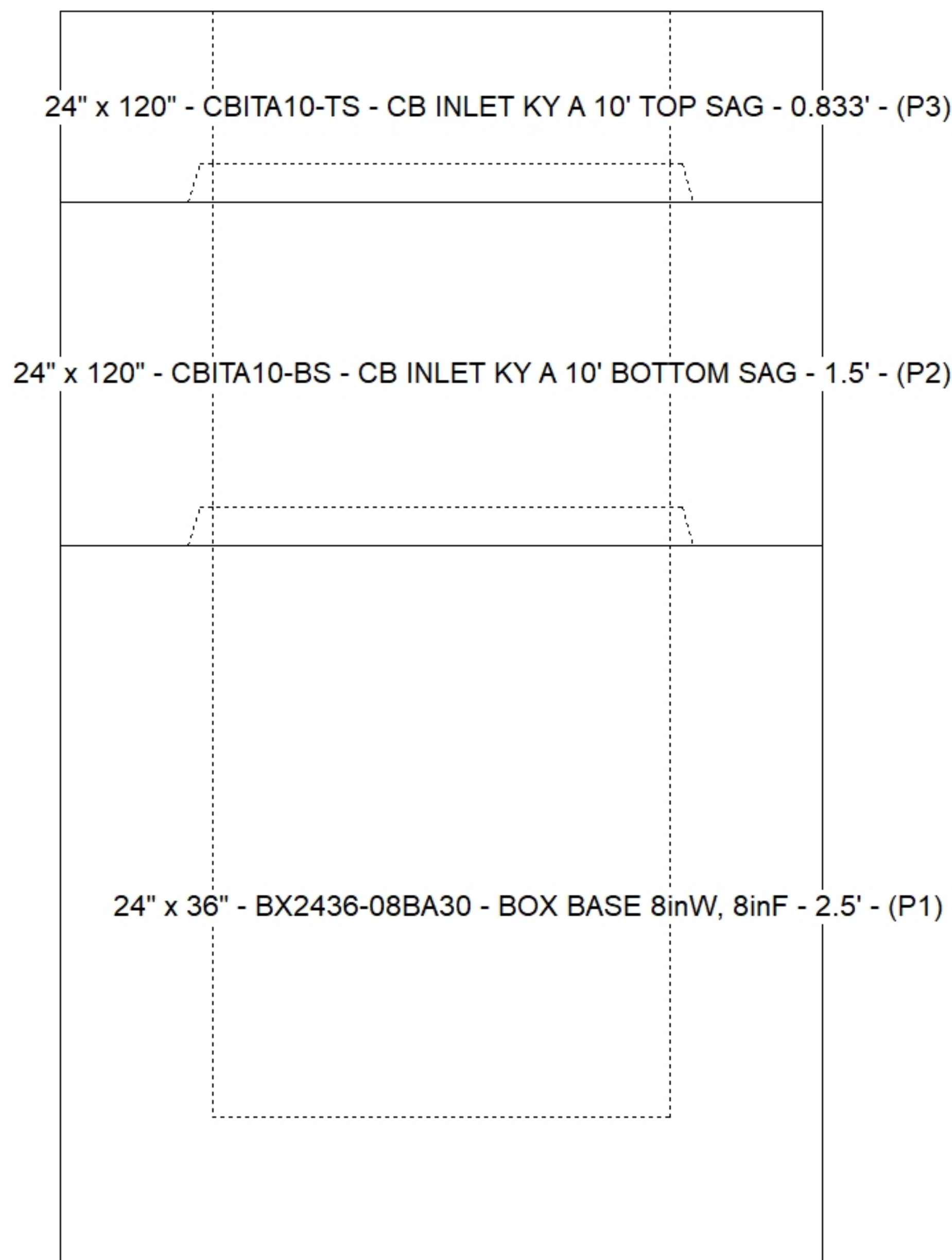
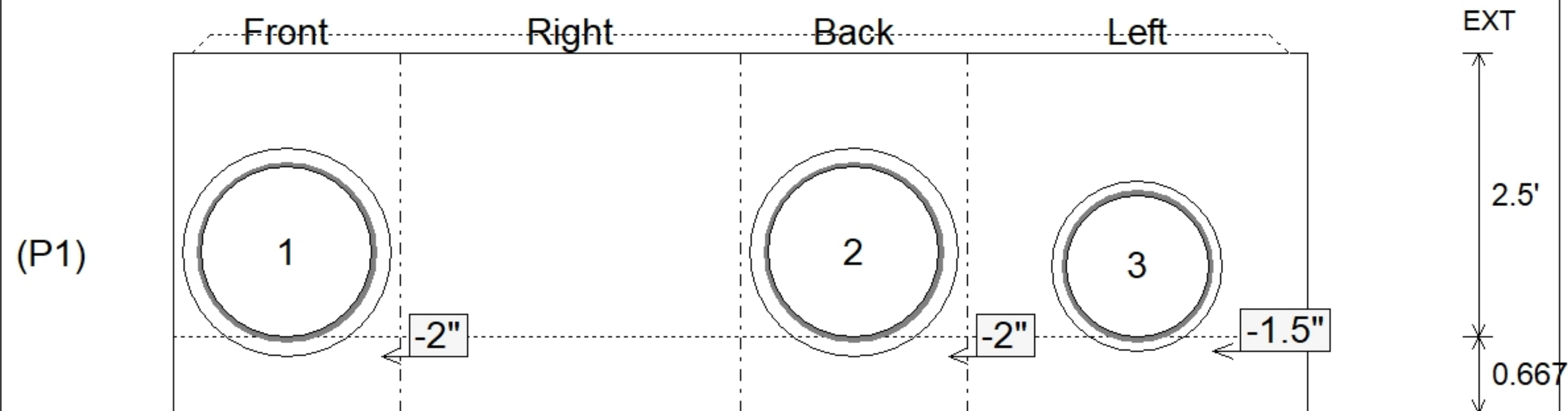
STRUCTURE SUMMARY:

P3) 24" x 120" - CBITA10-TS - CB INLET KY A 10' TOP SAG - 0.833'	3398 lb
P2) 24" x 120" - CBITA10-BS - CB INLET KY A 10' BOTTOM SAG - 1.5'	5270 lb
P1) 24" x 36" - BX2436-08BA30 - BOX BASE 8inW, 8inF - 2.5'	3776 lb
1) 24" x 36" - PSCONCS102-1 - Conseal CS-102 1.00" - 0'	0 lb
2) Hole - 0'	0 lb
1) Hole - 0'	0 lb
Structure Total:	12444 lb



Position	Elev	Angle	Pipe	Pipe OD	Hole	Connector	Up (L)	Ref
Rim	589.33'							
Reducer								
Invert 1	584.12'	0°	18" CMP	19"	22"	Hole 22	-2"	P1
Invert 2	584.12'	180°	18" CMP	19"	22"	Hole 22	-2"	P1
Invert 3	584.12'	270°	15" CMP	16"	18"	Hole 18	-1.5"	P1
Invert 4								
Invert 5								
Invert 6								
Invert 7								
Invert 8								

Default - Interior Dimensions



Submittal Drawing
 2/11/2026 8:47:21 AM

SUBMITTAL
 APPROVED BY: