

Structure ID: 115+73 LT CBIA INLET 5

P1 BX2436-08BA30 BOX BASE 8inW, 8inF

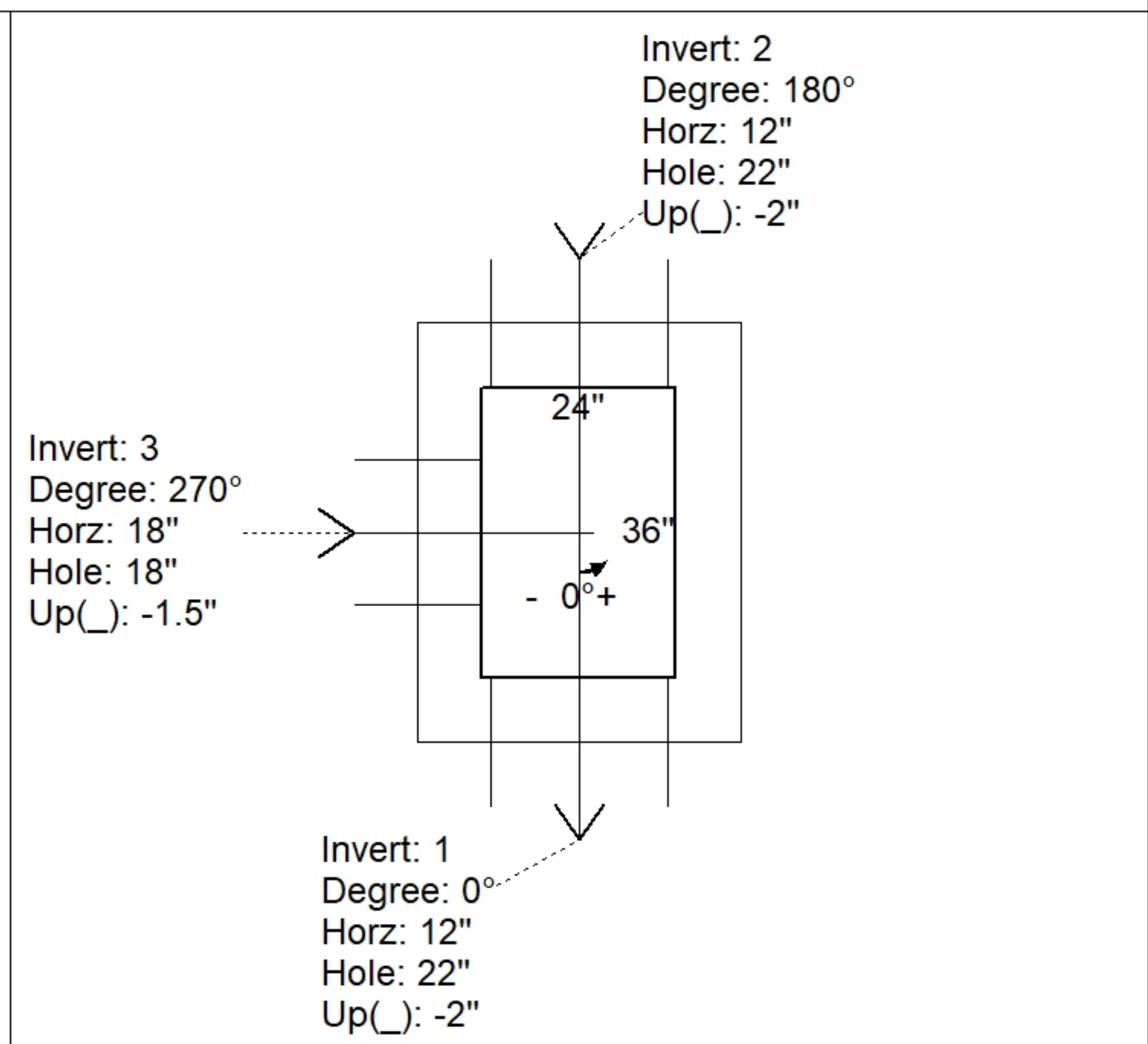
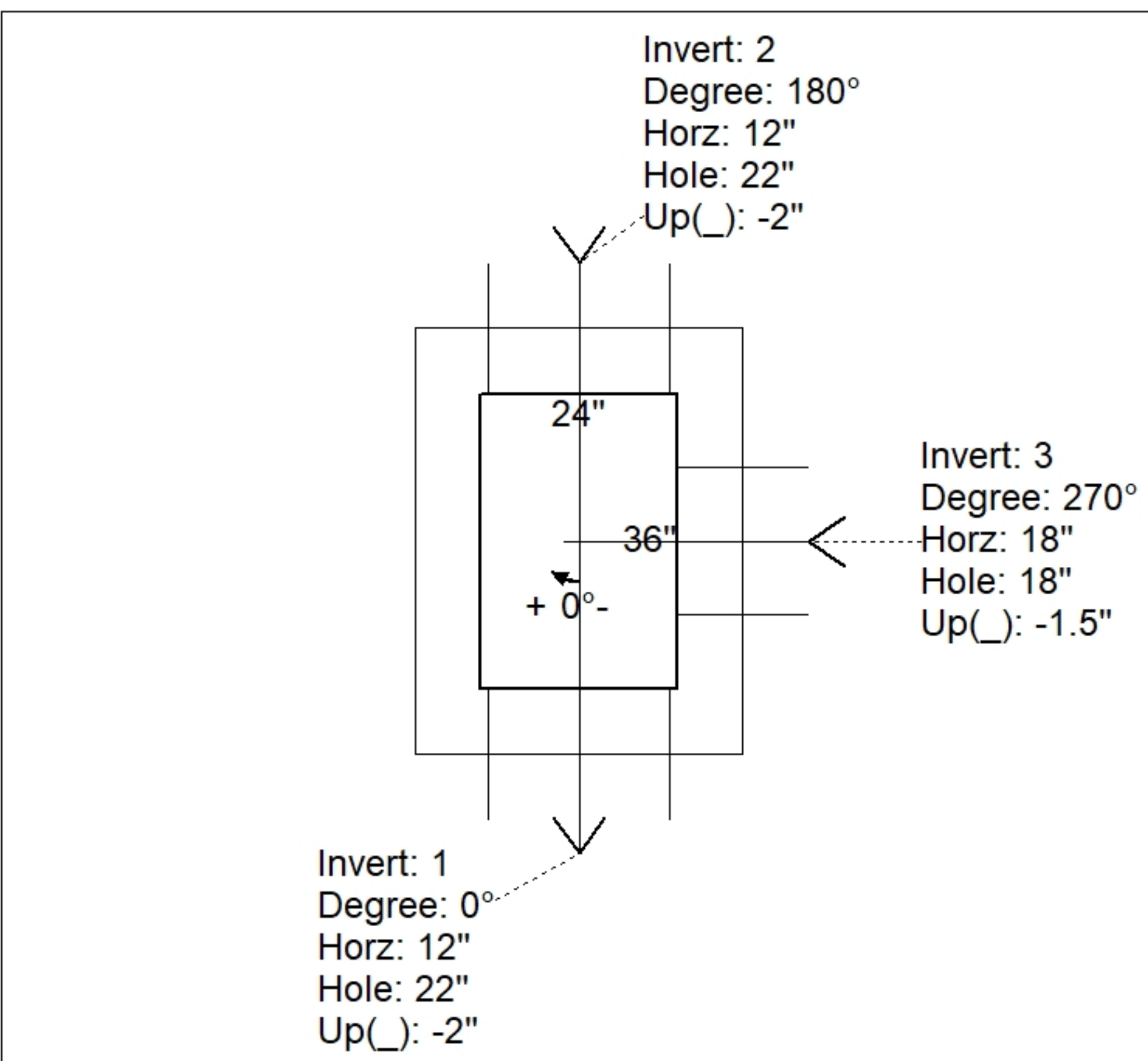
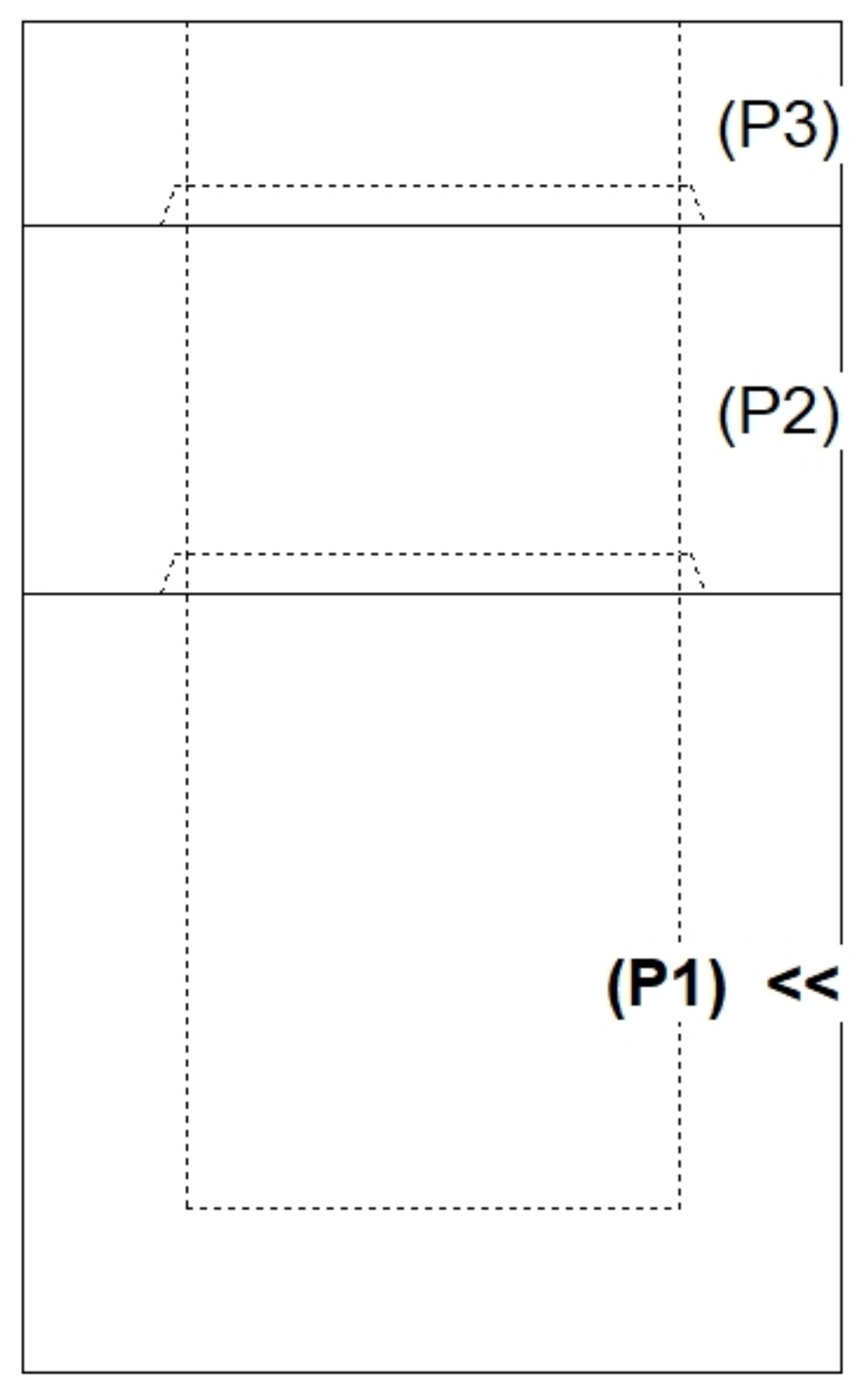
P3) 24" x 120" - CBITA10-TS - CB INLET KY A 10' TOP SAG - 0.833' P2) 24" x 120" - CBITA10-BS - CB INLET KY A 10' BOTTOM SAG - 1.5' P1) 24" x 36" - BX2436-08BA30 - BOX BASE 8inW, 8inF - 2.5' 1) 24" x 36" - PSCONCS102-1 - Conseal CS-102 1.00" - 0' 2) Hole - 0' 1) Hole - 0'	3398 lb 5270 lb 3776 lb 0 lb 0 lb 0 lb	Structure Notes: -KYTC STATE PROJECT 251007 -REINFORCING: #5 BAR @ 12" C/C E.W. (TYP.) -CS-102 BUTYL REQUIRED (SUPPLIED BY ICAST). -KYTC CERTIFICATIONS REQUIRED.
Structure Total:		12444 lb

Rim: 589.33' Rim to Invert: 5.21' Slack: 0.377' Sump: 0' Step Position:

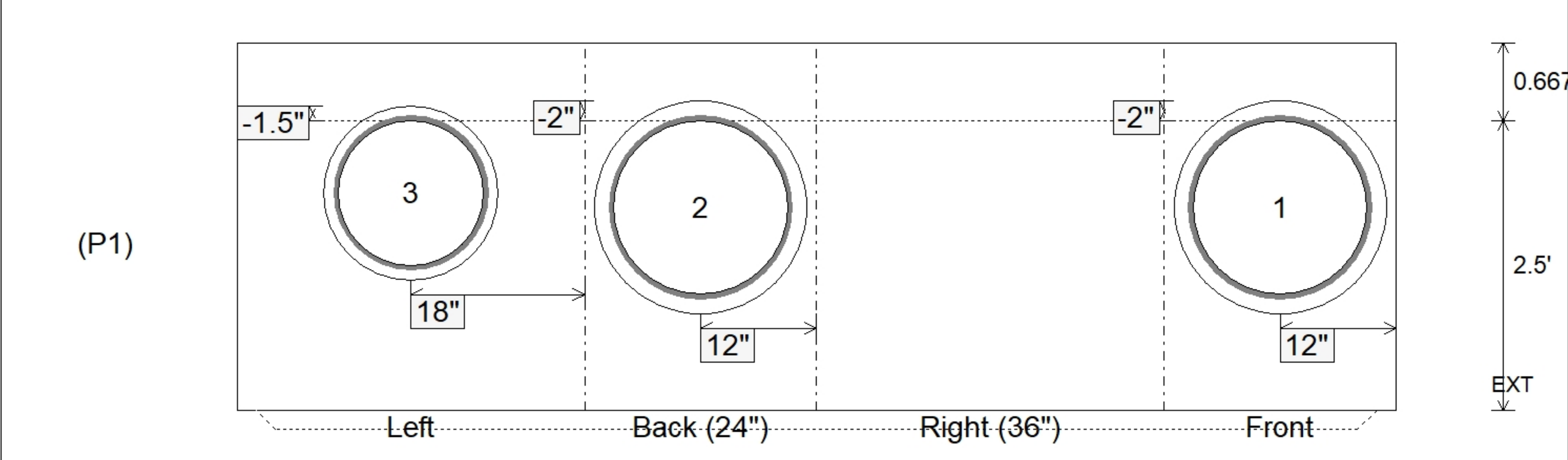
Position	Elev	Angle	Ext. (cw)	Pipe	Pipe OD	Connector	Hole	Horz Size	Up ()	Offset
Invert 1	584.12'	0°	20"	18" CMP	19"	Hole 22	22"	22"	-2"	0"
Invert 2	584.12'	180°	20"	18" CMP	19"	Hole 22	22"	22"	-2"	0"
Invert 3	584.12'	270°	26"	15" CMP	16"	Hole 18	18"	18"	-1.5"	0"
Invert 4										
Invert 5										
Invert 6										
Invert 7										
Invert 8										

RIGHT-SIDE UP VIEW (int. dimensions)

UPSIDE-DOWN VIEW (int. dimensions)



INSIDE WALL DIMENSIONS



Coating (Int):	Seam Up: Tongue	Wall Thickness: 8"	Height (Int): 2.5'
Coating (Ext):	Seam Dn: n/a	Floor Height: 0.667'	Height (Ext): 3.167'
		Weight (Net): 3776 lb	
		Volume (Net): 0.96cu.yd	