

**Job Name: 25-1684P3 KYTC Jefferson Co. Call 200 (251007)**  
**Job Location: I-264 Louisville, Ky.**  
**Contractor: Cleary Construction, Inc.**

PC: J. Jarvis  
 TECH: N. Richards  
 Plant: Beaver Dam, Ky.



Structure ID: 115+73 JB-B1 INLET 6  
 Spec: KYTC  
 Type: Junction Box B1  
 Size: 24" x 24"

Rim: 589.7'  
 Invert: 585.7'  
 Rim to Invert: 4'

Sump: 0'  
 Floor (Top): 585.7'  
 Floor Height: 0.667'

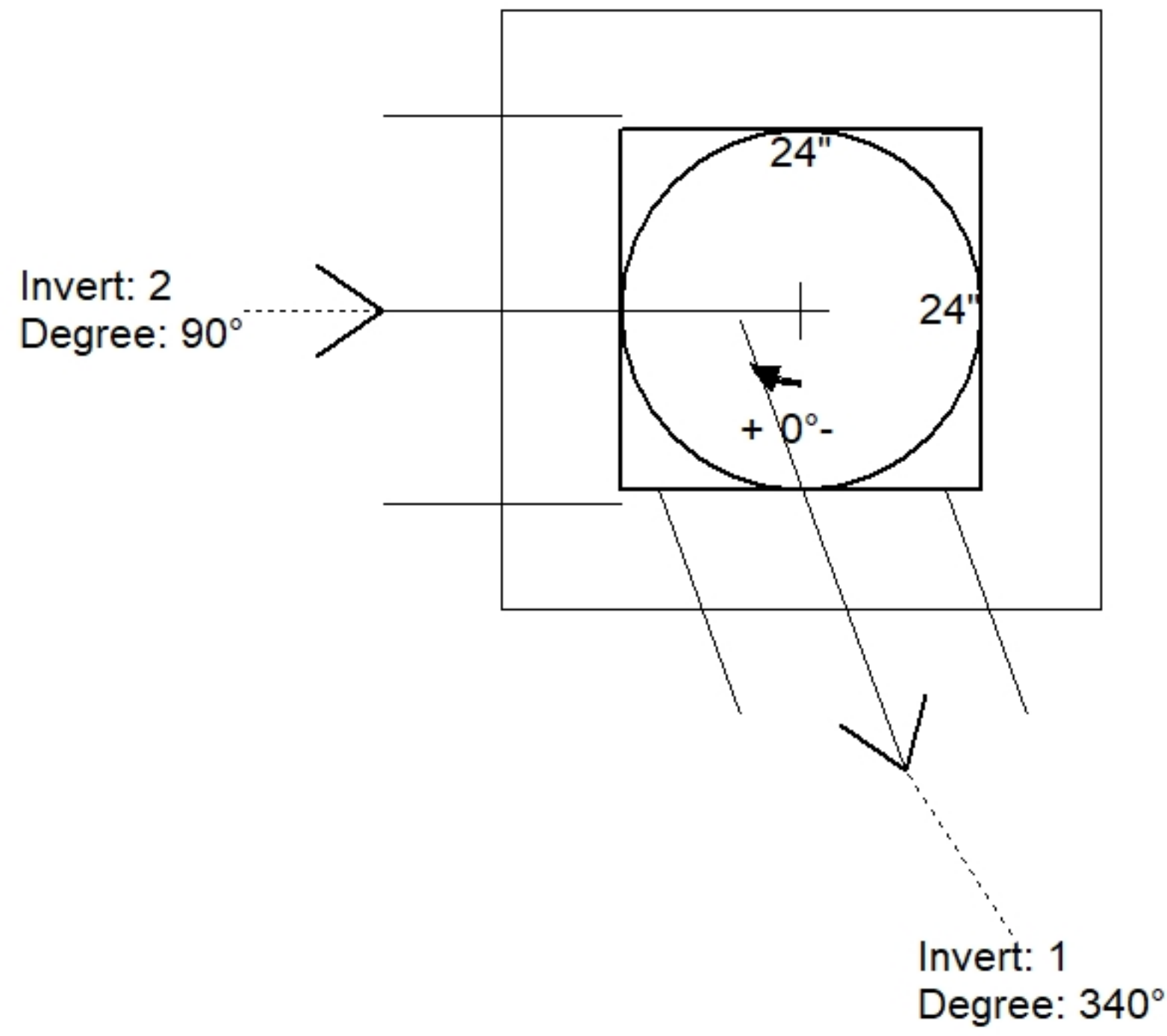
Floor (Bot): 585.033'  
 Overall Height: 4.333'  
 Slack: 0.333'

**Structure Notes:**

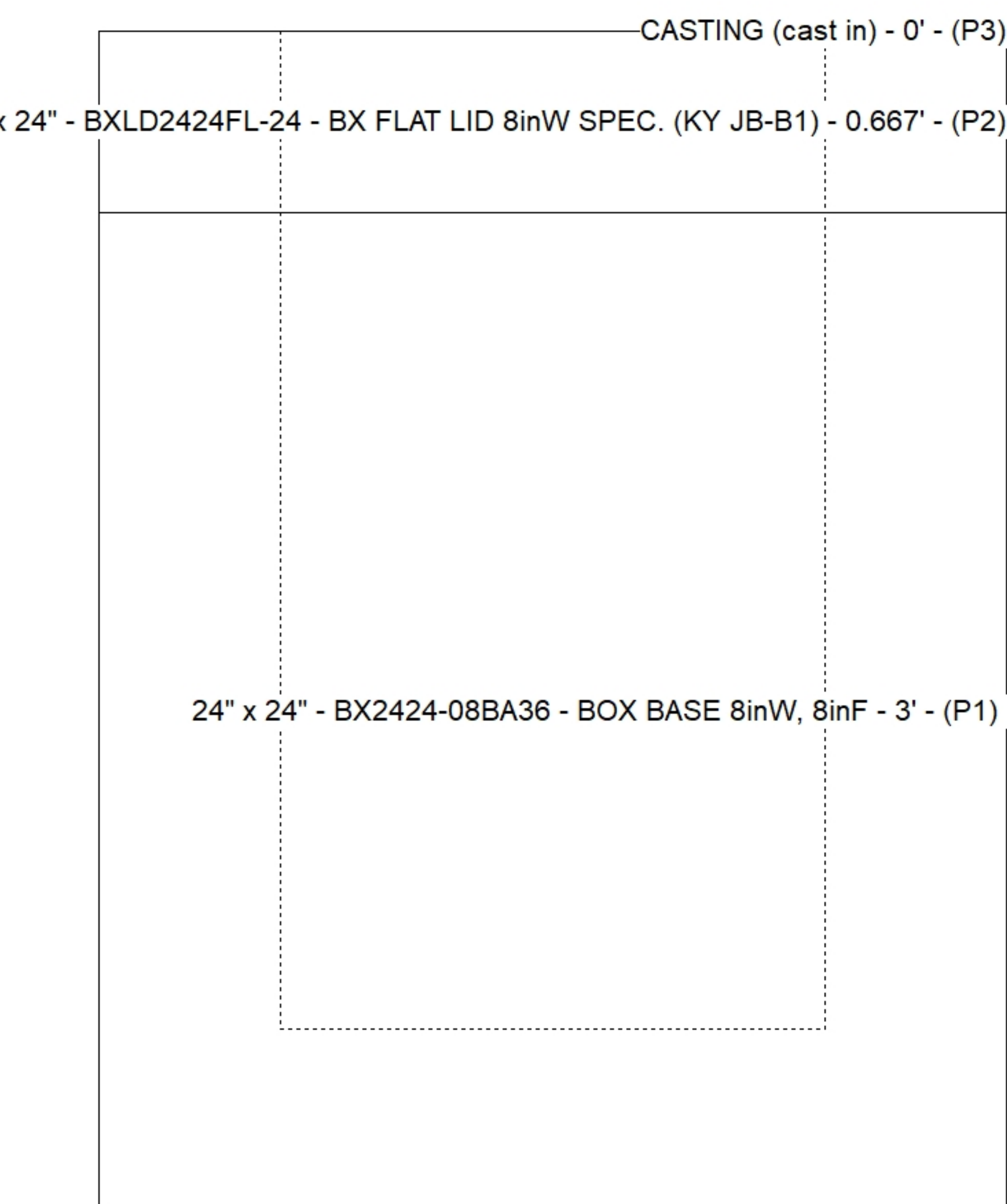
- KYTC STATE PROJECT 251007
- REINFORCING: #5 BAR @ 12" C/C E.W. (TYP.).
- CASTING BY OTHERS.
- CS-102 BUTYL REQUIRED (SUPPLIED BY ICAST).
- KYTC CERTIFICATIONS REQUIRED.

**STRUCTURE SUMMARY:**

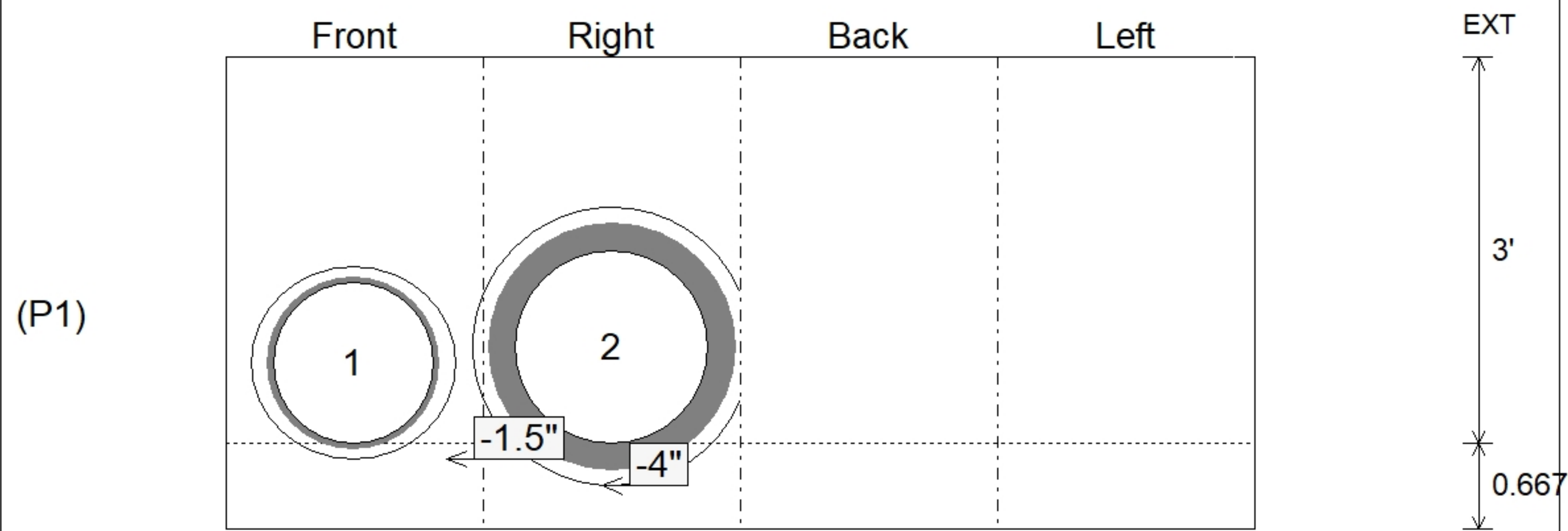
P3) CASTING (cast in) - 0'	0 lb
P2) 24" x 24" - BXLD2424FL-24 - BX FLAT LID 8inW SPEC. (KY JB-B1) - 0.667'	770 lb
P1) 24" x 24" - BX2424-08BA36 - BOX BASE 8inW, 8inF - 3'	3718 lb
1) 24" x 24" - PSCONCS102-1 - Conseal CS-102 1.00" - 0'	0 lb
1) Hole - 0'	0 lb
1) Hole - 0'	0 lb
<b>Structure Total:</b>	<b>4489 lb</b>



Position	Elev	Angle	Pipe	Pipe OD	Hole	Connector	Up (")	Ref
Rim	589.7'							
Reducer								
Invert 1	585.7'	340°	15" CMP	16"	18"	Hole 18	-1.5"	P1
Invert 2	585.7'	90°	18" RCP B WALL	23"	26"	Hole 26	-4"	P1
Invert 3								
Invert 4								
Invert 5								
Invert 6								
Invert 7								
Invert 8								



**Default - Interior Dimensions**



Submittal Drawing  
 2/11/2026 8:48:00 AM

SUBMITTAL  
 APPROVED BY: