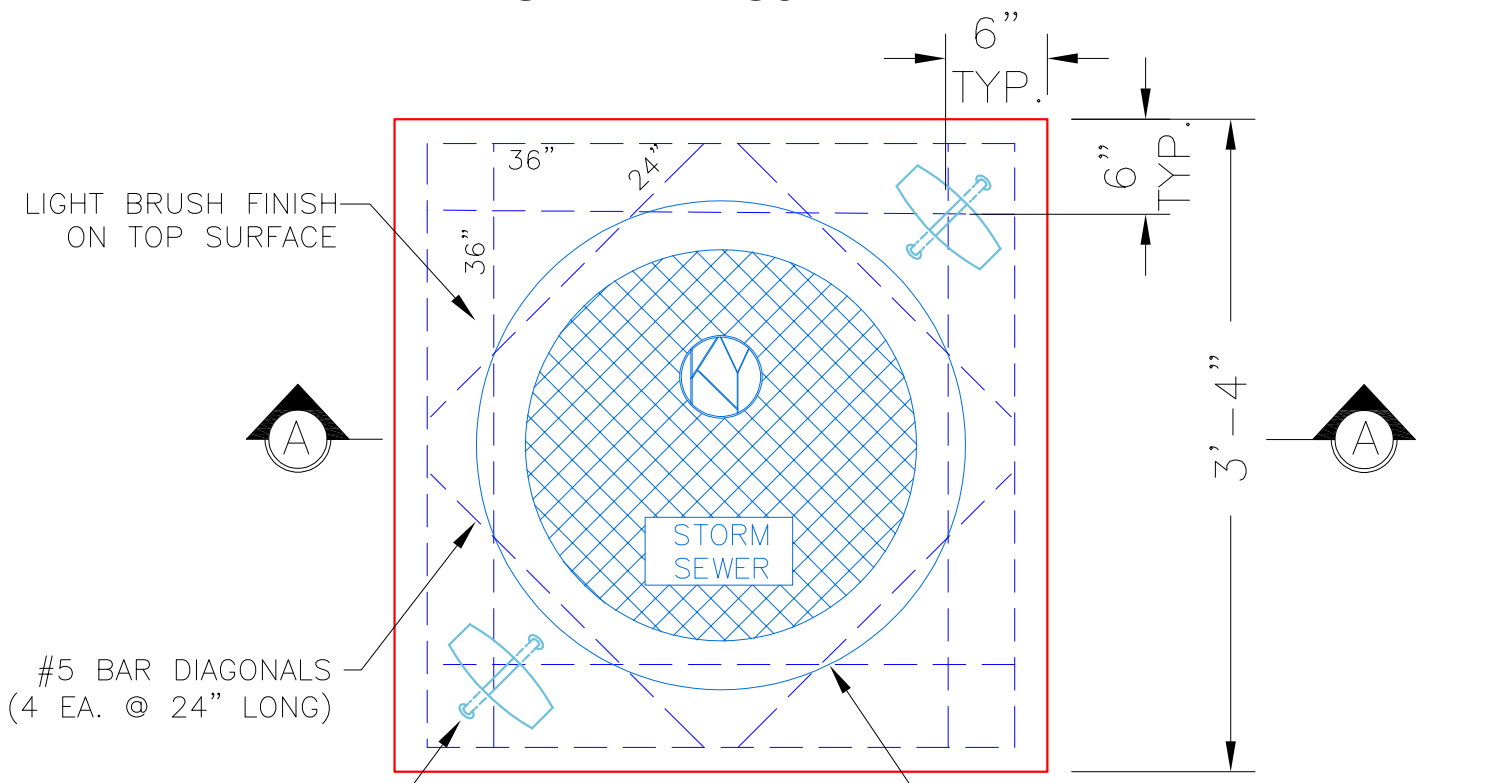
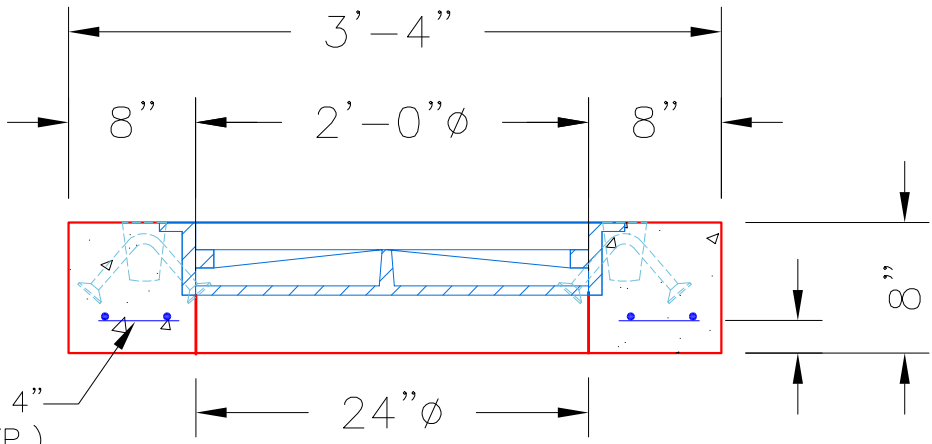


# \*KYTC STATE PROJECT\*



**PLAN VIEW**



**SECTION A-A**

**NOTES:**

- CONCRETE: 4500 PSI @ 28 DAYS.
- MANUFACTURED TO KYTC & ASTM C-913 SPECIFICATIONS.
- REINFORCING: #5 BAR AS SHOWN-GRADE 60.
- KYTC STATE CERTIFICATIONS REQUIRED.
- 2 EA. CONAC 5CA18 LIFTS REQUIRED.

#5 BAR CUT LIST  
 8 EA. @ 36" LG.  
 4 EA. @ 24" LG.

<p>PRODUCTION WORK ORDER</p>		<p>PRODUCT I.D.: BXLD2424FL0808-S</p>	<p>DESCRIPTION: JUNCTION BOX TOP SLAB (B1) 24" X 24" X 8"</p>	
	<p>QUALITY CONTROL CHECKLIST</p> <p><input type="checkbox"/> ALL DIMENSIONS CORRECT.</p> <p><input type="checkbox"/> LIFTERS INSTALLED.</p> <p><input type="checkbox"/> OPENING CENTERED.</p> <p><input type="checkbox"/> REINFORCING CORRECT.</p> <p><input type="checkbox"/> NO JOINT INSTALLED.</p> <p><input type="checkbox"/> TOP EDGE ROUNDED.</p> <p><input type="checkbox"/> ANY PATCHWORK ACCEPTABLE.</p>		<p>CUSTOMER: CLEARLY CONSTRUCTION, INC.</p>	
	<p>PRODUCT VIEW: RIGHT SIDE UP</p>		<p>PROJECT: KYTC JEFFERSON CO. 251007</p>	
	<p>PLANT: BEAVER DAM, KY.</p>		<p>STRUCTURE ID.: 115+73 JB-B1 (SEC. P2)</p>	
	<p>WEIGHT: 779 LBS.</p>		<p>SALES ORDER NO.: 25-1684P3</p>	
	<p>TOP SECTION JOINT: NOT REQ'D.</p>		<p>PC: J. JARVIS      DRAWING: N. RICHARDS</p>	
<p>BOTTOM JOINT: FLAT</p>		<p>DATE: 02/11/26      SCALE: NTS      PG. 1 of 1</p>		
<p>QC CHECK INITIALS:</p>				