

Structure ID: 115+73 JB-B1 INLET 6

P1 BX2424-08BA36 BOX BASE 8inW, 8inF

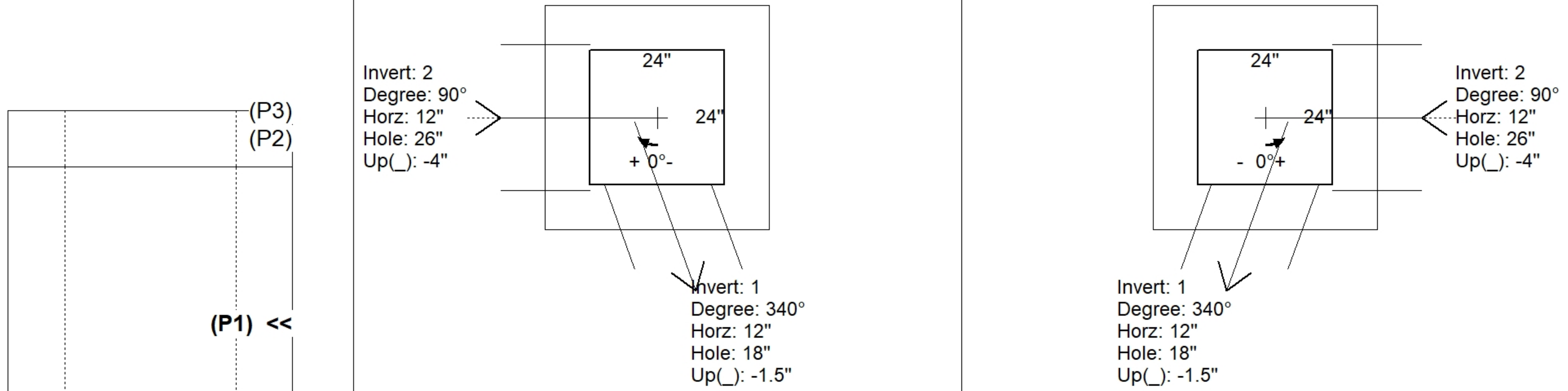
P3) CASTING (cast in) - 0' P2) 24" x 24" - BXLD2424FL-24 - BX FLAT LID 8inW SPEC. (KY JB-B1) - 0.667' P1) 24" x 24" - BX2424-08BA36 - BOX BASE 8inW, 8inF - 3' 1) 24" x 24" - PSCONCS102-1 - Conseal CS-102 1.00" - 0' 1) Hole - 0' 1) Hole - 0'	0 lb 770 lb 3718 lb 0 lb 0 lb 0 lb ----- Structure Total: 4489 lb	Structure Notes: -KYTC STATE PROJECT 251007 -REINFORCING: #5 BAR @ 12" C/C E.W. (TYP.). -CASTING BY OTHERS. -CS-102 BUTYL REQUIRED (SUPPLIED BY ICAST). -KYTC CERTIFICATIONS REQUIRED.
---	--	--

Rim: 589.7' Rim to Invert: 4' Slack: 0.333' Sump: 0' Step Position:

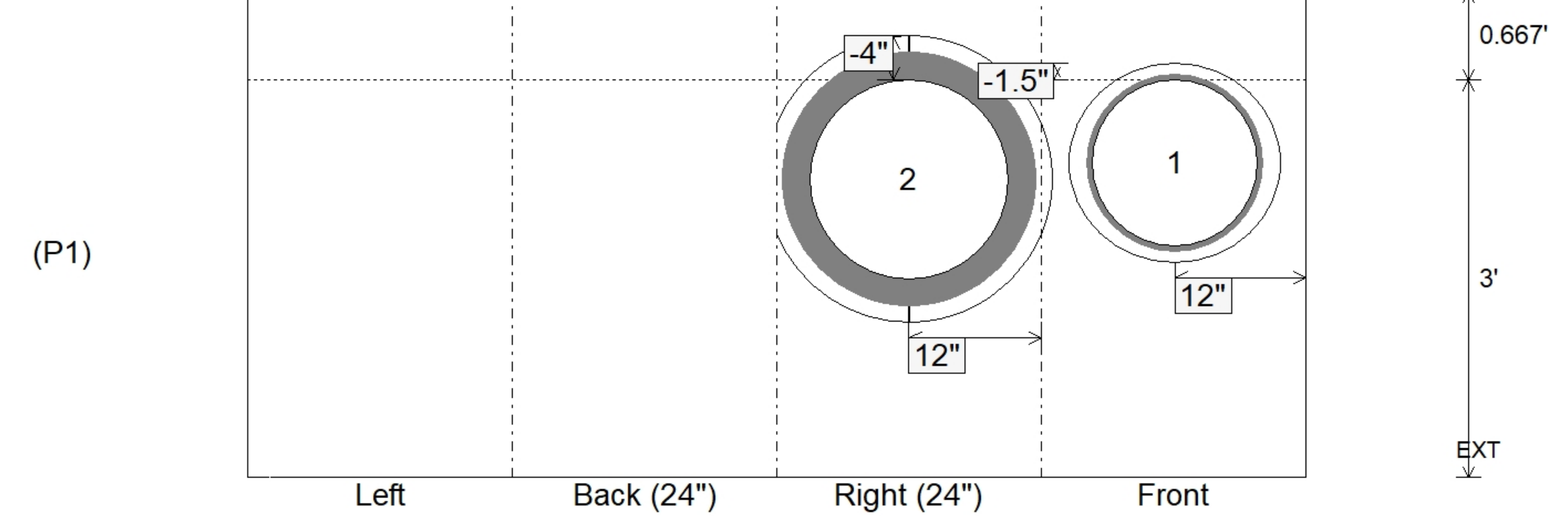
Position	Elev	Angle	Ext. (cw)	Pipe	Pipe OD	Connector	Hole	Horz Size	Up ()	Offset
Invert 1	585.7'	340°	17"	15" CMP	16"	Hole 18	18"	19.155"	-1.5"	4"
Invert 2	585.7'	90°	20"	18" RCP B WALL	23"	Hole 26	26"	25"	-4"	0"
Invert 3										
Invert 4										
Invert 5										
Invert 6										
Invert 7										
Invert 8										

RIGHT-SIDE UP VIEW (int. dimensions)

UPSIDE-DOWN VIEW (int. dimensions)



INSIDE WALL DIMENSIONS



Coating (Int):	Seam Up: Flat	Wall Thickness: 8"	Height (Int): 3'	Weight (Net): 3718 lb
Coating (Ext):	Seam Dn: n/a	Floor Height: 0.667'	Height (Ext): 3.667'	Volume (Net): 0.95cu.yd