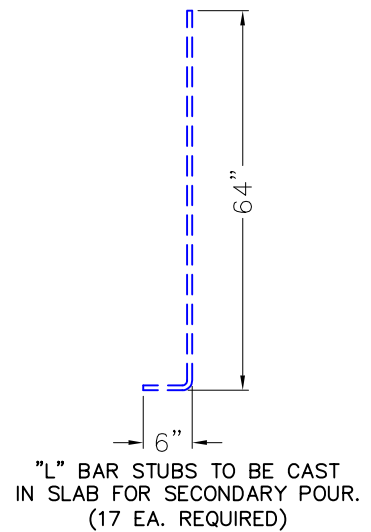
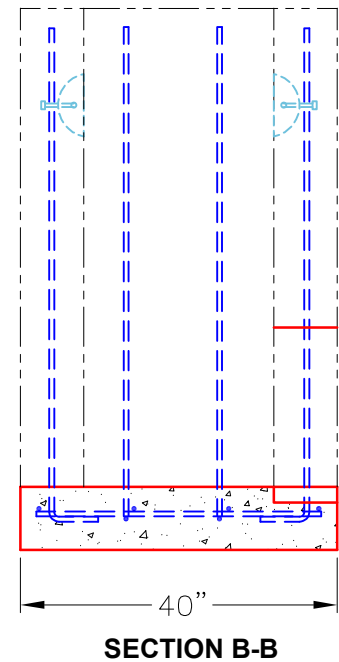
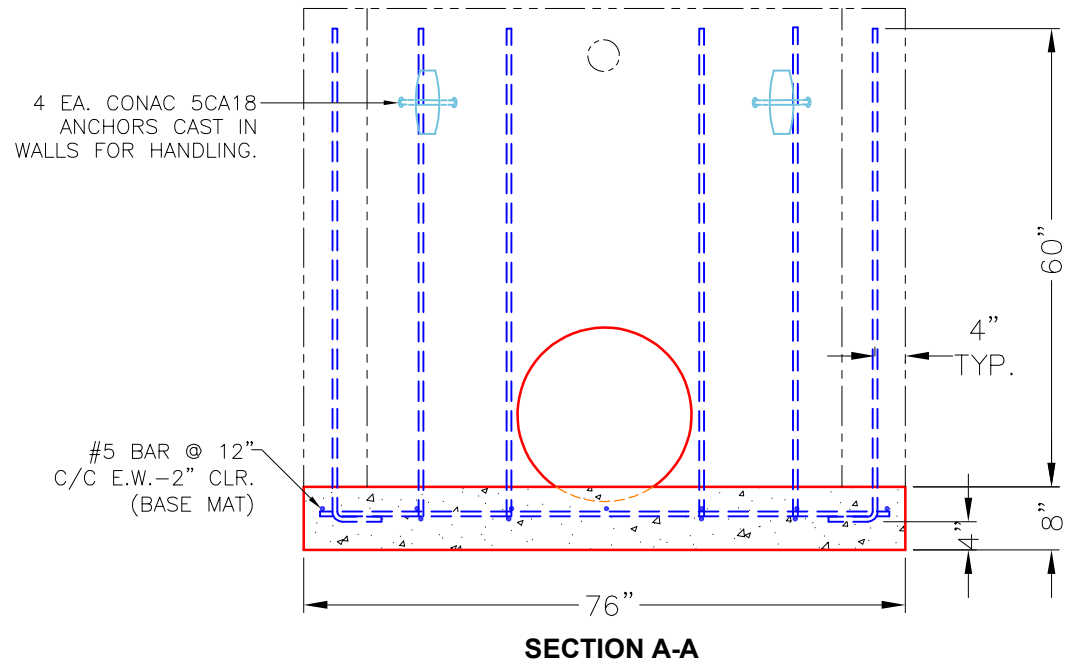
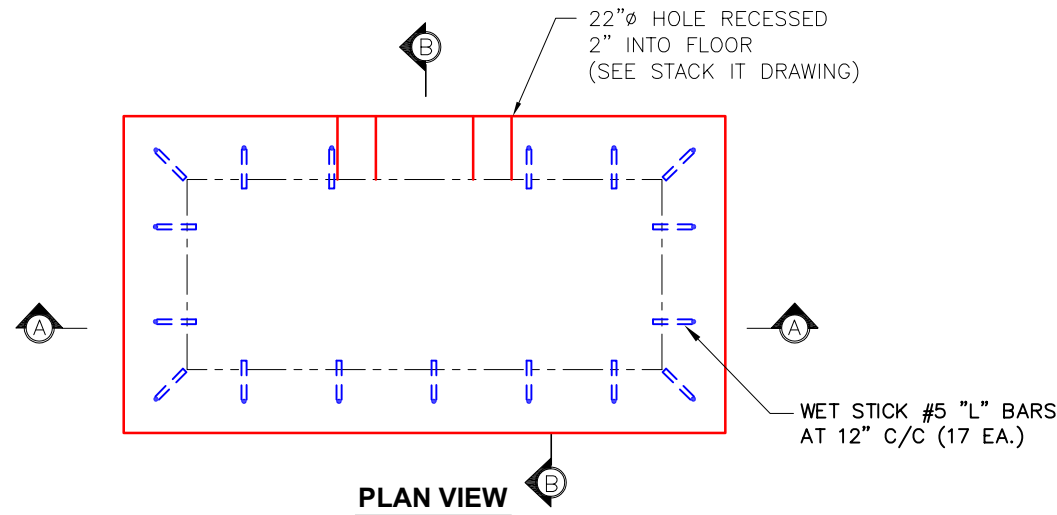



**GENERAL NOTES:**

1. MANUFACTURED PER ASTM C-913 (LATEST REVISION).
2. CONCRETE F'C = 4,500 PSI AT 28 DAYS.
3. REINFORCING: #5 BAR @ 12" C/C E.W. (GRADE 60).
4. #5 "L" BARS REQUIRED TO BE CAST IN FOR SECONDARY POUR OF WALLS.
5. SEE STACK-IT DRAWING FOR SECONDARY POUR OF WALLS WITH ADDITIONAL INFORMATION.



<b>PRODUCTION WORK ORDER</b>		PRODUCT I.D.: PRIMARY POUR	DESCRIPTION: DBI FLOOR 24" X 60" X 8" THK. W/EXT. REBAR	
	<b>QUALITY CONTROL CHECKLIST</b>		PRODUCT VIEW: RIGHT SIDE UP	
	<input type="checkbox"/> ALL DIMENSIONS CORRECT. <input type="checkbox"/> LIFTERS INSTALLED. <input type="checkbox"/> "L" BARS CAST IN. <input type="checkbox"/> REINFORCING CORRECT. <input type="checkbox"/> SURFACE QUALITY ACCEPTABLE. <input type="checkbox"/> "L" BARS CORRECT SIZE. <input type="checkbox"/> REBAR MAT INSTALLED.		CUSTOMER: CLEARY CONSTRUCTION, INC.	
			PLANT: BEAVER DAM, KY.	
			PROJECT: JEFFERSON CO. CALL 200 (251007)	
			STRUCTURE ID.: 5144+07 LT DBI-13S (SEC. P1)	
			SALES ORDER NO.: 25-1684	
			P.C.: T. RYAN      DRAWING: N. RICHARDS	
		DATE: 07/11/25	SCALE: NTS	PG. 1 of 2

Job Name: 25-1684 KYTC Jefferson Co. Call 200 (251007)  
 Job Location: I-264 Louisville, Ky.  
 Contractor: Cleary Construction, Inc.

Plant: Beaver Dam, Ky.  
 7/11/2025 9:16:26 AM

Tech: N. Richards  
 PC: T. Ryan



**Structure ID: 5144+07 LT DBI-13S**

**P1 BX2460-08BAVF**

**BOX BASE 8inW, 8inF, Variable Ht**

P3) 15" x 59" - P.I.P. - BY OTHERS - 8"  
 P2) 24" x 60" - BX024060-08LD08-1559 - BX FLAT LID 8inW, w/15"x59" HOLE (KYTC DBI-13S) - 8"  
 P1) 24" x 60" - BX2460-08BAVF - BOX BASE 8inW, 8inF, Variable Ht - 62"  
 1) 24" x 60" - PSCONCS102-1 - SGL 1"x14.5' Butyl (2x) - 0"  
 1) Hole - 0"  
 2) Hole - 0"

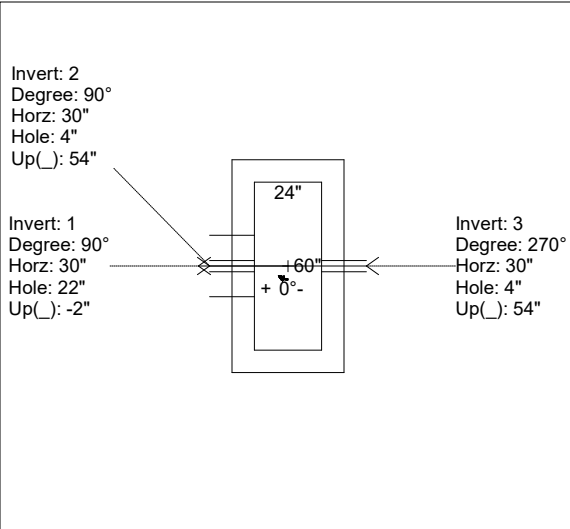
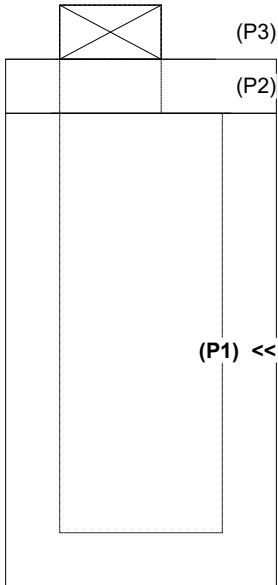
Structure Notes:  
 -KYTC STATE PROJECT 251007  
 -REINFORCING: #5 BAR @ 12" C/C E.W. (TYP.)  
 -CASTING FRAMES & GRATES BY OTHERS.  
 -CS-102 BUTYL REQUIRED (SUPPLIED BY ICAST).  
 -KYTC CERTIFICATIONS REQUIRED.

Rim: 556.83' Rim to Invert: 6.9' Slack: 4.8" Sump: 0" Step Position:

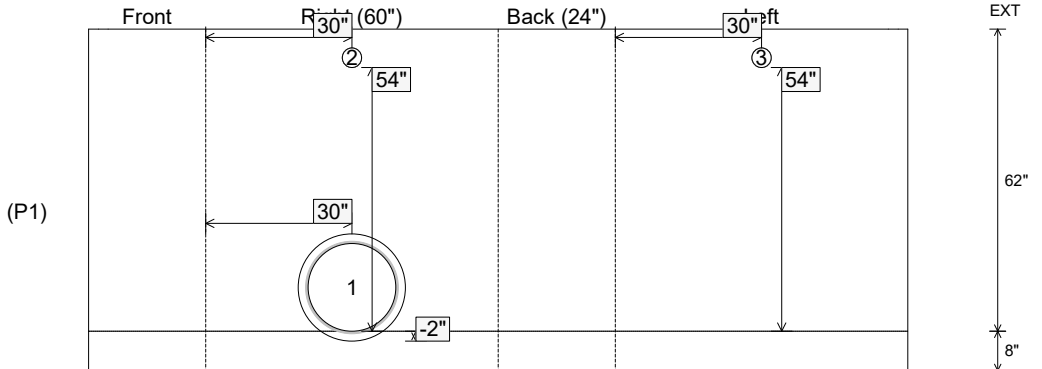
Position	Elev	Angle	Ext. (cw)	Pipe	Pipe OD	Connector	Hole	Horz Size	Up ( )	Offset
Invert 1	549.93'	90°	38"	18" CMP	19"	Hole 22	22"	22"	-2"	0"
Invert 2	554.44'	90°	38"	4" WEEP HOLE	4"	Hole 4	4"	4"	54"	0"
Invert 3	554.44'	270°	38"	4" WEEP HOLE	4"	Hole 4	4"	4"	54"	0"
Invert 4										
Invert 5										
Invert 6										
Invert 7										
Invert 8										

RIGHT-SIDE UP VIEW (int. dimensions)

UPSIDE-DOWN VIEW (int. dimensions)



INSIDE WALL DIMENSIONS



Coating (Int):  
 Coating (Ext):

Seam Up: Flat  
 Seam Dn: n/a

Wall Thickness: 8"  
 Floor Height: 8"

Height (Int): 62"  
 Height (Ext): 70"

Weight (Net): 10093 lb  
 Volume (Net): 2.58cu.yd