

**Job Name: 25-1684P2 KYTC Jefferson Co. Call 200 (251007)**  
**Job Location: I-264 Louisville, Ky.**  
**Contractor: Cleary Construction, Inc.**

PC: J. Jarvis  
 TECH: N. Richards  
 Plant: Beaver Dam, Ky.



Structure ID: **5142+47 JB-A**  
 Spec: KYTC  
 Type: Junction Box  
 Size: 60" x 60"

Rim: 552.16'  
 Invert: 546.95'  
 Rim to Invert: 5.21'

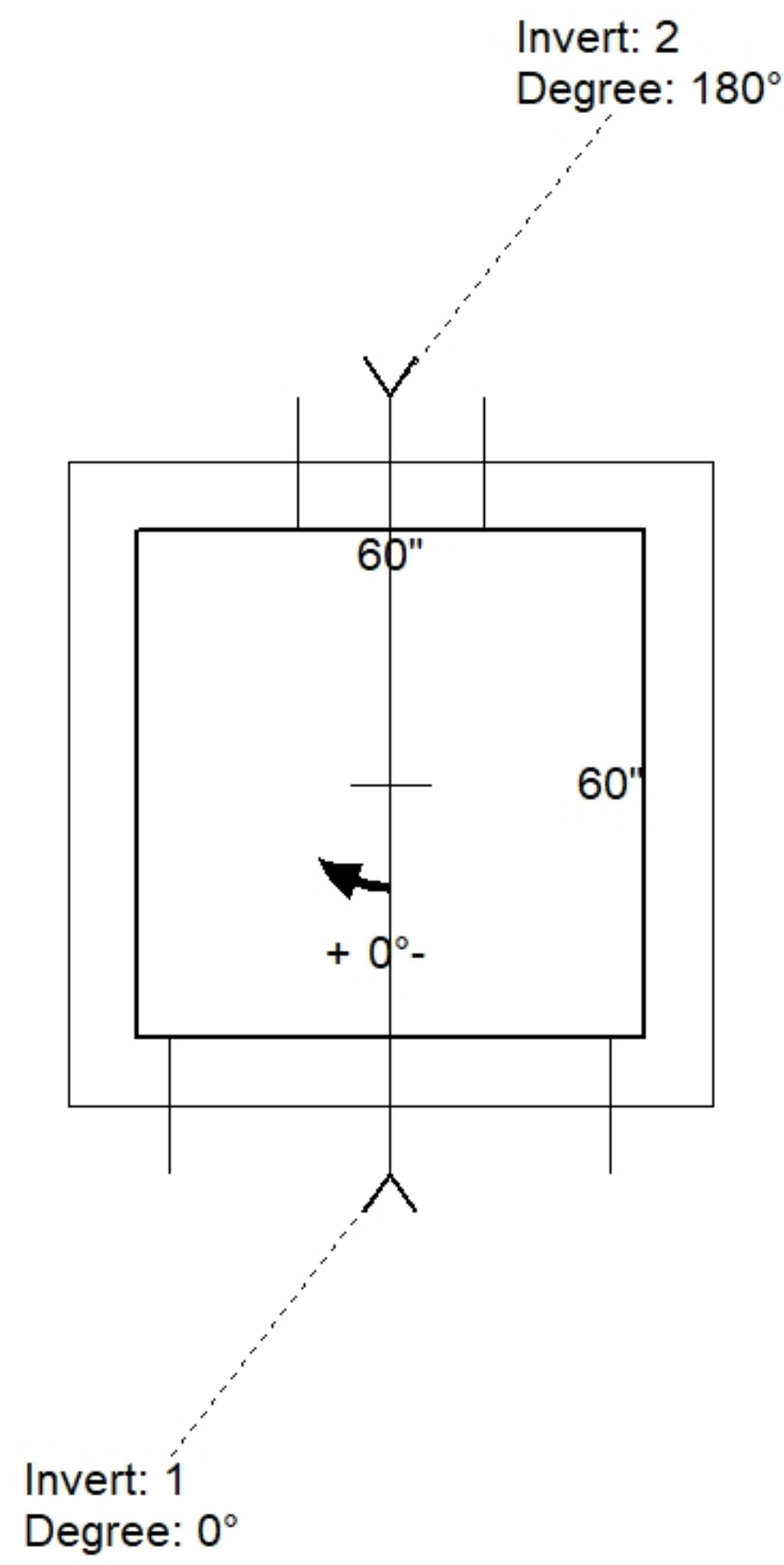
Sump: 0"  
 Floor (Top): 546.95'  
 Floor Height: 8"

Floor (Bot): 546.283'  
 Overall Height: 5.833'  
 Slack: 0.52"

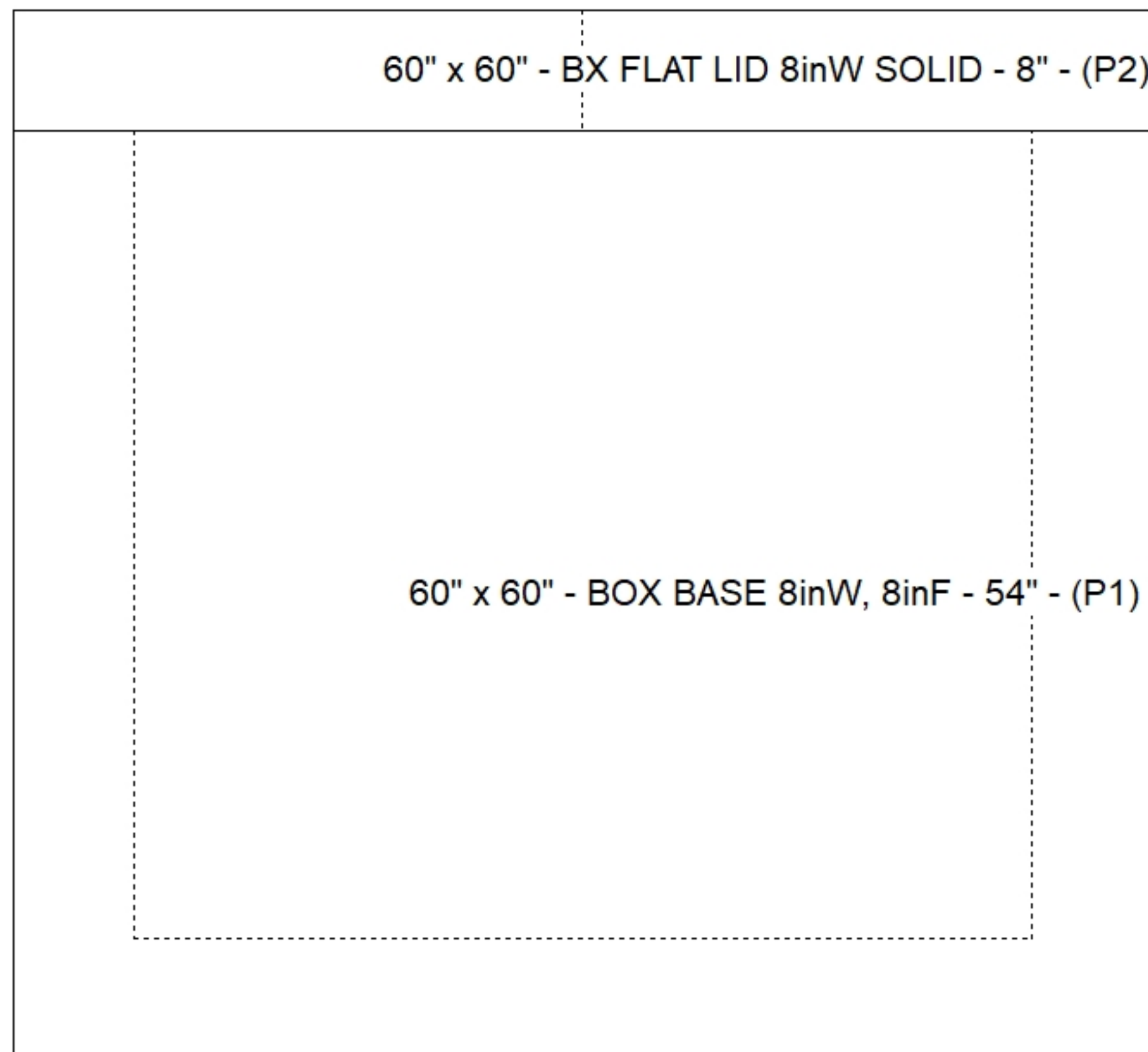
**Structure Notes:**  
 -KYTC STATE PROJECT 251007  
 -REINFORCING: #5 BAR @ 12" C/C E.W. (TYP.)  
 -CS-102 BUTYL REQUIRED (SUPPLIED BY ICAST).  
 -KYTC CERTIFICATIONS REQUIRED.  
 -48" DIAMETER HOLE REQUIRED IN FLOOR FOR DRAINAGE INTO 6'X4' RCBC.

**STRUCTURE SUMMARY:**

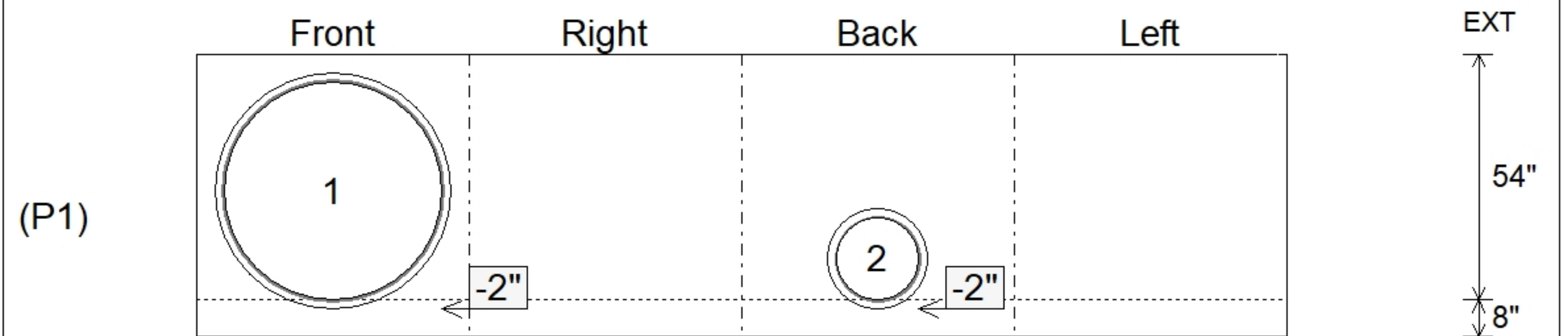
P2) 60" x 60" - BX FLAT LID 8inW SOLID - 8"	3877 lb
P1) 60" x 60" - BOX BASE 8inW, 8inF - 54"	12057 lb
1) 60" x 60" - Conseal CS-102 1.00"	0 lb
1) Hole - 52	0 lb
1) Hole - 22	0 lb
<b>Structure Total:</b>	<b>15934 lb</b>



Position	Elev	Angle	Pipe	Pipe OD	Hole	Connector	Up (L)	Ref
Rim	552.16'							
Reducer								
Invert 1	546.95'	0°	48" CMP	49"	52"	Hole 52	-2"	P1
Invert 2	546.95'	180°	18" CMP	19"	22"	Hole 22	-2"	P1
Invert 3								
Invert 4								
Invert 5								
Invert 6								
Invert 7								
Invert 8								



**Default - Interior Dimensions**



Submittal Drawing  
 12/17/2025 9:35:03 AM

SUBMITTAL  
 APPROVED BY: