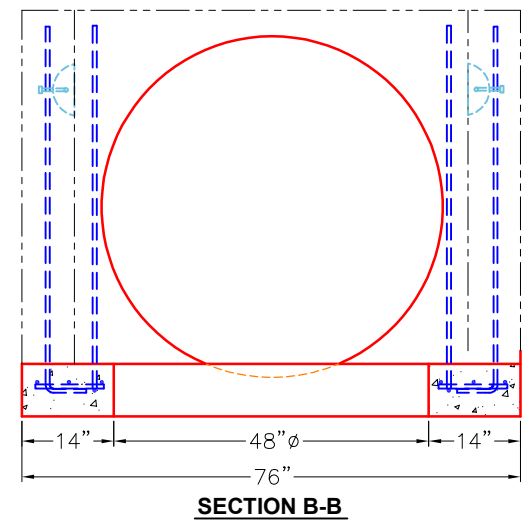
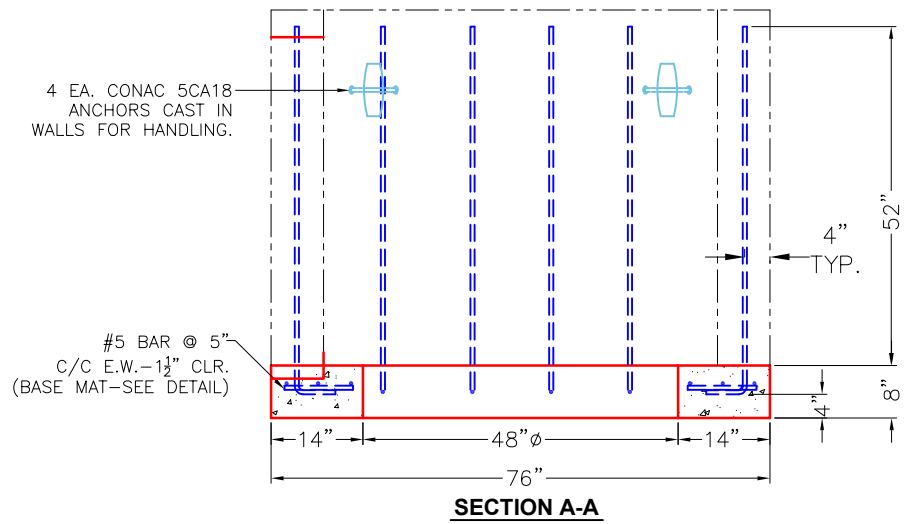
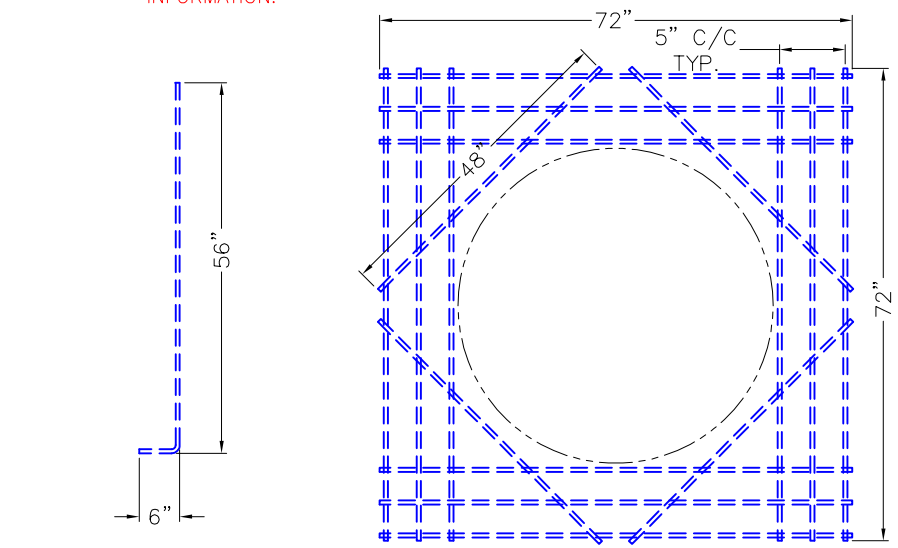
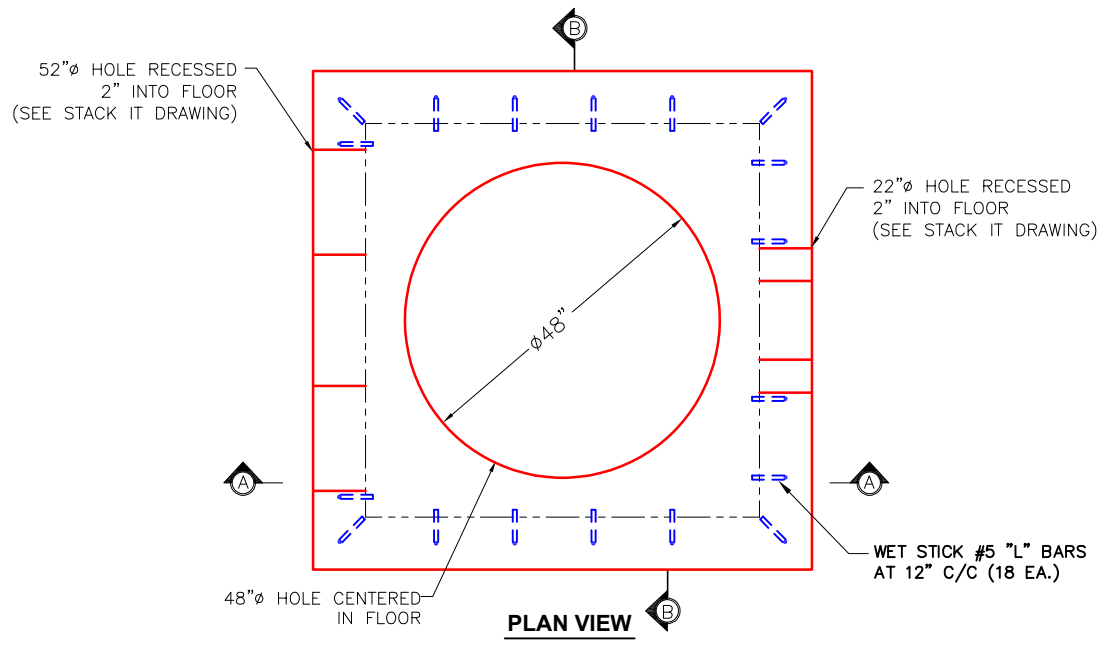



GENERAL NOTES:

1. MANUFACTURED PER ASTM C-913 (LATEST REVISION).
2. CONCRETE F'C = 4,500 PSI AT 28 DAYS.
3. REINFORCING: #5 BAR @ 12" C/C E.W. (GRADE 60).
4. #5 "L" BARS REQUIRED TO BE CAST IN FOR SECONDARY POUR OF WALLS.
5. SEE STACK-IT DRAWING FOR SECONDARY POUR OF WALLS WITH ADDITIONAL INFORMATION.



PRODUCTION WORK ORDER		PRODUCT I.D.: PRIMARY POUR	DESCRIPTION: MBI FLOOR 60" X 60" X 8" THK. W/EXT. REBAR		
	QUALITY CONTROL CHECKLIST	PRODUCT VIEW: RIGHT SIDE UP	CUSTOMER: CLEARY CONSTRUCTION, INC.		
	<input type="checkbox"/> ALL DIMENSIONS CORRECT. <input type="checkbox"/> LIFTERS INSTALLED. <input type="checkbox"/> "L" BARS CAST IN. <input type="checkbox"/> REINFORCING CORRECT. <input type="checkbox"/> SURFACE QUALITY ACCEPTABLE. <input type="checkbox"/> "L" BARS CORRECT SIZE. <input type="checkbox"/> REBAR MAT INSTALLED.	PLANT: BEAVER DAM, KY.	PROJECT: JEFFERSON CO. CALL 200 (251007)		
		WEIGHT: 3,905 LBS.	STRUCTURE ID.: 5142+47 JB-A (SEC. P1)		
		TOP SECTION JOINT: N/A	SALES ORDER NO.: 25-1684		
		BASE SECTION JOINT: FLAT	P.C.: T. RYAN	DRAWING: N. RICHARDS	
		QC CHECK INITIALS:	DATE: 06/30/25	SCALE: NTS	PG. 1 of 2

Job Name: 25-1684 KYTC Jefferson Co. Call 200 (251007)
 Job Location: I-264 Louisville, Ky.
 Contractor: Cleary Construction, Inc.

Plant: Beaver Dam, Ky.
 7/11/2025 9:15:26 AM

Tech: N. Richards
 PC: T. Ryan



Structure ID: 5142+47 JB-A

P1 BX6060-08BA54

BOX BASE 8inW, 8inF

P2) 60" x 60" - BX060060-08LD08S - BX FLAT LID 8inW SOLID - 8"
 P1) 60" x 60" - BX6060-08BA54 - BOX BASE 8inW, 8inF - 54"
 1) Hole - 0"
 1) Hole - 0"

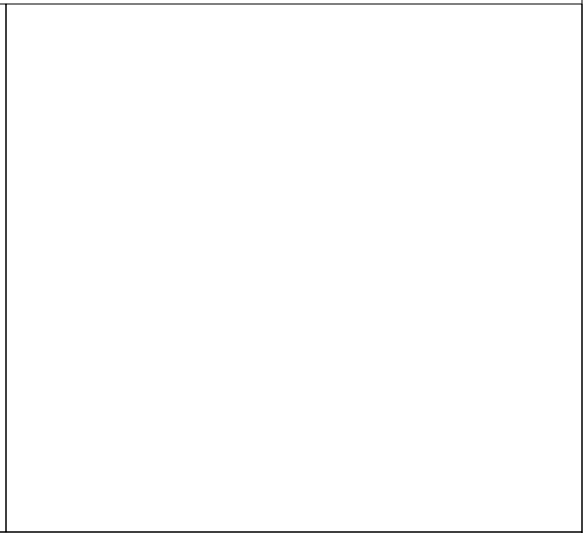
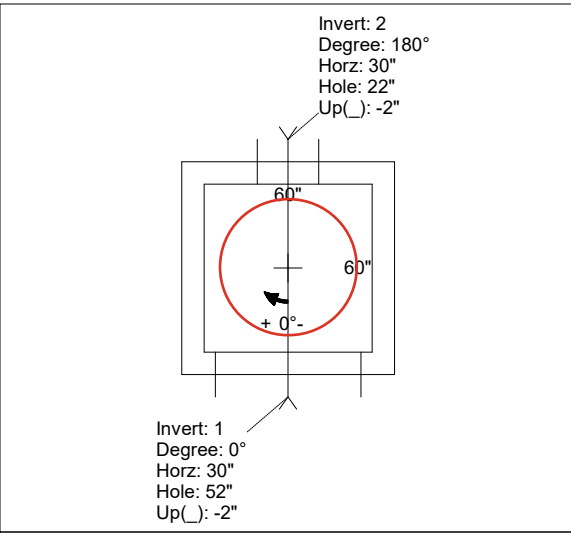
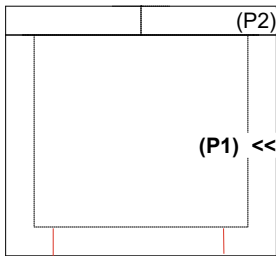
Structure Notes:
 -KYTC STATE PROJECT 251007
 -REINFORCING: #5 BAR @ 12" C/C E.W. (TYP.)
 -CS-102 BUTYL REQUIRED (SUPPLIED BY ICAST).
 -KYTC CERTIFICATIONS REQUIRED.
 -48" DIAMETER HOLE REQUIRED IN FLOOR FOR DRAINAGE INTO 6'X4' RCBC.
 -PAGE 2 OF 2. SEE PAGE 1 OF 2 FOR FLOOR WITH EXTENDED REBAR AND HOLE IN FLOOR.

Rim: 552.16' Rim to Invert: 5.21' Slack: 0.52" Sump: 0" Step Position:

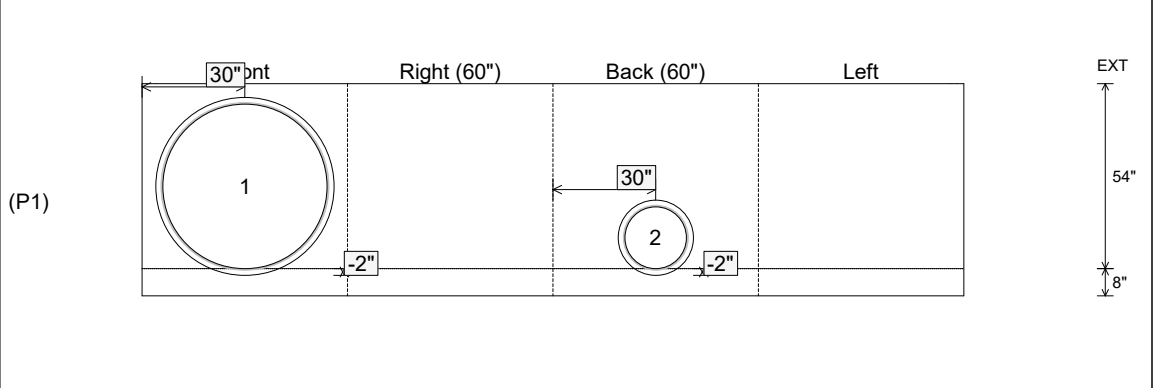
Position	Elev	Angle	Ext. (cw)	Pipe	Pipe OD	Connector	Hole	Horz Size	Up (↓)	Offset
Invert 1	546.95'	0°	38"	48" CMP	49"	Hole 52	52"	52"	-2"	0"
Invert 2	546.95'	180°	38"	18" CMP	19"	Hole 22	22"	22"	-2"	0"
Invert 3										
Invert 4										
Invert 5										
Invert 6										
Invert 7										
Invert 8										

RIGHT-SIDE UP VIEW (int. dimensions)

UPSIDE-DOWN VIEW (int. dimenions)



INSIDE WALL DIMENSIONS



Coating (Int):
 Coating (Ext):

Seam Up: Flat
 Seam Dn: n/a

Wall Thickness: 8"
 Floor Height: 8"

Height (Int): 54"
 Height (Ext): 62"

Weight (Net): 12057 lb
 Volume (Net): 3.08cu.yd