

Job Name: 25-1684 KYTC Jefferson Co. Call 200 (251007)
 Job Location: I-264 Louisville, Ky.
 Contractor: Cleary Construction, Inc.

Plant: Beaver Dam, Ky.
 7/11/2025 9:19:05 AM

Tech: N. Richards
 PC: T. Ryan



Structure ID: 5141+50 RT CBBI-MOD B1

P1 BX2436-08BA60

BOX BASE 8inW, 8inF

P3) 24" x 120" - CMBBIT9-B1LH - CB MED BAR BOX INLET 9B1 LH - 17"
 P2) 24" x 36" - BX2436-08R-VH - BOX RISER 8inW, Variable Ht - 39"
 P1) 24" x 36" - BX2436-08BA60 - BOX BASE 8inW, 8inF - 60"
 2) 24" x 36" - PSCONCS102-1 - SGL 1"x14.5' Butyl - 0"
 1) Hole - 0"

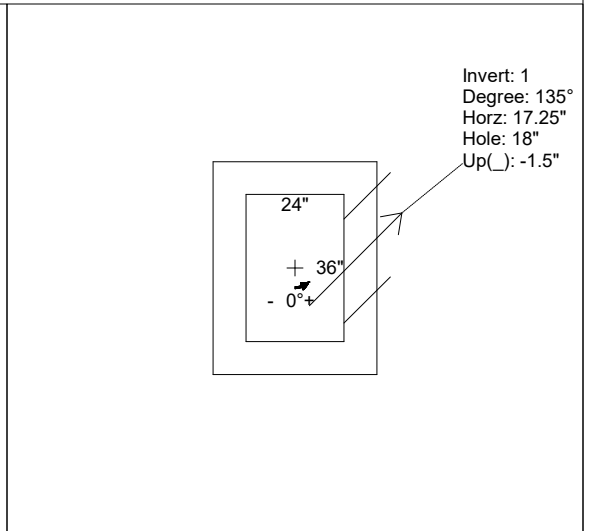
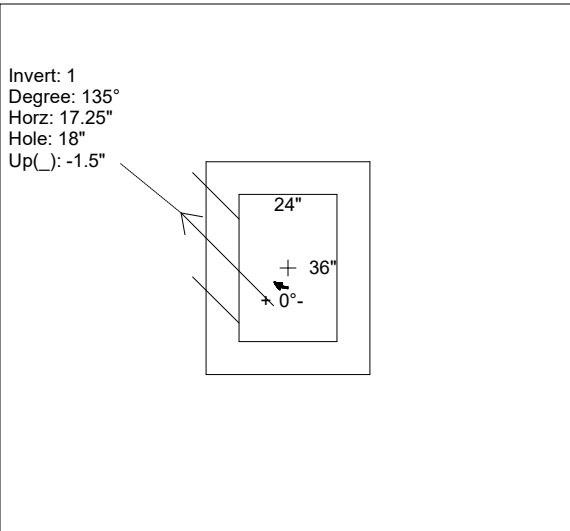
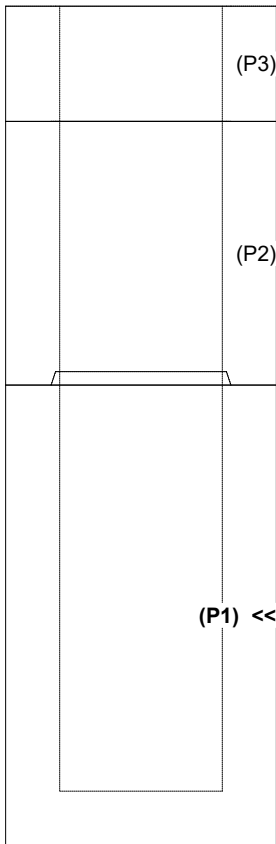
Structure Notes:
 -KYTC STATE PROJECT 251007
 -REINFORCING: #5 BAR @ 12" C/C E.W. (TYP.)
 -CASTING FRAMES & GRATES BY OTHERS.
 -CS-102 BUTYL REQUIRED (SUPPLIED BY ICAST).
 -KYTC CERTIFICATIONS REQUIRED.

Rim: 556.26' Rim to Invert: 10' Slack: 4" Sump: 0" Step Position:

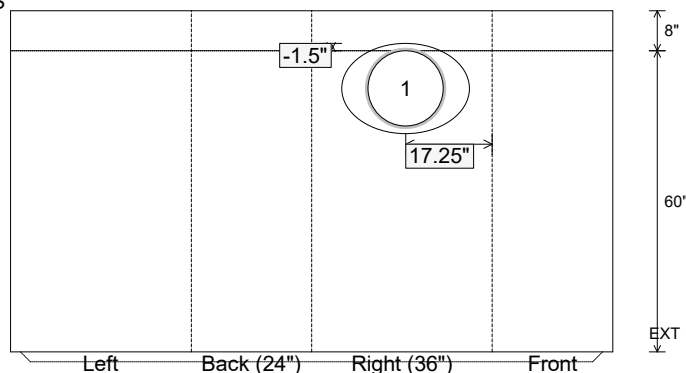
Position	Elev	Angle	Ext. (cw)	Pipe	Pipe OD	Connector	Hole	Horz Size	Up (↓)	Offset
Invert 1	546.26'	135°	33.25"	15" CMP	16"	Hole 18	18"	25.456"	-1.5"	-9"
Invert 2										
Invert 3										
Invert 4										
Invert 5										
Invert 6										
Invert 7										
Invert 8										

RIGHT-SIDE UP VIEW (int. dimensions)

UPSIDE-DOWN VIEW (int. dimenions)



INSIDE WALL DIMENSIONS



Coating (Int):
 Coating (Ext):

Seam Up: Tongue
 Seam Dn: n/a

Wall Thickness: 8"
 Floor Height: 8"

Height (Int): 60"
 Height (Ext): 68"

Weight (Net): 7277 lb
 Volume (Net): 1.86cu.yd