

Job Name: 25-1684P2 KYTC Jefferson Co. Call 200 (251007)
Job Location: I-264 Louisville, Ky.
Contractor: Cleary Construction, Inc.

PC: J. Jarvis
 TECH: N. Richards
 Plant: Beaver Dam, Ky.



Structure ID: 5138+07 RT CBBI-MOD B1

Spec: KYTC
 Type: MBI TYPE 9
 Size: 24" x 36"

Rim: 557.79'
 Invert: 552.89'
 Rim to Invert: 4.9'

Sump: 0"
 Floor (Top): 552.89'
 Floor Height: 8"

Floor (Bot): 552.223'
 Overall Height: 5.25'
 Slack: 3.8"

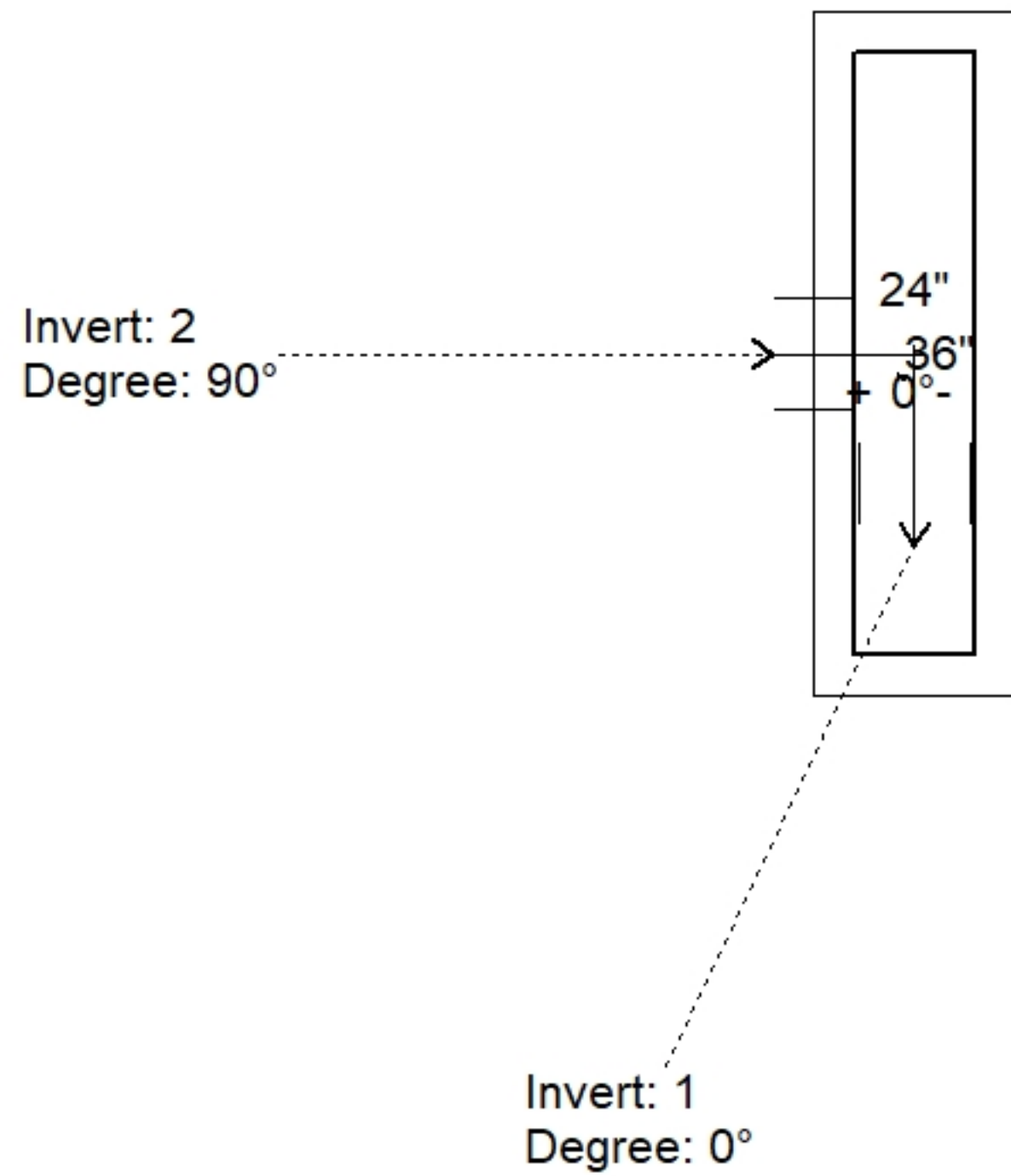
Structure Notes:

- KYTC STATE PROJECT 251007
- REINFORCING: #5 BAR @ 12" C/C E.W. (TYP.)
- CASTING FRAMES & GRATES BY OTHERS.
- CS-102 BUTYL REQUIRED (SUPPLIED BY ICAST).
- KYTC CERTIFICATIONS REQUIRED.

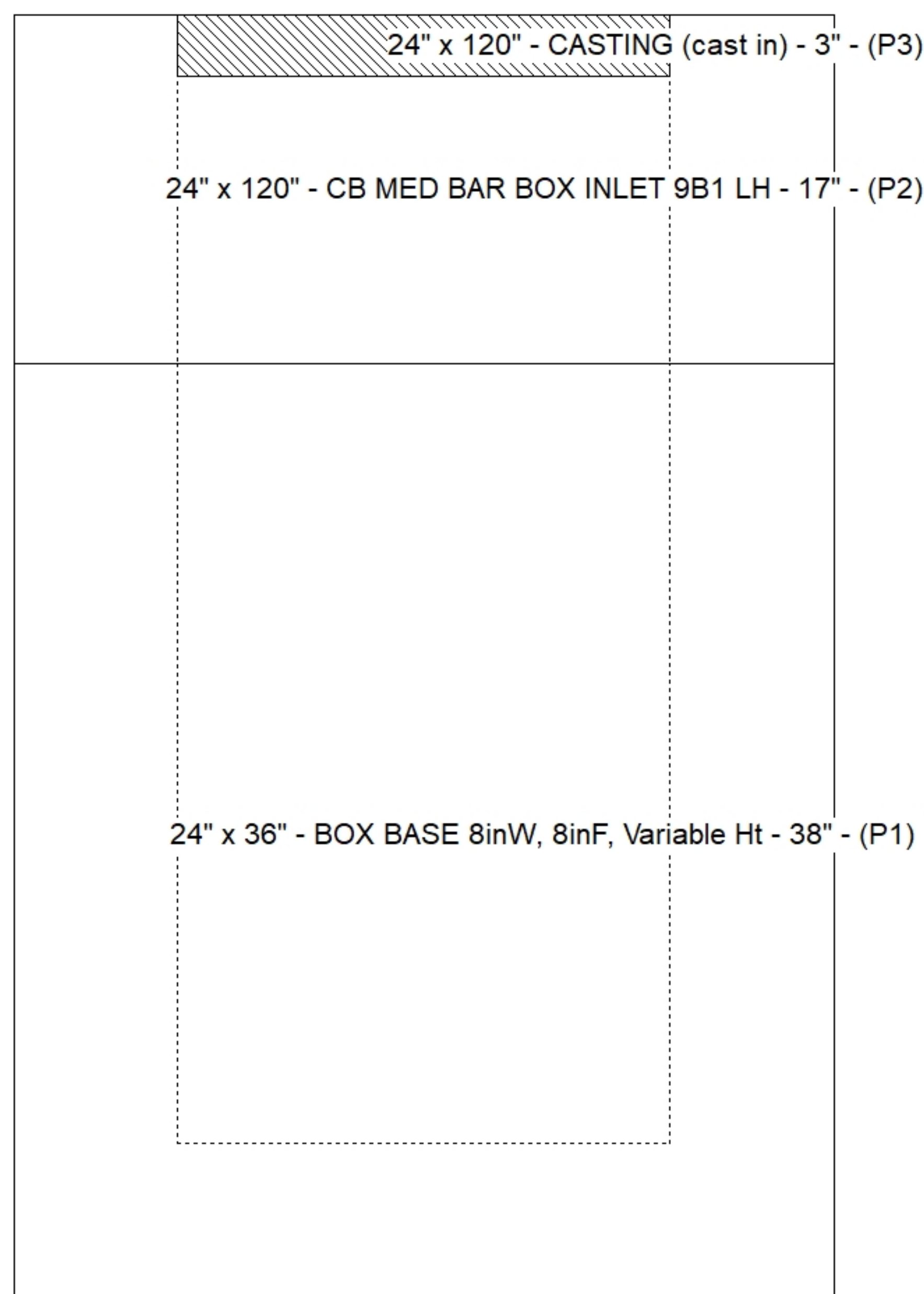
STRUCTURE SUMMARY:

P3) 24" x 120" - CASTING (cast in) - 3"	0 lb
P2) 24" x 120" - CB MED BAR BOX INLET 9B1 LH - 17"	4000 lb
P1) 24" x 36" - BOX BASE 8inW, 8inF, Variable Ht - 38"	4763 lb
1) 24" x 36" - Conseal CS-102 1.00"	0 lb
2) Hole - 22"	0 lb

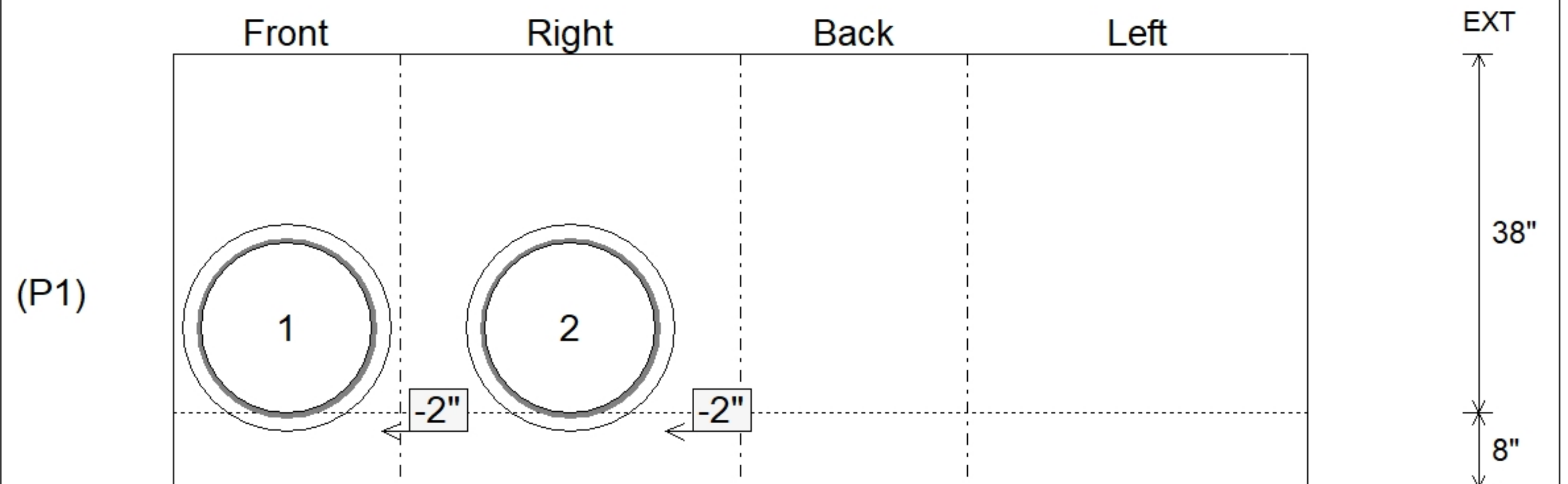
Structure Total:	8763 lb



Position	Elev	Angle	Pipe	Pipe OD	Hole	Connector	Up (L)	Ref
Rim	557.79'							
Reducer								
Invert 1	552.89'	0°	18" CMP	19"	22"	Hole 22	-2"	P1
Invert 2	552.89'	90°	18" CMP	19"	22"	Hole 22	-2"	P1
Invert 3								
Invert 4								
Invert 5								
Invert 6								
Invert 7								
Invert 8								



Default - Interior Dimensions



Submittal Drawing
 12/17/2025 9:35:07 AM

SUBMITTAL
 APPROVED BY: