

Job Name: 25-1684P2 KYTC Jefferson Co. Call 200 (251007)
Job Location: I-264 Louisville, Ky.
Contractor: Cleary Construction, Inc.

PC: J. Jarvis
 TECH: N. Richards
 Plant: Beaver Dam, Ky.



Structure ID: 5134+09 RT DBI TYPE 1-NA

Spec: KYTC
 Type: DBI TYPE 1
 Size: 36" x 36"

Rim: 562.1'
 Invert: 555'
 Rim to Invert: 7.1'

Sump: 0"
 Floor (Top): 555'
 Floor Height: 8"

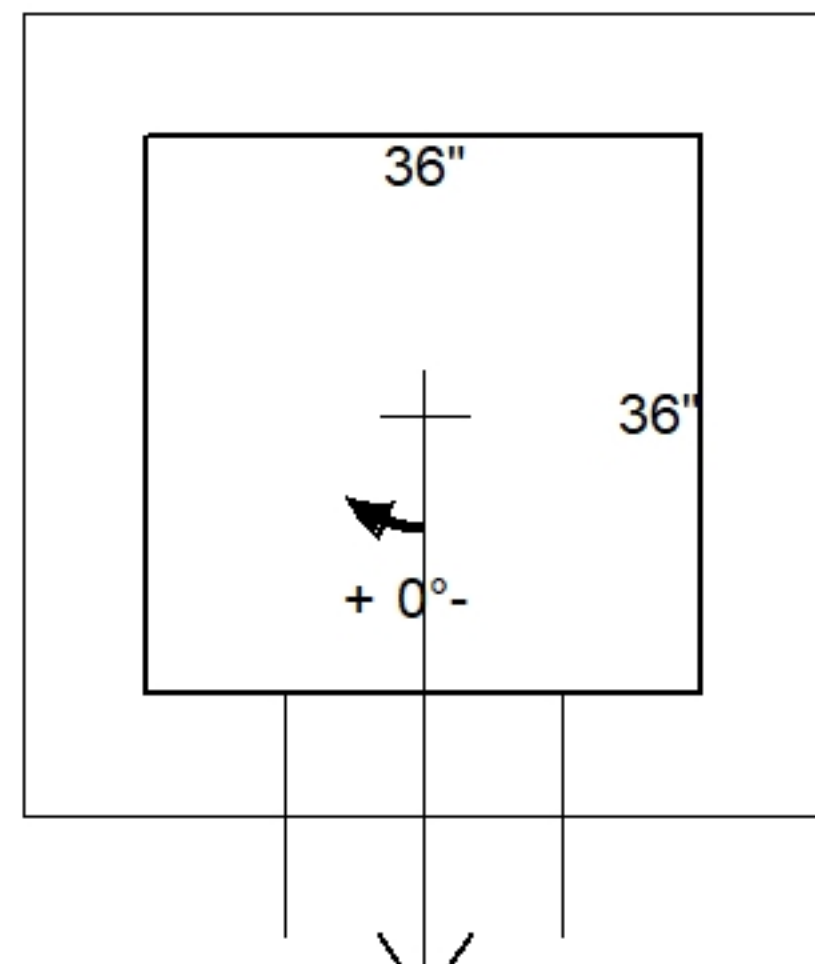
Floor (Bot): 554.333'
 Overall Height: 7.667'
 Slack: 1.2"

Structure Notes:

- KYTC STATE PROJECT 251007
- REINFORCING: #5 BAR @ 12" C/C E.W. (TYP.)
- TOP SLAB WITH FRAME & GRATES BY OTHERS (NO APRON).
- CS-102 BUTYL REQUIRED (SUPPLIED BY ICAST).
- KYTC CERTIFICATIONS REQUIRED.
- #5 BAR EXTENDED OUT OF TOP OF RISER 20" AT 12" C/C.

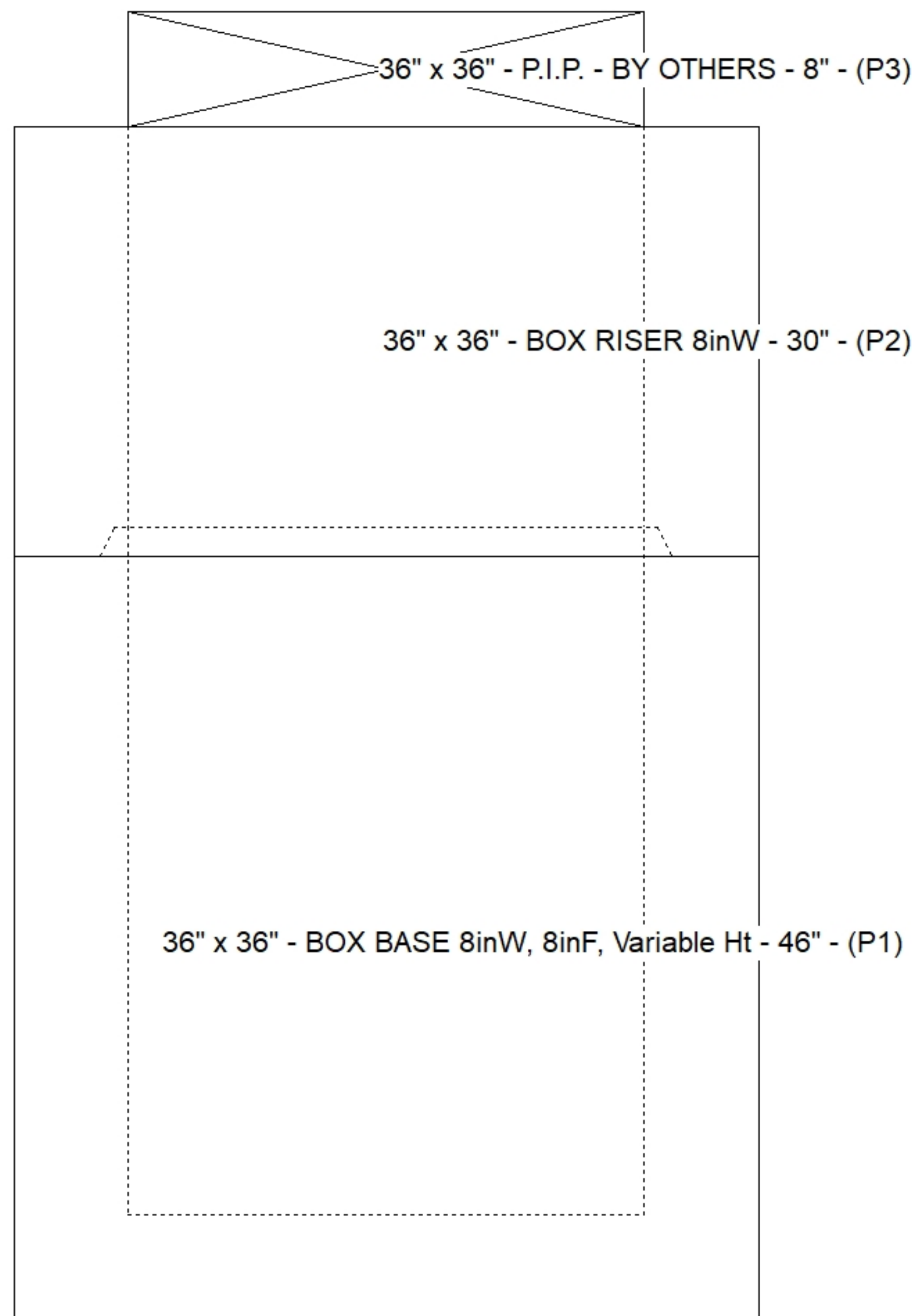
STRUCTURE SUMMARY:

P3) 36" x 36" - P.I.P. - BY OTHERS - 8"	0 lb
P2) 36" x 36" - BOX RISER 8inW - 30"	3544 lb
P1) 36" x 36" - BOX BASE 8inW, 8inF, Variable Ht - 46"	7079 lb
1) 36" x 36" - Conseal CS-102 1.00"	0 lb
1) Hole - 18	0 lb
Structure Total:	10624 lb

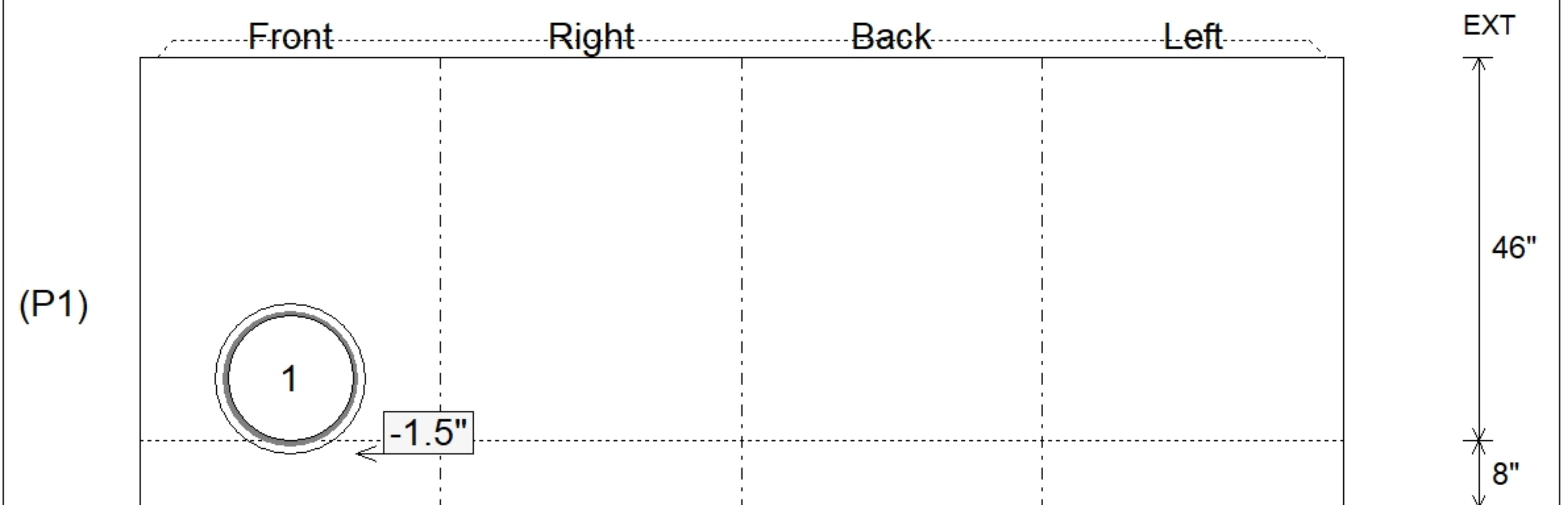


Invert: 1
 Degree: 0°

Position	Elev	Angle	Pipe	Pipe OD	Hole	Connector	Up (L)	Ref
Rim	562.1'							
Reducer								
Invert 1	555'	0°	15" CMP	16"	18"	Hole 18	-1.5"	P1
Invert 2								
Invert 3								
Invert 4								
Invert 5								
Invert 6								
Invert 7								
Invert 8								



Default - Interior Dimensions



Submittal Drawing
 12/17/2025 9:35:08 AM

SUBMITTAL
 APPROVED BY: