

Job Name: 25-1684 KYTC Jefferson Co. Call 200 (251007)  
 Job Location: I-264 Louisville, Ky.  
 Contractor: Cleary Construction, Inc.

Plant: Beaver Dam, Ky.  
 7/11/2025 9:24:09 AM

Tech: N. Richards  
 PC: T. Ryan



**Structure ID: 5134+09 RT CBBI-MOD B1**

**P1 BX2436-08BA36**

**BOX BASE 8inW, 8inF**

- P2) 24" x 120" - CMBBIT9-B1LH - CB MED BAR BOX INLET 9B1 LH - 17"
- P1) 24" x 36" - BX2436-08BA36 - BOX BASE 8inW, 8inF - 36"
- 1) 24" x 36" - PSCONCS102-1 - SGL 1"x14.5' Butyl - 0"
- 1) Hole - 0"
- 1) Hole - 0"
- 1) Hole - 0"

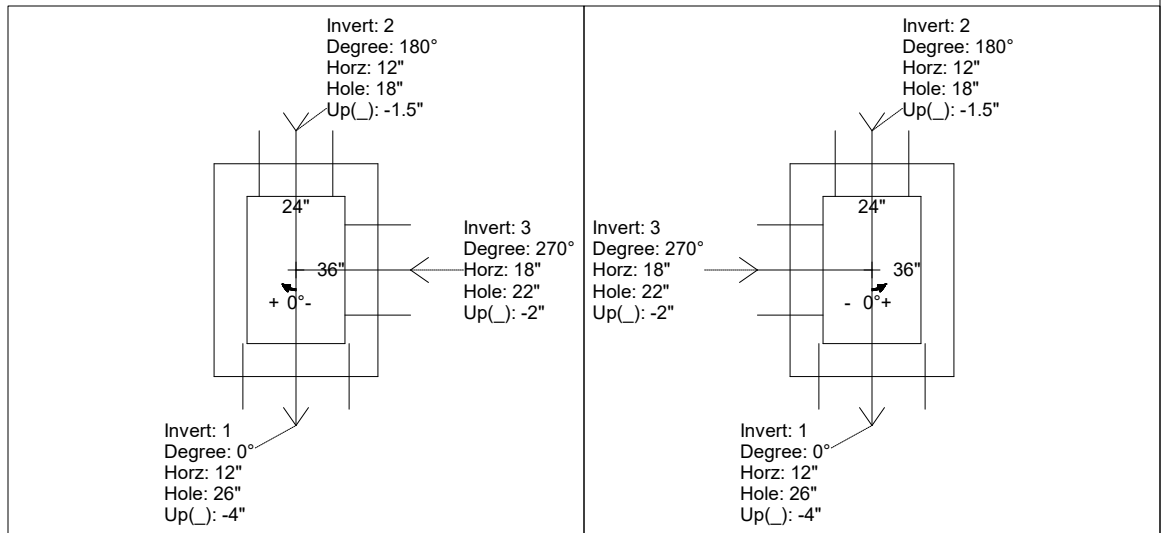
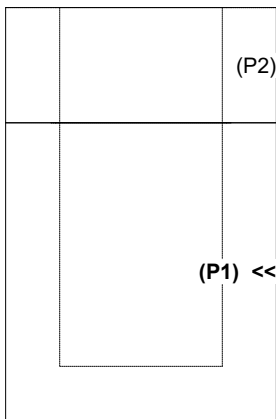
**Structure Notes:**  
 -KYTC STATE PROJECT 251007  
 -REINFORCING: #5 BAR @ 12" C/C E.W. (TYP.)  
 -CASTING FRAMES & GRATES BY OTHERS.  
 -CS-102 BUTYL REQUIRED (SUPPLIED BY ICAST).  
 -KYTC CERTIFICATIONS REQUIRED.

Rim: 559.71' Rim to Invert: 4.8' Slack: 4.6" Sump: 0" Step Position:

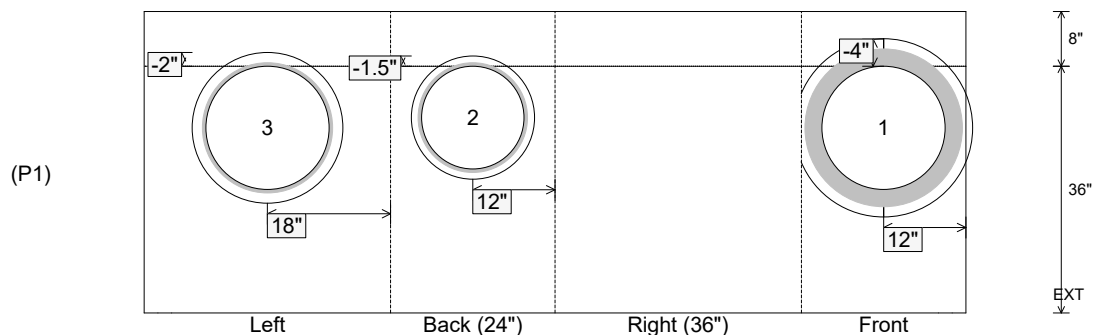
Position	Elev	Angle	Ext. (cw)	Pipe	Pipe OD	Connector	Hole	Horz Size	Up (")	Offset
Invert 1	554.91'	0°	20"	18" RCP B WALL	23"	Hole 26	26"	25"	-4"	0"
Invert 2	554.91'	180°	20"	15" CMP	16"	Hole 18	18"	18"	-1.5"	0"
Invert 3	554.91'	270°	26"	18" CMP	19"	Hole 22	22"	22"	-2"	0"
Invert 4										
Invert 5										
Invert 6										
Invert 7										
Invert 8										

RIGHT-SIDE UP VIEW (int. dimensions)

UPSIDE-DOWN VIEW (int. dimensions)



INSIDE WALL DIMENSIONS



Coating (Int):  
 Coating (Ext):

Seam Up: Flat  
 Seam Dn: n/a

Wall Thickness: 8"  
 Floor Height: 8"

Height (Int): 36"  
 Height (Ext): 44"

Weight (Net): 4376 lb  
 Volume (Net): 1.12cu.yd