

Job Name: 25-1684 KYTC Jefferson Co. Call 200 (251007)
 Job Location: I-264 Louisville, Ky.
 Contractor: Cleary Construction, Inc.

Plant: Beaver Dam, Ky.
 7/11/2025 9:24:38 AM

Tech: N. Richards
 PC: T. Ryan



Structure ID: 5132+72 RT DBI TYPE 1-NA

P1 BX3636-08BAVF

BOX BASE 8inW, 8inF, Variable Ht

- P3) 36" x 36" - P.I.P. - BY OTHERS - 8"
- P2) 36" x 36" - BX3636-08R30 - BOX RISER 8inW - 30"
- P1) 36" x 36" - BX3636-08BAVF - BOX BASE 8inW, 8inF, Variable Ht - 46"
- 2) 36" x 36" - PSCONCS102-1 - SGL 1"x14.5' Butyl - 0"
- 1) Hole - 0"

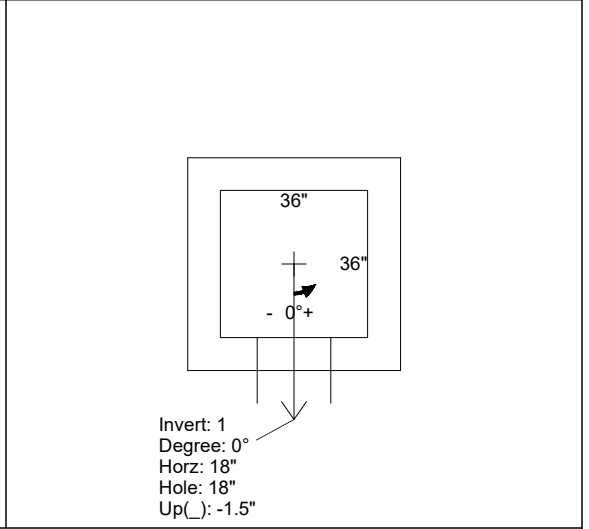
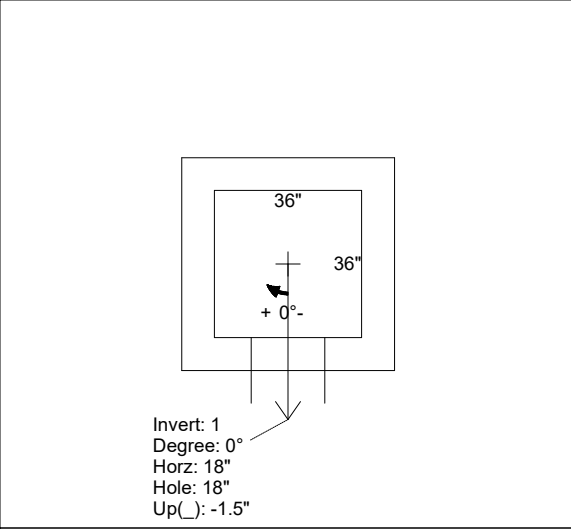
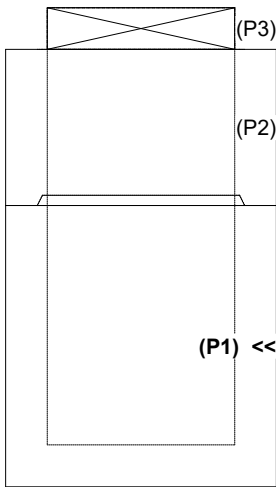
Structure Notes:
 -KYTC STATE PROJECT 251007
 -REINFORCING: #5 BAR @ 12" C/C E.W. (TYP.)
 -TOP SLAB WITH FRAME & GRATES BY OTHERS (NO APRON).
 -CS-102 BUTYL REQUIRED (SUPPLIED BY ICAST).
 -KYTC CERTIFICATIONS REQUIRED.

Rim: 562.8' Rim to Invert: 7' Slack: 0" Sump: 0" Step Position:

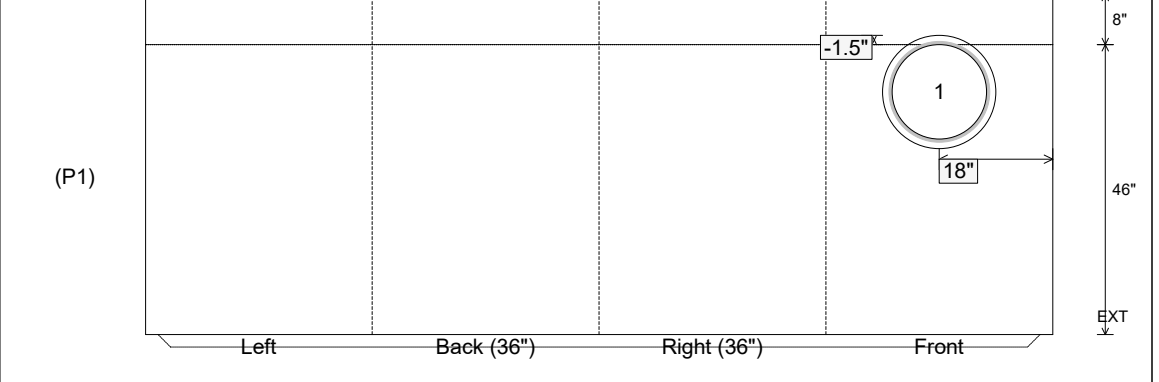
Position	Elev	Angle	Ext. (cw)	Pipe	Pipe OD	Connector	Hole	Horz Size	Up ()	Offset
Invert 1	555.8'	0°	26"	15" CMP	16"	Hole 18	18"	18"	-1.5"	0"
Invert 2										
Invert 3										
Invert 4										
Invert 5										
Invert 6										
Invert 7										
Invert 8										

RIGHT-SIDE UP VIEW (int. dimensions)

UPSIDE-DOWN VIEW (int. dimensions)



INSIDE WALL DIMENSIONS



Coating (Int): Coating (Ext):	Seam Up: Tongue Seam Dn: n/a	Wall Thickness: 8" Floor Height: 8"	Height (Int): 46" Height (Ext): 54"	Weight (Net): 7079 lb Volume (Net): 1.81cu.yd
----------------------------------	---------------------------------	--	--	--