

Job Name: 25-1684 KYTC Jefferson Co. Call 200 (251007)
 Job Location: I-264 Louisville, Ky.
 Contractor: Cleary Construction, Inc.

Plant: Beaver Dam, Ky.
 8/20/2025 2:20:07 PM

Tech: N. Richards
 PC: T. Ryan



Structure ID: 5095+00 LT JB-A

P1 BX3648-08BA42

BOX BASE 8inW, 8inF

- P2) 36" x 48" - BX3648_08LD08 - CB FLAT TOP 8"W SOLID - 8"
- P1) 36" x 48" - BX3648-08BA42 - BOX BASE 8inW, 8inF - 42"
- 1) 36" x 48" - PSCONCS102-1 - Conseal CS-102 1.00" - 0"
- 2) Hole - 0"
- 1) Hole - 0"

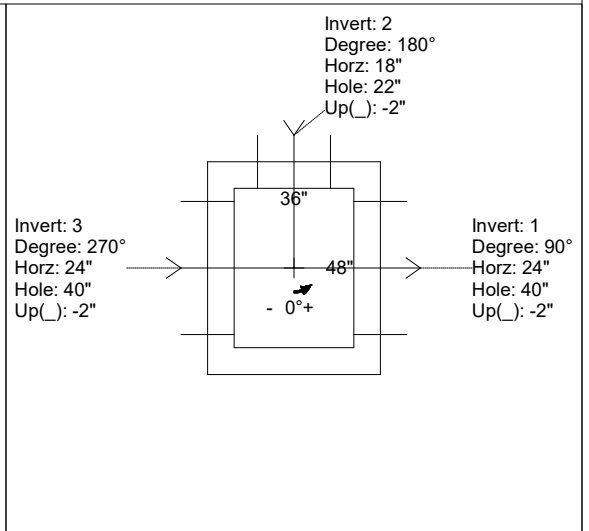
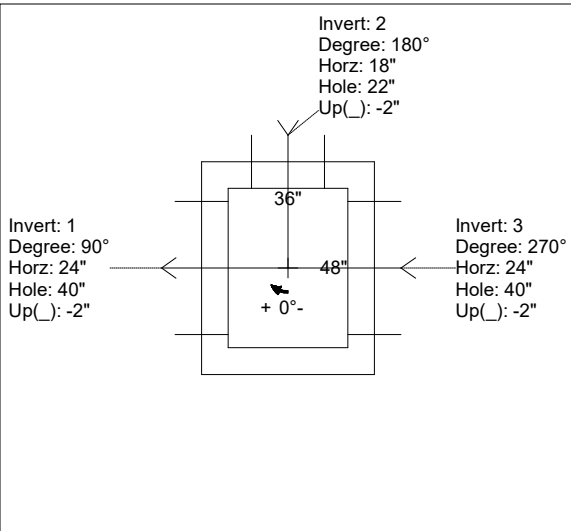
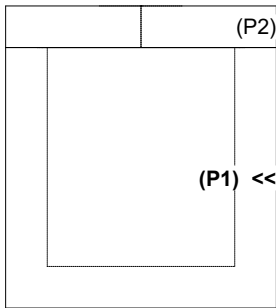
Structure Notes:
 -KYTC STATE PROJECT 251007
 -REINFORCING: #5 BAR @ 12" C/C E.W. (TYP.)
 -CS-102 BUTYL REQUIRED (SUPPLIED BY ICAST).
 -KYTC CERTIFICATIONS REQUIRED.

Rim: 583.6' Rim to Invert: 4.2' Slack: 0.4" Sump: 0" Step Position:

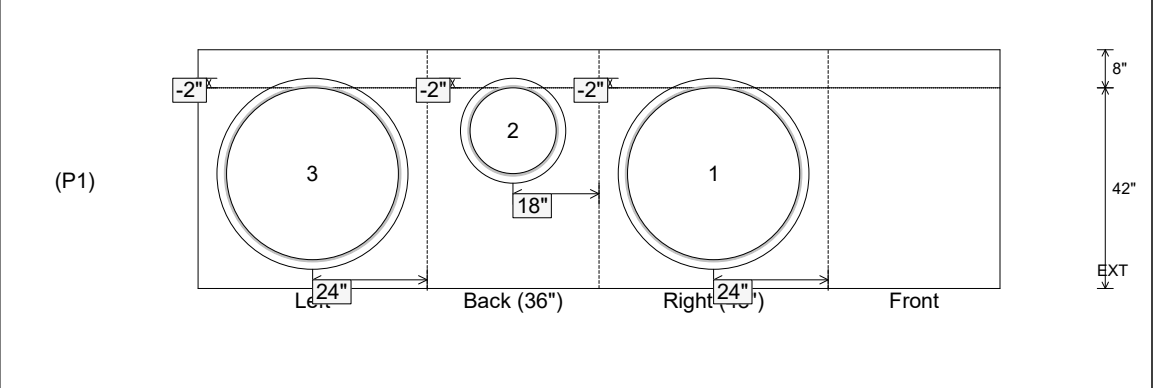
Position	Elev	Angle	Ext. (cw)	Pipe	Pipe OD	Connector	Hole	Horz Size	Up ()	Offset
Invert 1	579.4'	90°	32"	36" CMP	37"	Hole 40	40"	40"	-2"	0"
Invert 2	579.4'	180°	26"	18" CMP	19"	Hole 22	22"	22"	-2"	0"
Invert 3	579.4'	270°	32"	36" CMP	37"	Hole 40	40"	40"	-2"	0"
Invert 4										
Invert 5										
Invert 6										
Invert 7										
Invert 8										

RIGHT-SIDE UP VIEW (int. dimensions)

UPSIDE-DOWN VIEW (int. dimensions)



INSIDE WALL DIMENSIONS



Coating (Int): Coating (Ext):	Seam Up: Flat Seam Dn: n/a	Wall Thickness: 8" Floor Height: 8"	Height (Int): 42" Height (Ext): 50"	Weight (Net): 5931 lb Volume (Net): 1.52cu.yd
----------------------------------	-------------------------------	--	--	--