

Job Name: 25-1684 P3 KYTC Jefferson Co. Call 200 (251007)  
 Job Location: I-264 Louisville, Ky.  
 Contractor: Cleary Construction, Inc.

Plant: Beaver Dam, Ky.  
 2/6/2026 10:13:53 AM

Tech: J. Coppage  
 PC: J. Jarvis



**Structure ID: 5127+55 JB-A**

**P1 BX2436-08BA36**

**BOX BASE 8inW, 8inF**

- P2) 24" x 36" - BX FLAT LID 8inW SOLID - 8"
- P1) 24" x 36" - BOX BASE 8inW, 8inF - 36"
- 1) 24" x 36" - Conseal CS-102 1.00"
- 1) Hole - 28
- 1) Hole - 34

1396 lb  
 4032 lb  
 0 lb  
 0 lb  
 0 lb  
 Structure Total: 5429 lb

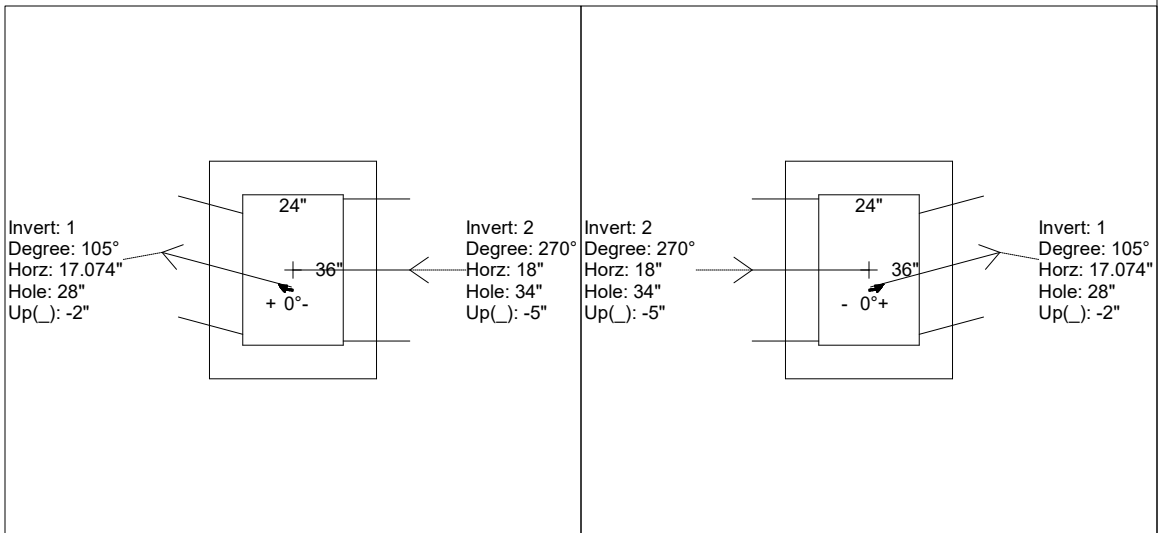
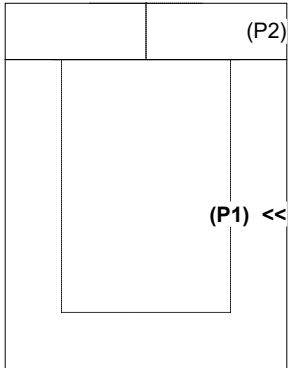
**Structure Notes:**  
 -KYTC STATE PROJECT 251007  
 -REINFORCING: #5 BAR @ 12" C/C E.W. (TYP.)  
 -CS-102 BUTYL REQUIRED (SUPPLIED BY ICAST).  
 -KYTC CERTIFICATIONS REQUIRED.

Rim: 558.42' Rim to Invert: 3.67' Slack: 0.04" Sump: 0" Step Position:

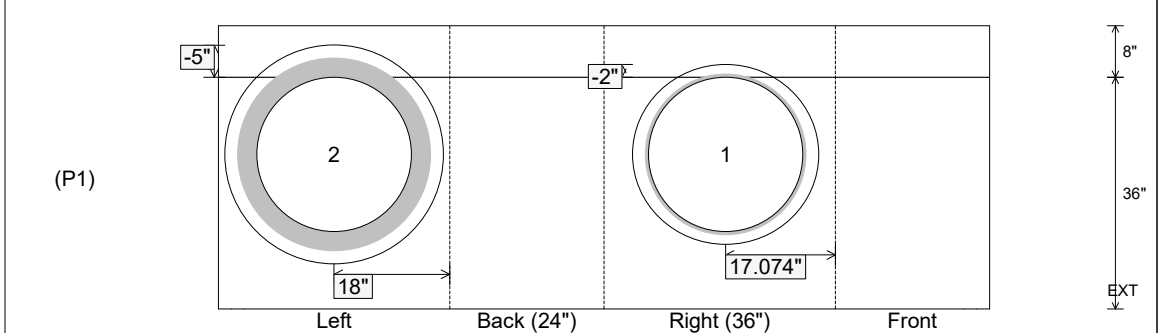
| Position | Elev    | Angle | Ext. (cw) | Pipe           | Pipe OD | Connector | Hole | Horz Size | Up ( ) | Offset |
|----------|---------|-------|-----------|----------------|---------|-----------|------|-----------|--------|--------|
| Invert 1 | 554.75' | 105°  | 27.218"   | 24" CMP        | 25"     | Hole 28   | 28"  | 28.988"   | -2"    | -4"    |
| Invert 2 | 554.75' | 270°  | 26"       | 24" RCP B WALL | 30"     | Hole 34   | 34"  | 34"       | -5"    | 0"     |
| Invert 3 |         |       |           |                |         |           |      |           |        |        |
| Invert 4 |         |       |           |                |         |           |      |           |        |        |
| Invert 5 |         |       |           |                |         |           |      |           |        |        |
| Invert 6 |         |       |           |                |         |           |      |           |        |        |
| Invert 7 |         |       |           |                |         |           |      |           |        |        |
| Invert 8 |         |       |           |                |         |           |      |           |        |        |

RIGHT-SIDE UP VIEW (int. dimensions)

UPSIDE-DOWN VIEW (int. dimensions)



INSIDE WALL DIMENSIONS



|                                  |                               |  |  |  |
|----------------------------------|-------------------------------|--|--|--|
| Coating (Int):<br>Coating (Ext): | Seam Up: Flat<br>Seam Dn: n/a | Wall Thickness: 8"<br>Floor Height: 8" | Height (Int): 36"<br>Height (Ext): 44" | Weight (Net): 4032 lb<br>Volume (Net): 1.03cu.yd |
|----------------------------------|-------------------------------|--|--|--|