

Job Name: 25-1684 P3 KYTC Jefferson Co. Call 200 (251007)
Job Location: I-264 Louisville, Ky.
Contractor: Cleary Construction, Inc.

PC: J. Jarvis
 TECH: J. Coppage
 Plant: Beaver Dam, Ky.



Structure ID: **5116+07 JB-A**
 Spec: KYTC
 Type: Junction Box
 Size: 36" x 60"

Rim: 4.75'
 Invert: 0'
 Rim to Invert: 4.75'

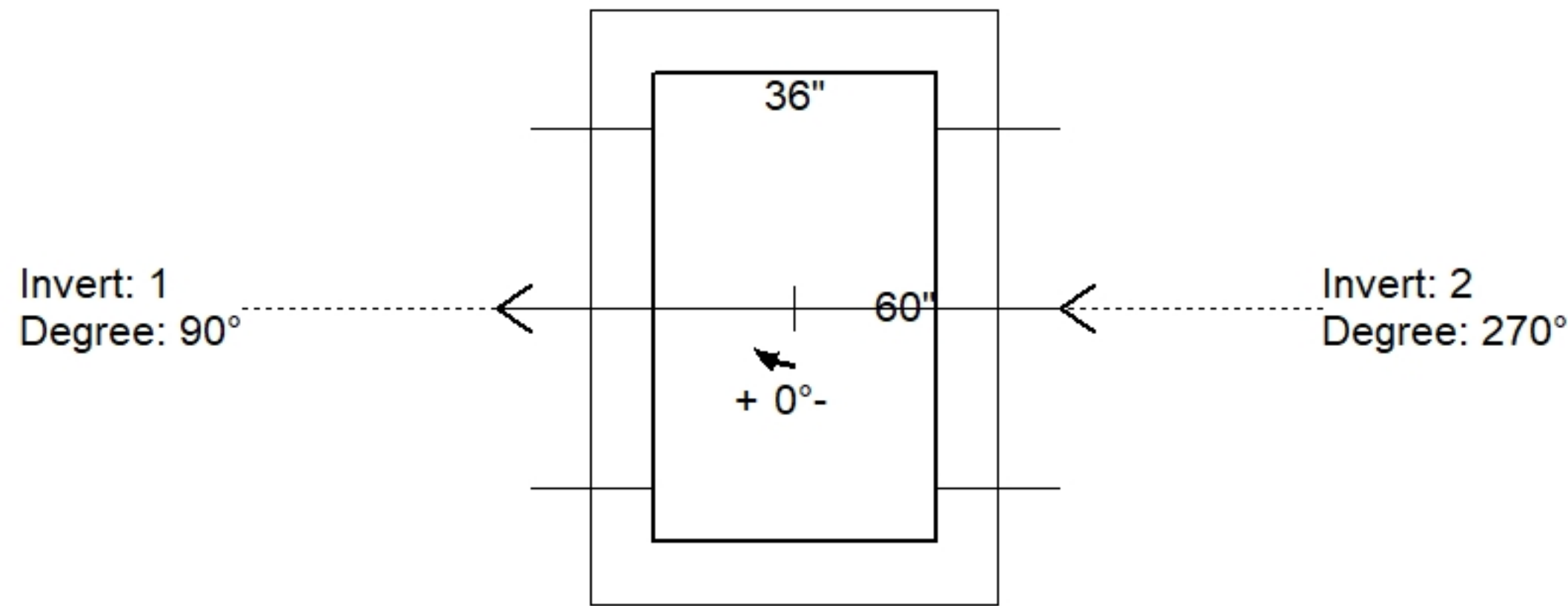
Sump: 0"
 Floor (Top): 0"
 Floor Height: 8"

Floor (Bot): -0.667'
 Overall Height: 5.333'
 Slack: 1"

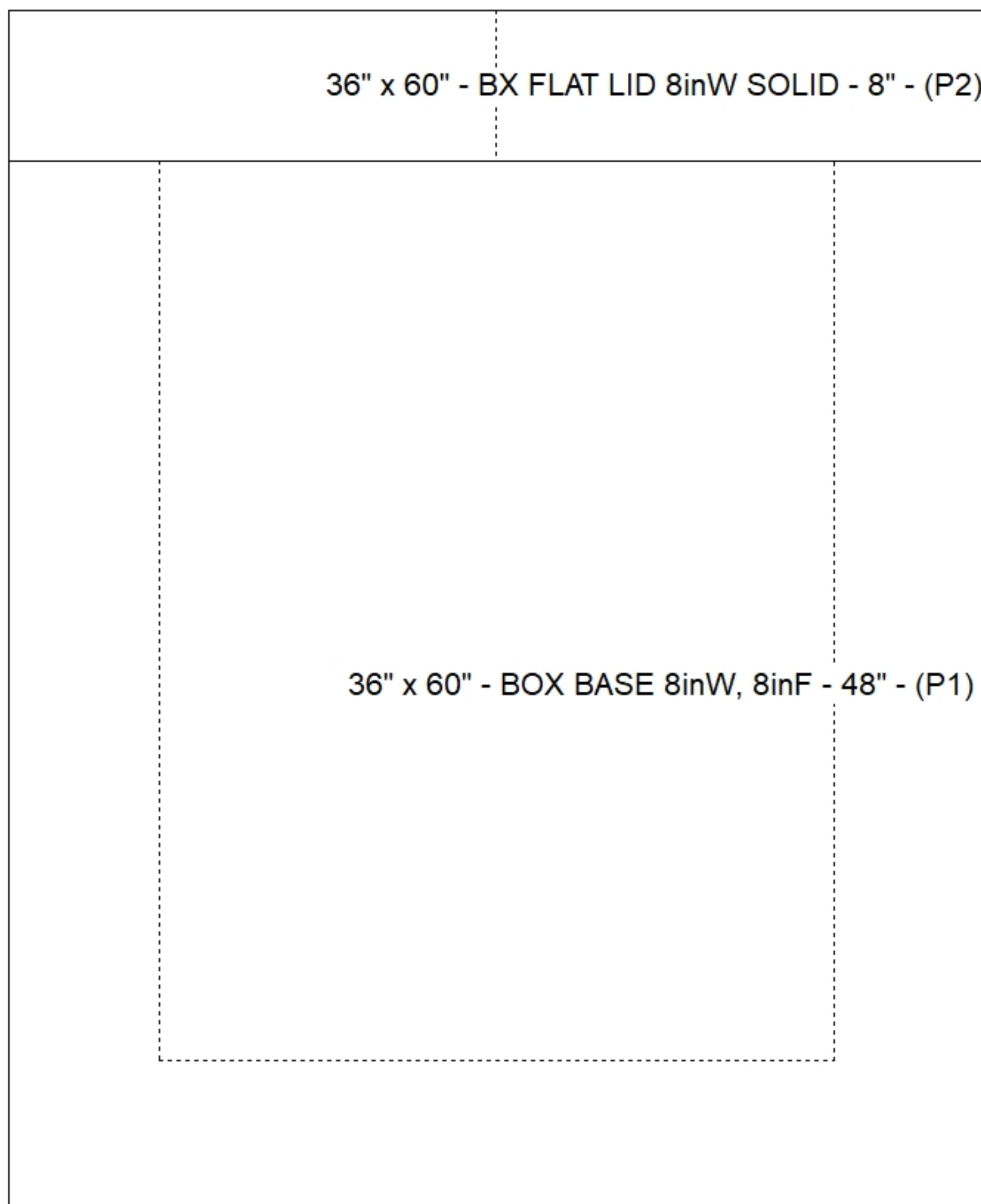
Structure Notes:
 -KYTC STATE PROJECT 251007
 -REINFORCING: #5 BAR @ 12" C/C E.W. (TYP.)
 -CS-102 BUTYL REQUIRED (SUPPLIED BY ICAST).
 -KYTC CERTIFICATIONS REQUIRED.

STRUCTURE SUMMARY:

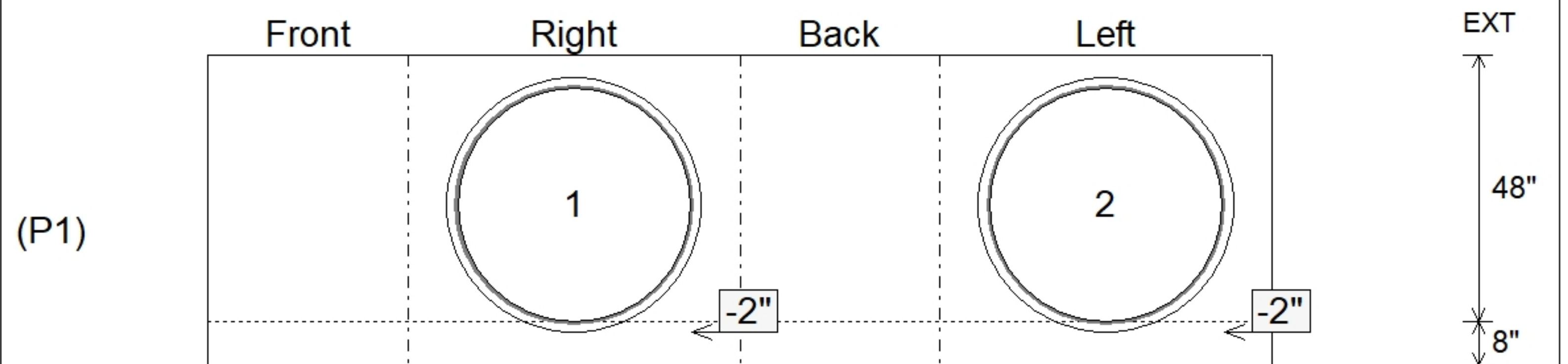
P2) 36" x 60" - BX FLAT LID 8inW SOLID - 8" 2653 lb
 P1) 36" x 60" - BOX BASE 8inW, 8inF - 48" 7639 lb
 1) 36" x 60" - Conseal CS-102 1.00" 0 lb
 2) Hole - 46 0 lb
 Structure Total: 10292 lb



Position	Elev	Angle	Pipe	Pipe OD	Hole	Connector	Up (")	Ref
Rim	4.75'							
Reducer								
Invert 1	0'	90°	42" CMP	43"	46"	Hole 46	-2"	P1
Invert 2	0'	270°	42" CMP	43"	46"	Hole 46	-2"	P1
Invert 3								
Invert 4								
Invert 5								
Invert 6								
Invert 7								
Invert 8								



Default - Interior Dimensions



Submittal Drawing
 1/15/2026 7:55:09 AM

SUBMITTAL
 APPROVED BY: