

Job Name: 25-1684 P3 KYTC Jefferson Co. Call 200 (251007)
 Job Location: I-264 Louisville, Ky.
 Contractor: Cleary Construction, Inc.

Plant: Beaver Dam, Ky.
 1/14/2026 9:49:09 AM

Tech: J. Coppage
 PC: J. Jarvis



Structure ID: 5116+07 JB-A

P1 BX3660-08BA48

BOX BASE 8inW, 8inF

- P2) 36" x 60" - BX FLAT LID 8inW SOLID - 8"
- P1) 36" x 60" - BOX BASE 8inW, 8inF - 48"
- 1) 36" x 60" - Conseal CS-102 1.00"
- 2) Hole - 46"

2653 lb
 7639 lb
 0 lb
 0 lb

 Structure Total: 10292 lb

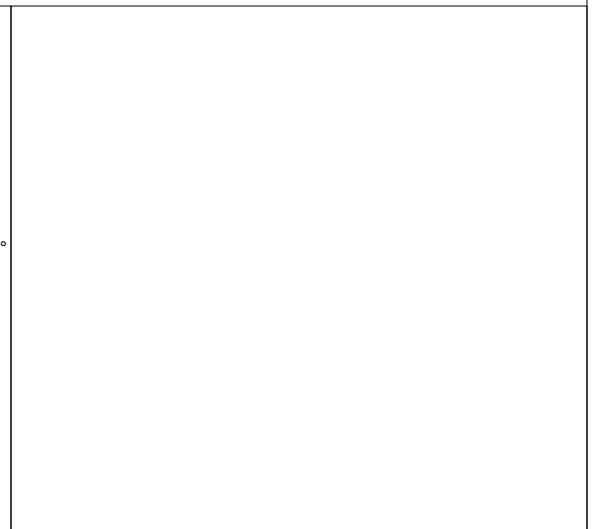
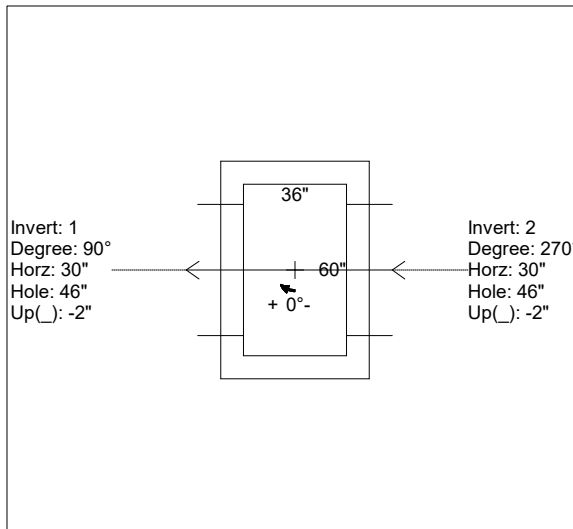
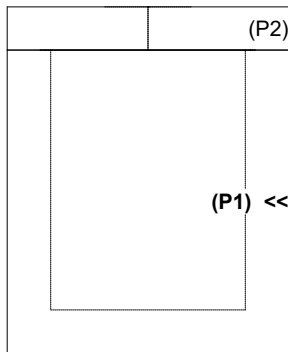
Structure Notes:
 -KYTC STATE PROJECT 251007
 -REINFORCING: #5 BAR @ 12" C/C E.W. (TYP.)
 -CS-102 BUTYL REQUIRED (SUPPLIED BY ICAST).
 -KYTC CERTIFICATIONS REQUIRED.

Rim: 4.75' Rim to Invert: 4.75' Slack: 1" Sump: 0" Step Position:

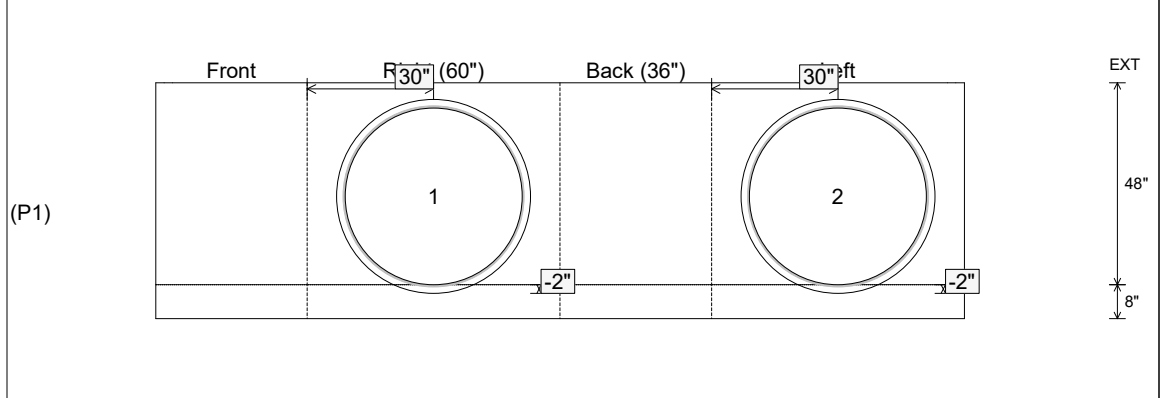
Position	Elev	Angle	Ext. (cw)	Pipe	Pipe OD	Connector	Hole	Horz Size	Up ()	Offset
Invert 1	0'	90°	38"	42" CMP	43"	Hole 46	46"	46"	-2"	0"
Invert 2	0'	270°	38"	42" CMP	43"	Hole 46	46"	46"	-2"	0"
Invert 3										
Invert 4										
Invert 5										
Invert 6										
Invert 7										
Invert 8										

RIGHT-SIDE UP VIEW (int. dimensions)

UPSIDE-DOWN VIEW (int. dimensions)



INSIDE WALL DIMENSIONS



Coating (Int):
 Coating (Ext):

Seam Up: Flat
 Seam Dn: n/a

Wall Thickness: 8"
 Floor Height: 8"

Height (Int): 48"
 Height (Ext): 56"

Weight (Net): 7639 lb
 Volume (Net): 1.95cu.yd