

Job Name: 25-1684 P3 KYTC Jefferson Co. Call 200 (251007)
 Job Location: I-264 Louisville, Ky.
 Contractor: Cleary Construction, Inc.

Plant: Beaver Dam, Ky.
 1/14/2026 9:49:07 AM

Tech: J. Coppage
 PC: J. Jarvis



Structure ID: 5116+07 JB-A - C

P1 BX3648-08BA48

BOX BASE 8inW, 8inF

- P2) 36" x 48" - CB FLAT TOP 8"W SOLID - 8"
- P1) 36" x 48" - BOX BASE 8inW, 8inF - 48"
- 1) 36" x 48" - Conseal CS-102 1.00"
- 2) Hole - 46"

2234 lb
 6447 lb
 0 lb
 0 lb

 Structure Total: 8681 lb

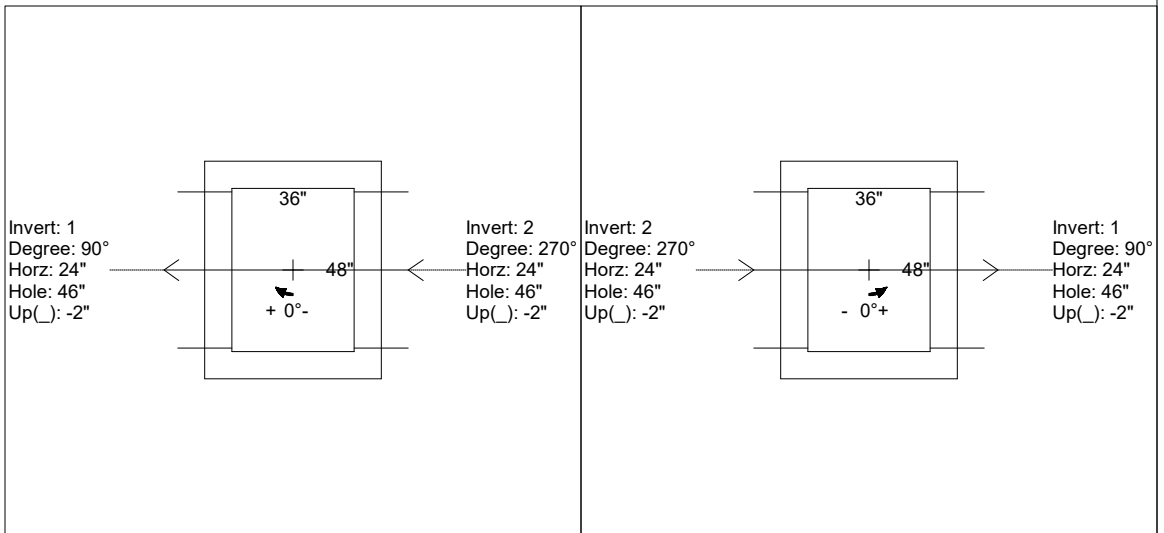
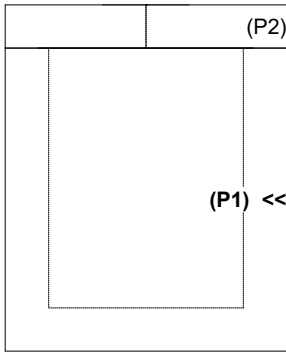
Structure Notes:
 -KYTC STATE PROJECT 251007
 -REINFORCING: #5 BAR @ 12" C/C E.W. (TYP.)
 -CS-102 BUTYL REQUIRED (SUPPLIED BY ICAST).
 -KYTC CERTIFICATIONS REQUIRED.

Rim: 4.75' Rim to Invert: 4.75' Slack: 1" Sump: 0" Step Position:

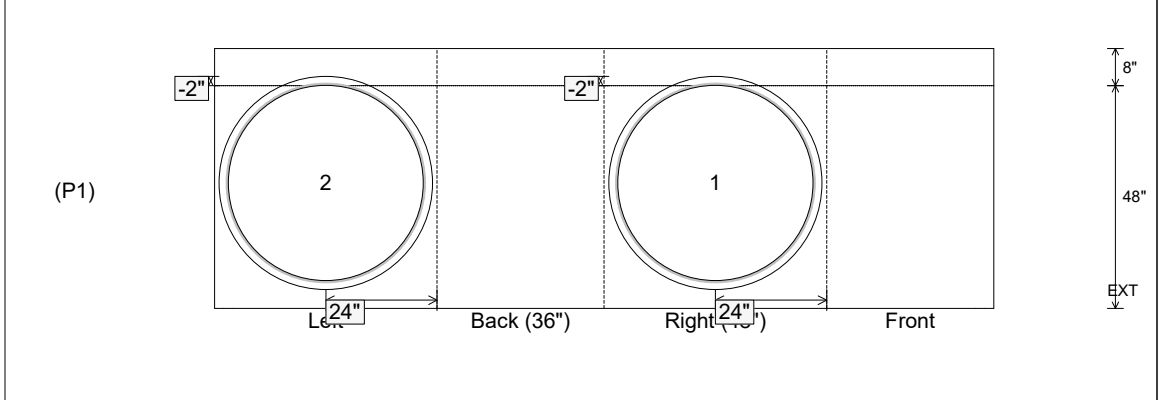
Position	Elev	Angle	Ext. (cw)	Pipe	Pipe OD	Connector	Hole	Horz Size	Up ()	Offset
Invert 1	0'	90°	32"	42" CMP	43"	Hole 46	46"	46"	-2"	0"
Invert 2	0'	270°	32"	42" CMP	43"	Hole 46	46"	46"	-2"	0"
Invert 3										
Invert 4										
Invert 5										
Invert 6										
Invert 7										
Invert 8										

RIGHT-SIDE UP VIEW (int. dimensions)

UPSIDE-DOWN VIEW (int. dimensions)



INSIDE WALL DIMENSIONS



Coating (Int): Coating (Ext):	Seam Up: Flat Seam Dn: n/a	Wall Thickness: 8" Floor Height: 8"	Height (Int): 48" Height (Ext): 56"	Weight (Net): 6447 lb Volume (Net): 1.65cu.yd
----------------------------------	-------------------------------	--	--	--