

**Job Name: 25-1684 P3 KYTC Jefferson Co. Call 200 (251007)**  
**Job Location: I-264 Louisville, Ky.**  
**Contractor: Cleary Construction, Inc.**

PC: J. Jarvis  
 TECH: J. Coppage  
 Plant: Beaver Dam, Ky.



Structure ID: **5116+07 JB-A - B**  
 Spec: KYTC  
 Type: Junction Box  
 Size: 36" x 48"

Rim: 4.75'  
 Invert: 0'  
 Rim to Invert: 4.75'

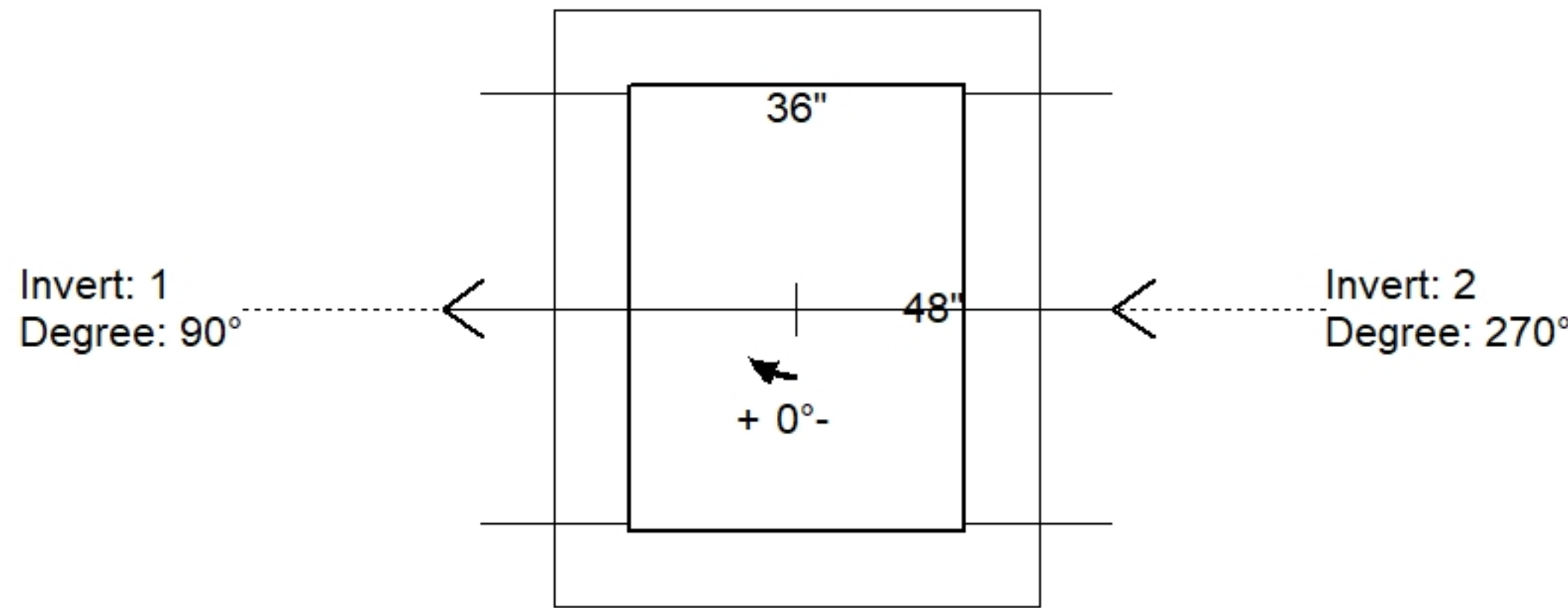
Sump: 0"  
 Floor (Top): 0"  
 Floor Height: 8"

Floor (Bot): -0.667'  
 Overall Height: 5.333'  
 Slack: 1"

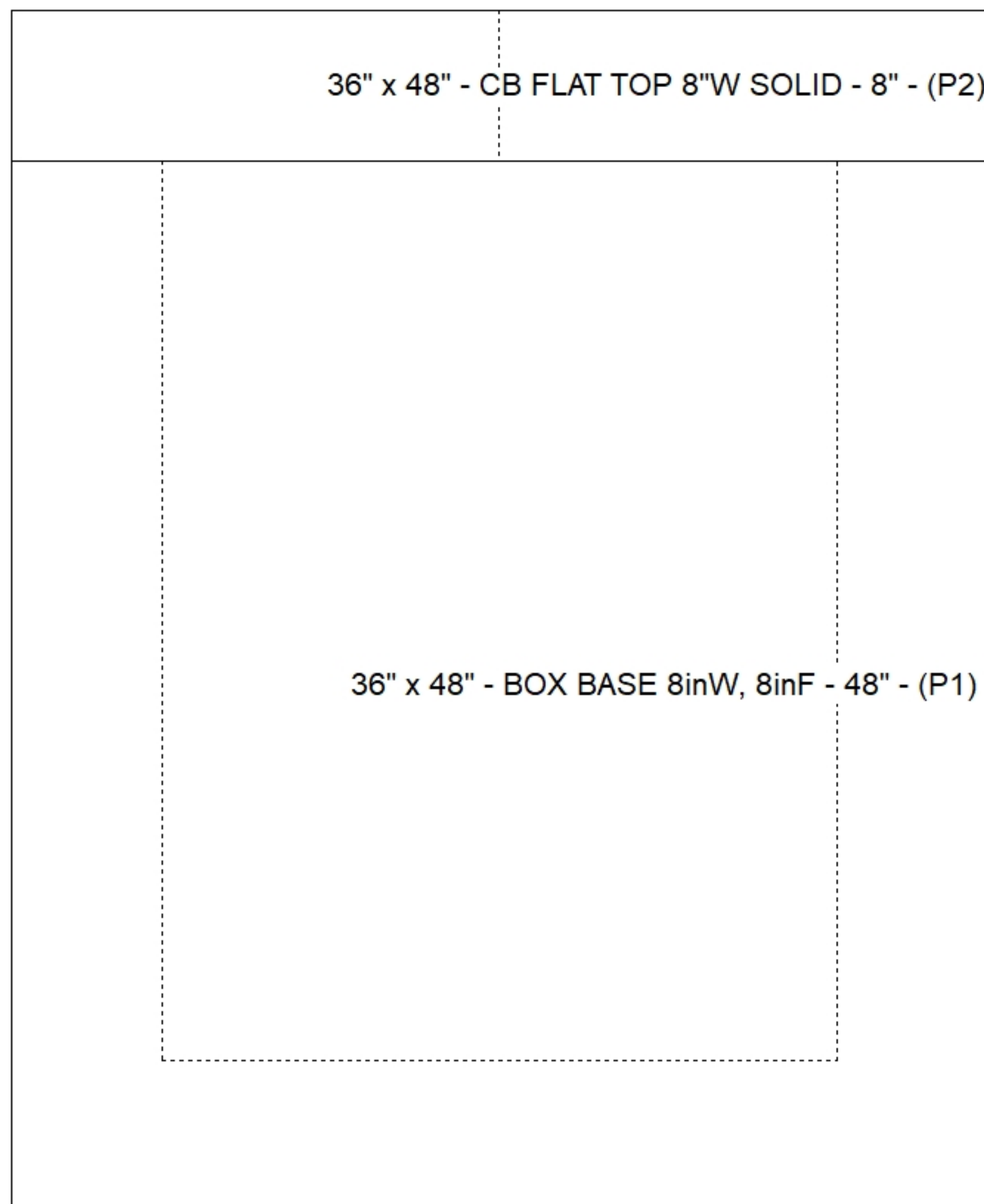
**Structure Notes:**  
 -KYTC STATE PROJECT 251007  
 -REINFORCING: #5 BAR @ 12" C/C E.W. (TYP.)  
 -CS-102 BUTYL REQUIRED (SUPPLIED BY ICAST).  
 -KYTC CERTIFICATIONS REQUIRED.

**STRUCTURE SUMMARY:**

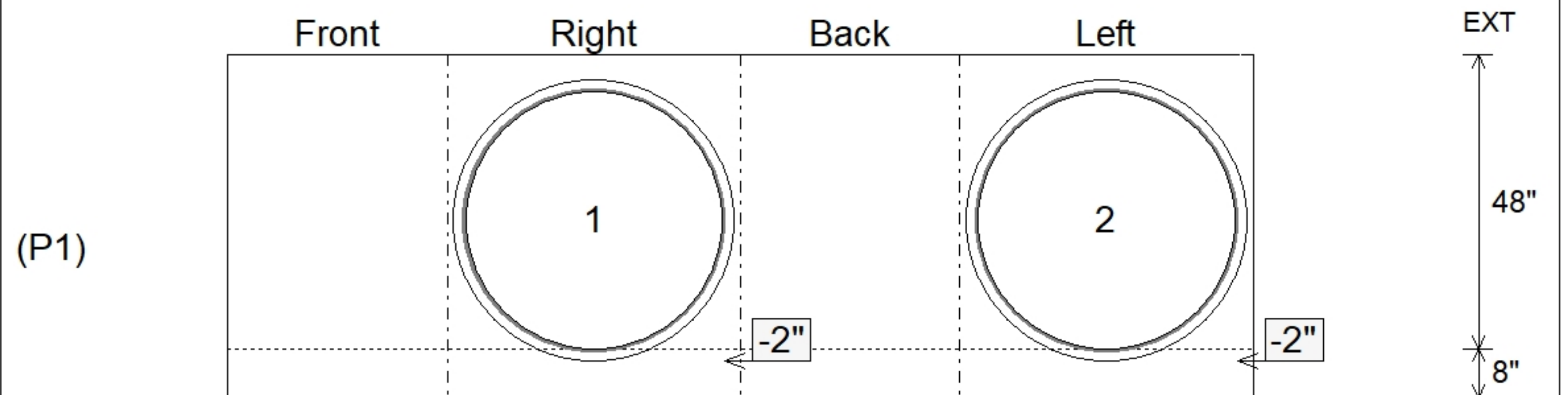
P2) 36" x 48" - CB FLAT TOP 8"W SOLID - 8"	2234 lb
P1) 36" x 48" - BOX BASE 8inW, 8inF - 48"	6447 lb
1) 36" x 48" - Conseal CS-102 1.00"	0 lb
2) Hole - 46	0 lb
<b>Structure Total:</b>	<b>8681 lb</b>



Position	Elev	Angle	Pipe	Pipe OD	Hole	Connector	Up (")	Ref
Rim	4.75'							
Reducer								
Invert 1	0'	90°	42" CMP	43"	46"	Hole 46	-2"	P1
Invert 2	0'	270°	42" CMP	43"	46"	Hole 46	-2"	P1
Invert 3								
Invert 4								
Invert 5								
Invert 6								
Invert 7								
Invert 8								



**Default - Interior Dimensions**



Submittal Drawing  
 1/15/2026 7:55:06 AM

SUBMITTAL  
 APPROVED BY: