

Job Name: 25-1684 KYTC Jefferson Co. Call 200 (251007)
Job Location: I-264 Louisville, Ky.
Contractor: Cleary Construction, Inc.

PC: J. Jarvis
 TECH: N. Richards
 Plant: Beaver Dam, Ky.



Structure ID: 5141+50 RT CBBI-MOD B1

Spec: KYTC
 Type: MBI TYPE 9
 Size: 24" x 36"

Rim: 556.26'
 Invert: 546.26'
 Rim to Invert: 10'

Sump: 0"
 Floor (Top): 546.26'
 Floor Height: 8"

Floor (Bot): 545.593'
 Overall Height: 10.333'
 Slack: 4"

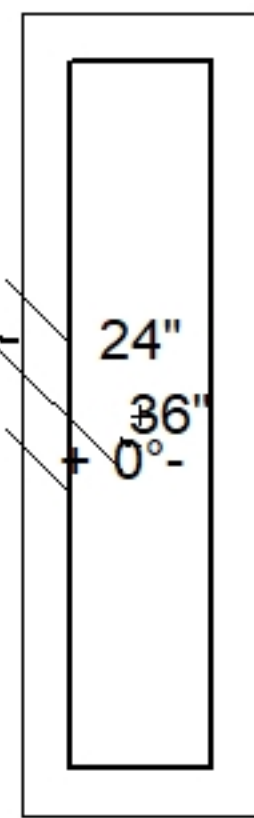
Structure Notes:

- KYTC STATE PROJECT 251007
- REINFORCING: #5 BAR @ 12" C/C E.W. (TYP.)
- CASTING FRAMES & GRATES BY OTHERS.
- CS-102 BUTYL REQUIRED (SUPPLIED BY ICAST).
- KYTC CERTIFICATIONS REQUIRED.

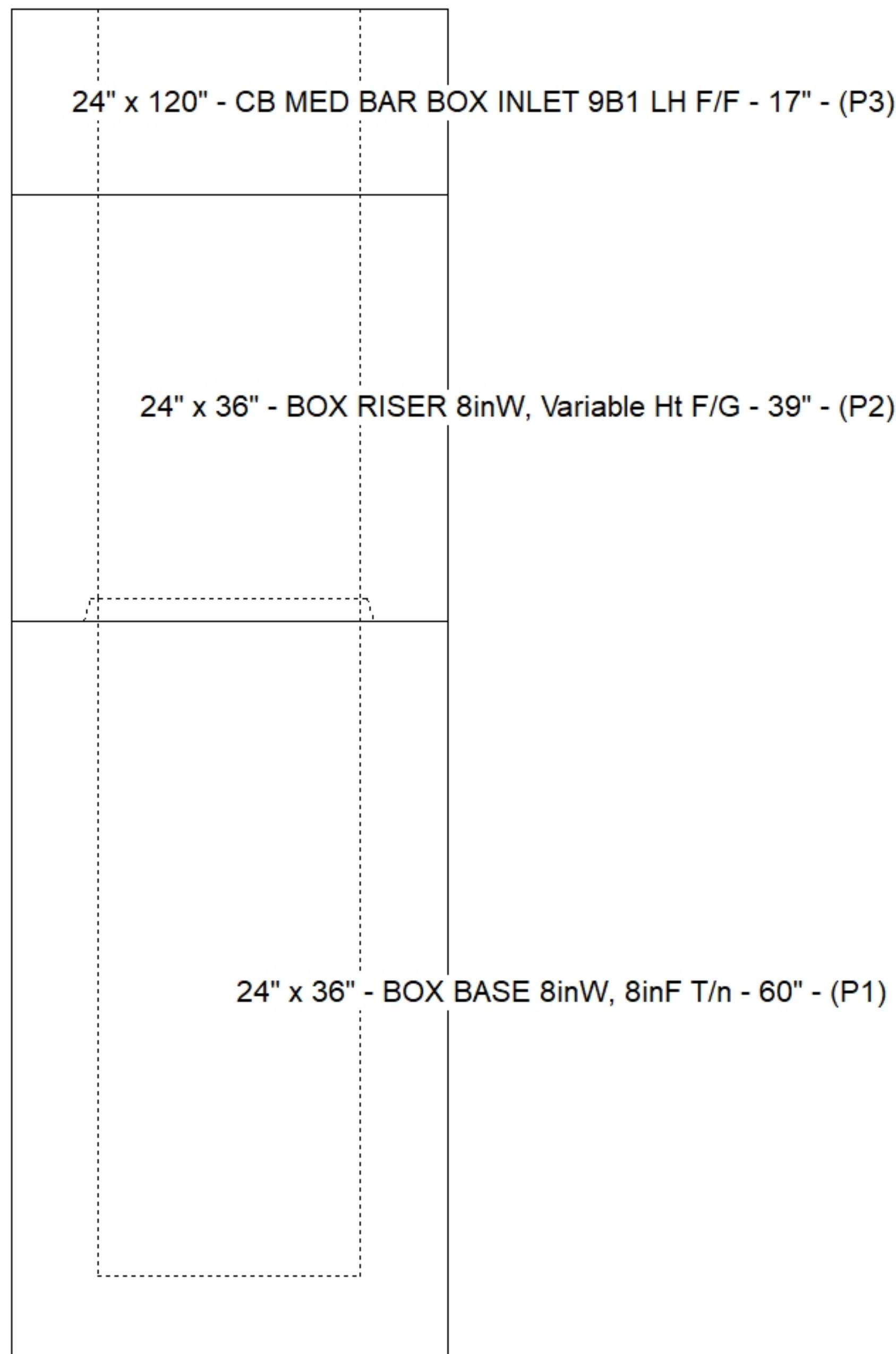
STRUCTURE SUMMARY:

P3) 24" x 120" - CB MED BAR BOX INLET 9B1 LH F/F - 17"	4000 lb
P2) 24" x 36" - BOX RISER 8inW, Variable Ht F/G - 39"	3979 lb
P1) 24" x 36" - BOX BASE 8inW, 8inF T/n - 60"	7277 lb
2) 24" x 36" - Conseal CS-102 1.00"	0 lb
1) Hole - 18	0 lb
Structure Total:	15256 lb

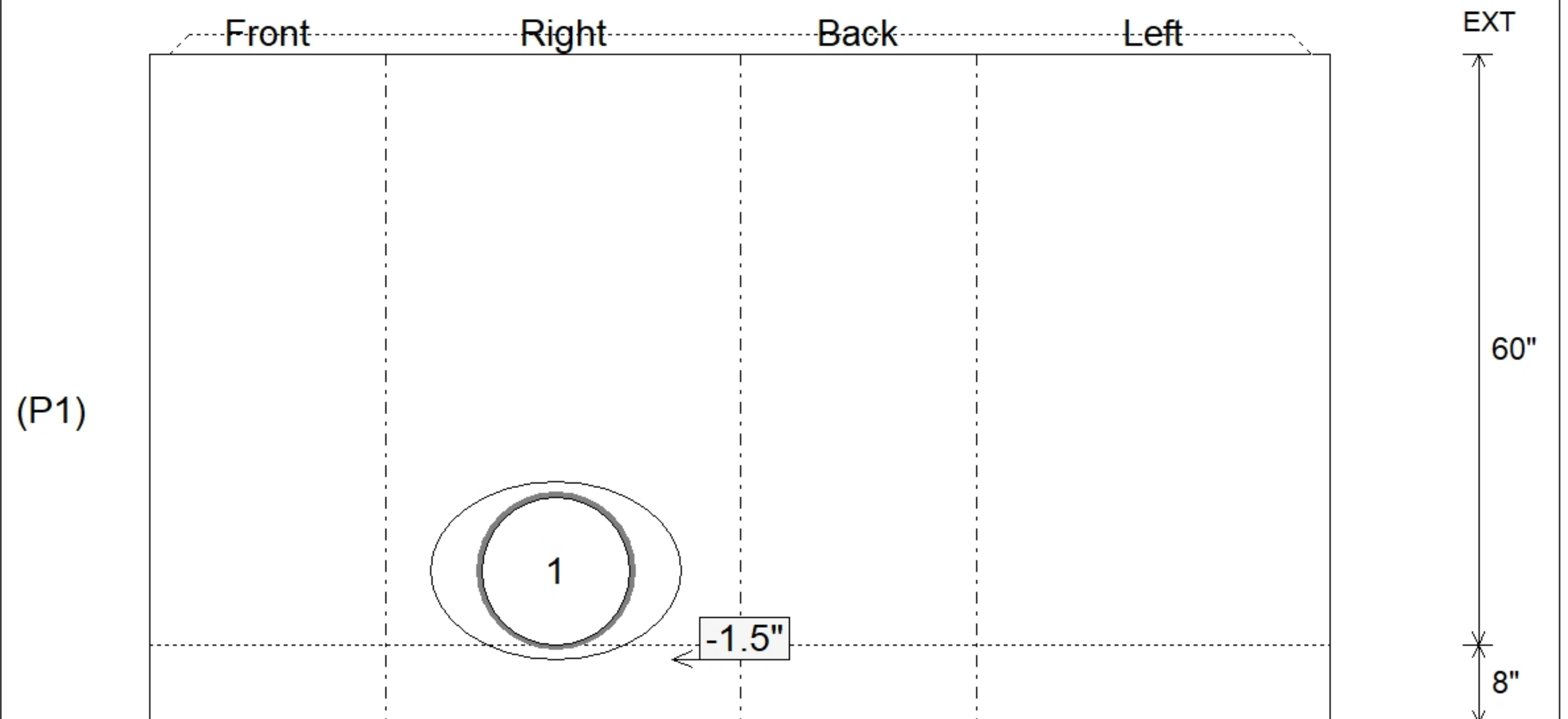
Invert: 1
 Degree: 135°



Position	Elev	Angle	Pipe	Pipe OD	Hole	Connector	Up (L)	Ref
Rim	556.26'							
Reducer								
Invert 1	546.26'	135°	15" CMP	16"	18"	Hole 18	-1.5"	P1
Invert 2								
Invert 3								
Invert 4								
Invert 5								
Invert 6								
Invert 7								
Invert 8								



Cast (Int. Dim.) - Interior Dimensions



Submittal Drawing
 11/24/2025 2:09:02 PM

SUBMITTAL
 APPROVED BY: