

Job Name: 25-1684 KYTC Jefferson Co. Call 200 (251007)

Job Location: I-264 Louisville, Ky.

Contractor: Cleary Construction, Inc.

PC: J. Jarvis

TECH: N. Richards

Plant: Beaver Dam, Ky.



Structure ID: 5138+07 RT CBBI-MOD B1

Spec: KYTC

Type: MBI TYPE 9

Size: 24" x 36"

Rim: 557.79'

Invert: 552.89'

Rim to Invert: 4.9'

Sump: 0"

Floor (Top): 552.89'

Floor Height: 8"

Floor (Bot): 552.223'

Overall Height: 5.25'

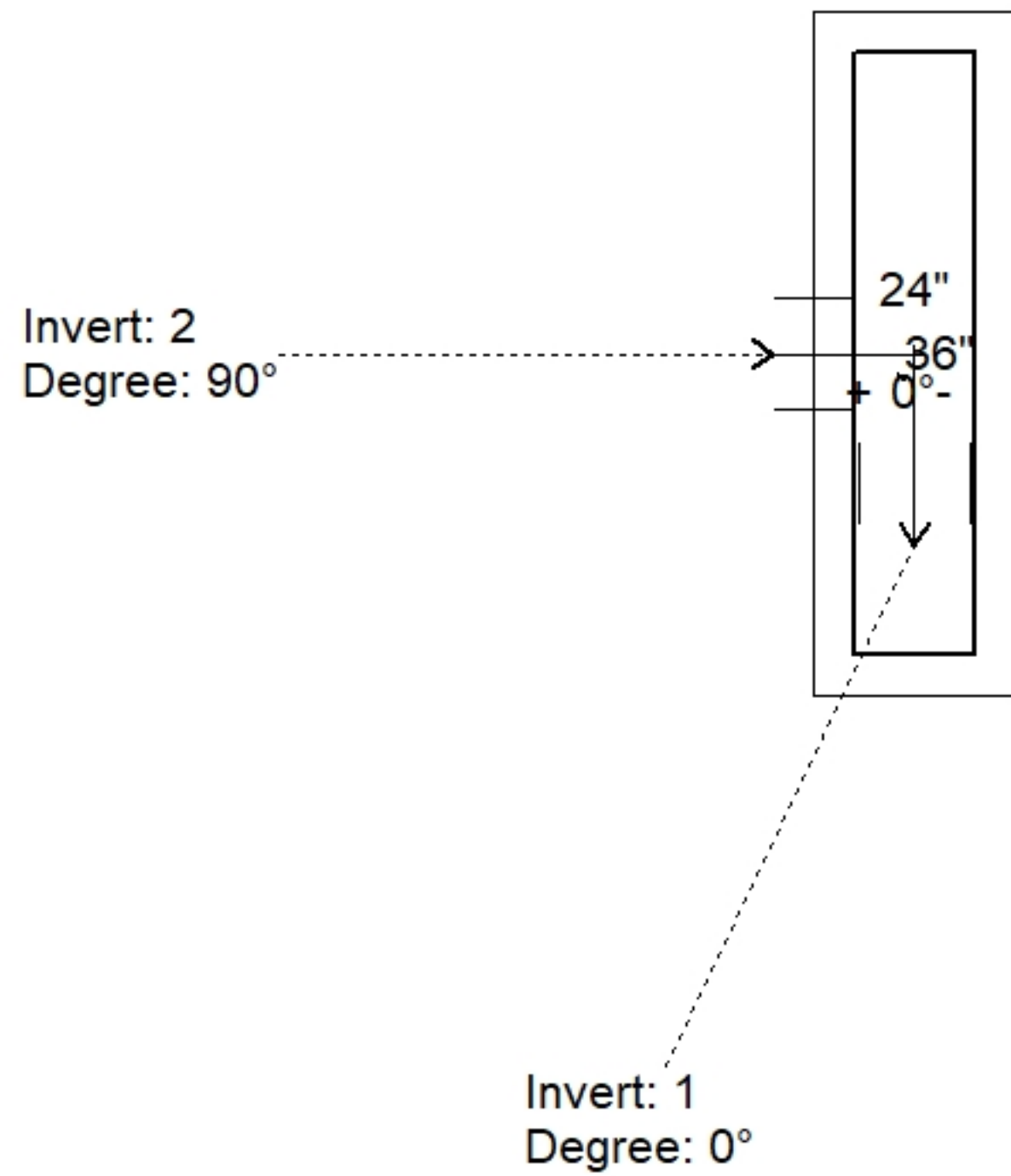
Slack: 3.8"

Structure Notes:

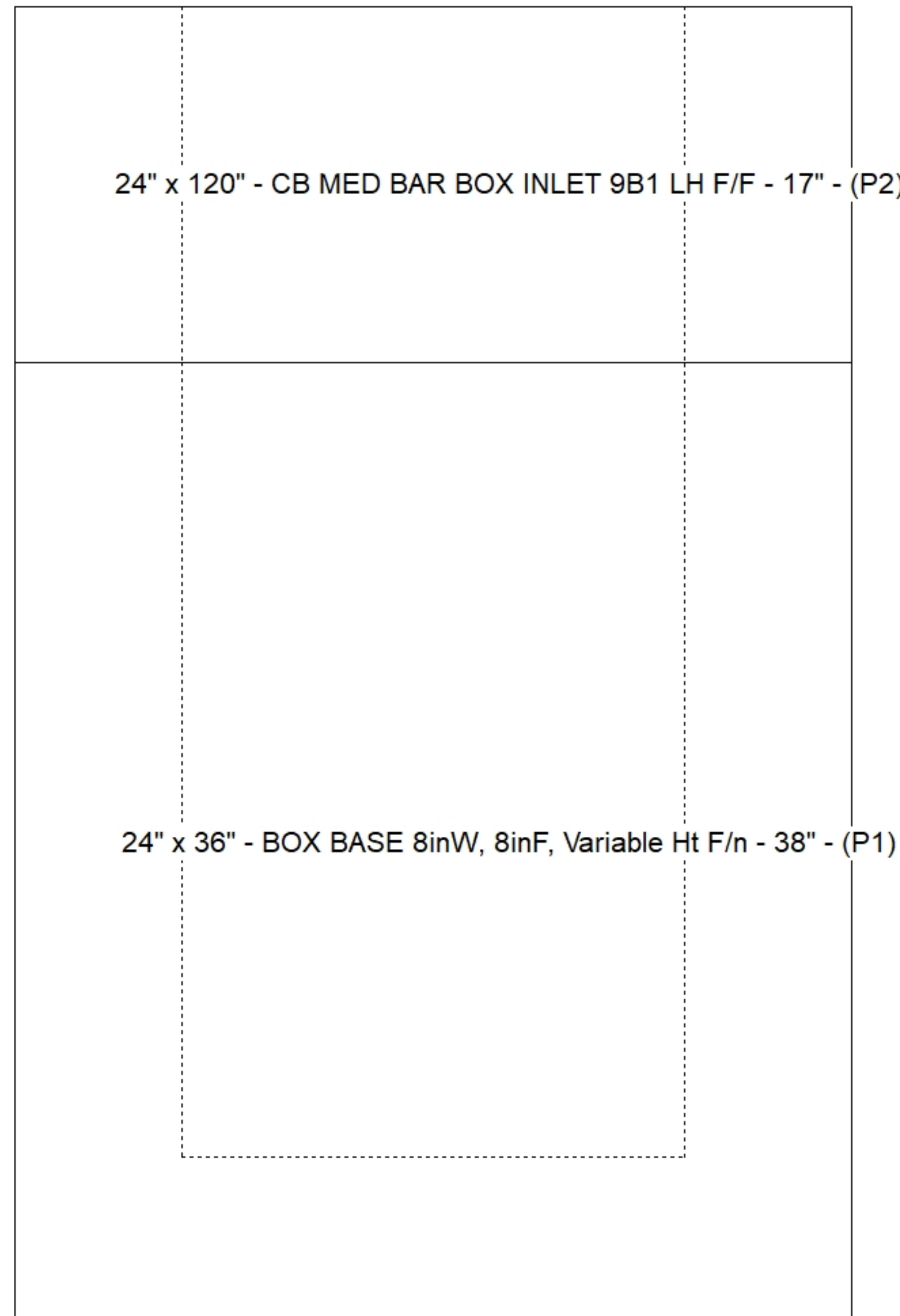
- KYTC STATE PROJECT 251007
- REINFORCING: #5 BAR @ 12" C/C E.W. (TYP.)
- CASTING FRAMES & GRATES BY OTHERS.
- CS-102 BUTYL REQUIRED (SUPPLIED BY ICAST).
- KYTC CERTIFICATIONS REQUIRED.

STRUCTURE SUMMARY:

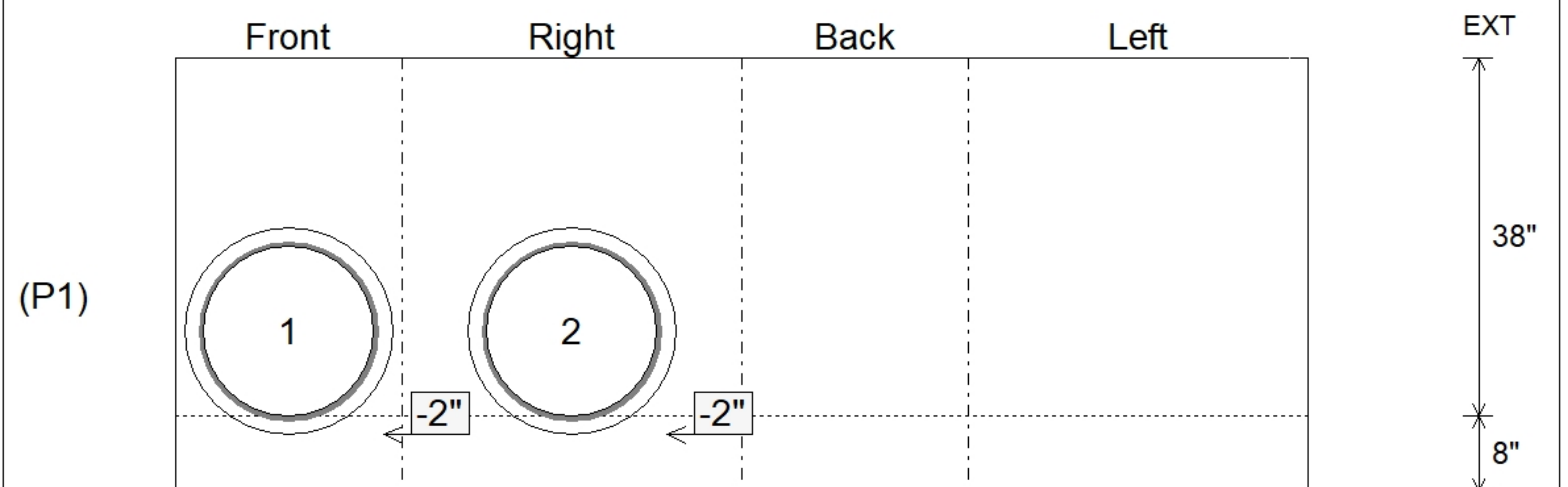
P2) 24" x 120" - CB MED BAR BOX INLET 9B1 LH F/F - 17"	4000 lb
P1) 24" x 36" - BOX BASE 8inW, 8inF, Variable Ht F/n - 38"	4763 lb
1) 24" x 36" - Con Seal CS-102 1.00"	0 lb
2) Hole - 22"	0 lb
Structure Total:	8763 lb



Position	Elev	Angle	Pipe	Pipe OD	Hole	Connector	Up (L)	Ref
Rim	557.79'							
Reducer								
Invert 1	552.89'	0°	18" CMP	19"	22"	Hole 22	-2"	P1
Invert 2	552.89'	90°	18" CMP	19"	22"	Hole 22	-2"	P1
Invert 3								
Invert 4								
Invert 5								
Invert 6								
Invert 7								
Invert 8								



Cast (Int. Dim.) - Interior Dimensions



Submittal Drawing
11/24/2025 2:09:03 PM

SUBMITTAL
APPROVED BY: