

Job Name: 25-1684 KYTC Jefferson Co. Call 200 (251007)

Job Location: I-264 Louisville, Ky.

Contractor: Cleary Construction, Inc.

PC: J. Jarvis

TECH: N. Richards

Plant: Beaver Dam, Ky.



Structure ID: 5102+50 MBI A2

Spec: KYTC

Type: MBI TYPE 9

Size: 24" x 36"

Rim: 588.46'

Invert: 582.06'

Rim to Invert: 6.4'

Sump: 0"

Floor (Top): 582.06'

Floor Height: 8"

Floor (Bot): 581.393'

Overall Height: 6.75'

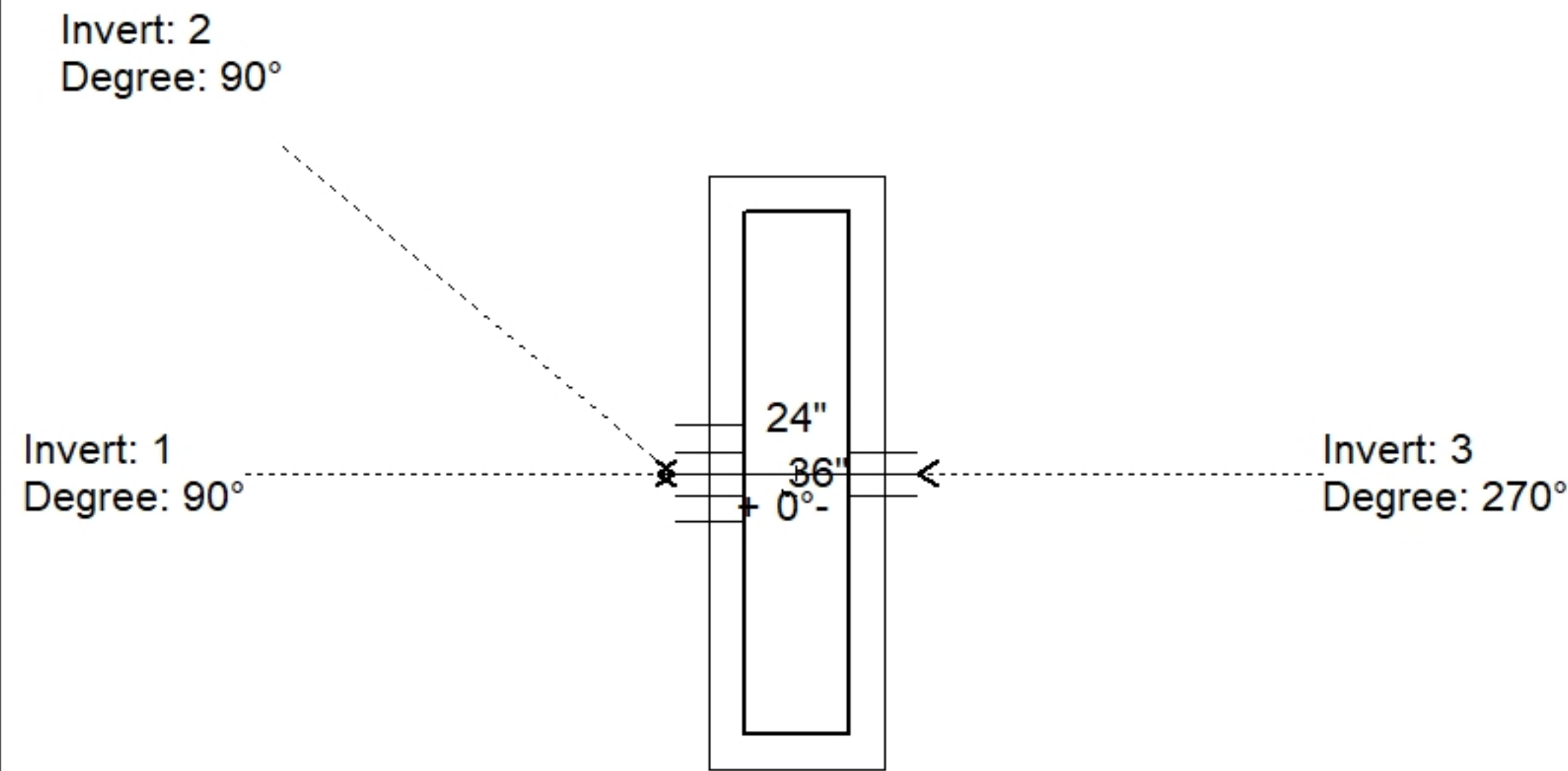
Slack: 3.8"

Structure Notes:

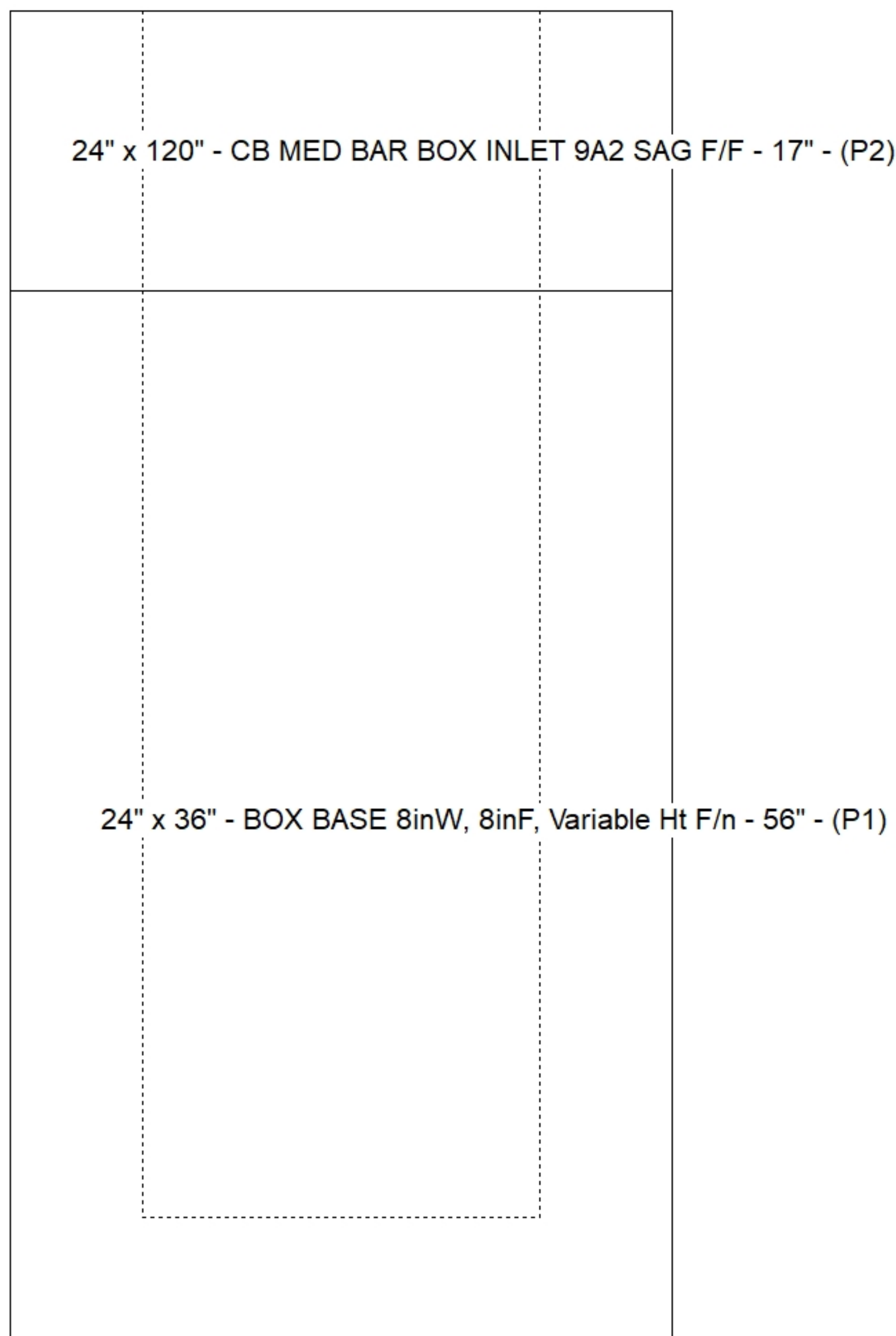
- KYTC STATE PROJECT 251007
- REINFORCING: #5 BAR @ 12" C/C E.W. (TYP.)
- CASTING FRAMES & GRATES BY OTHERS.
- CS-102 BUTYL REQUIRED (SUPPLIED BY ICAST).
- KYTC CERTIFICATIONS REQUIRED.

STRUCTURE SUMMARY:

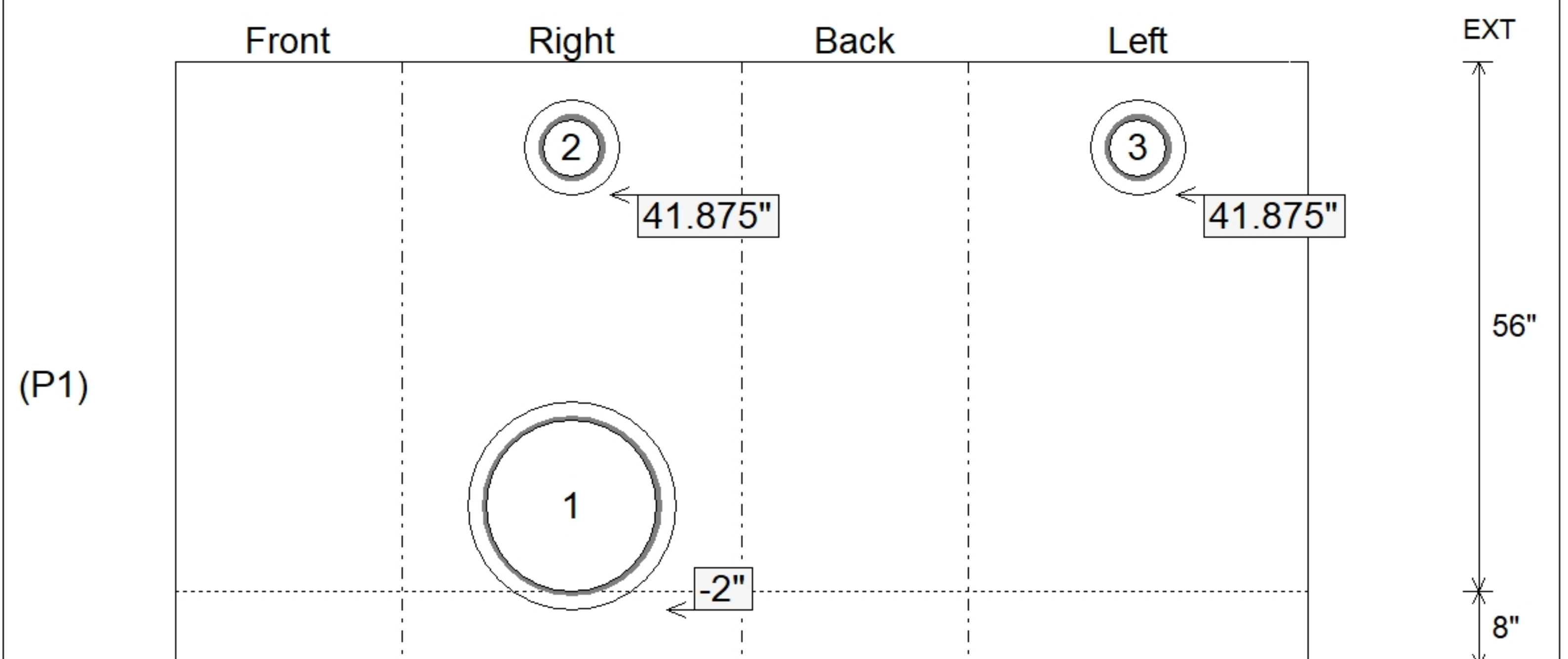
P2) 24" x 120" - CB MED BAR BOX INLET 9A2 SAG F/F - 17"	4000 lb
P1) 24" x 36" - BOX BASE 8inW, 8inF, Variable Ht F/n - 56"	6750 lb
1) 24" x 36" - Con Seal CS-102 1.00"	0 lb
1) Hole - 22	0 lb
2) Hole - 10	0 lb
Structure Total:	10750 lb



Position	Elev	Angle	Pipe	Pipe OD	Hole	Connector	Up (")	Ref
Rim	588.46'							
Reducer								
Invert 1	582.06'	90°	18" CMP	19"	22"	Hole 22	-2"	P1
Invert 2	585.72'	90°	6" HDPE	6.9"	10"	Hole 10	41.875"	P1
Invert 3	585.72'	270°	6" HDPE	6.9"	10"	Hole 10	41.875"	P1
Invert 4								
Invert 5								
Invert 6								
Invert 7								
Invert 8								



Cast (Int. Dim.) - Interior Dimensions



Submittal Drawing
11/24/2025 2:08:55 PM

SUBMITTAL
APPROVED BY: