

Job Name: 25-1684 KYTC Jefferson Co. Call 200 (251007)
 Job Location: I-264 Louisville, Ky.
 Contractor: Cleary Construction, Inc.

Plant: Beaver Dam, Ky.
 11/24/2025 5:35:20 PM

Tech: N. Richards
 PC: J. Jarvis



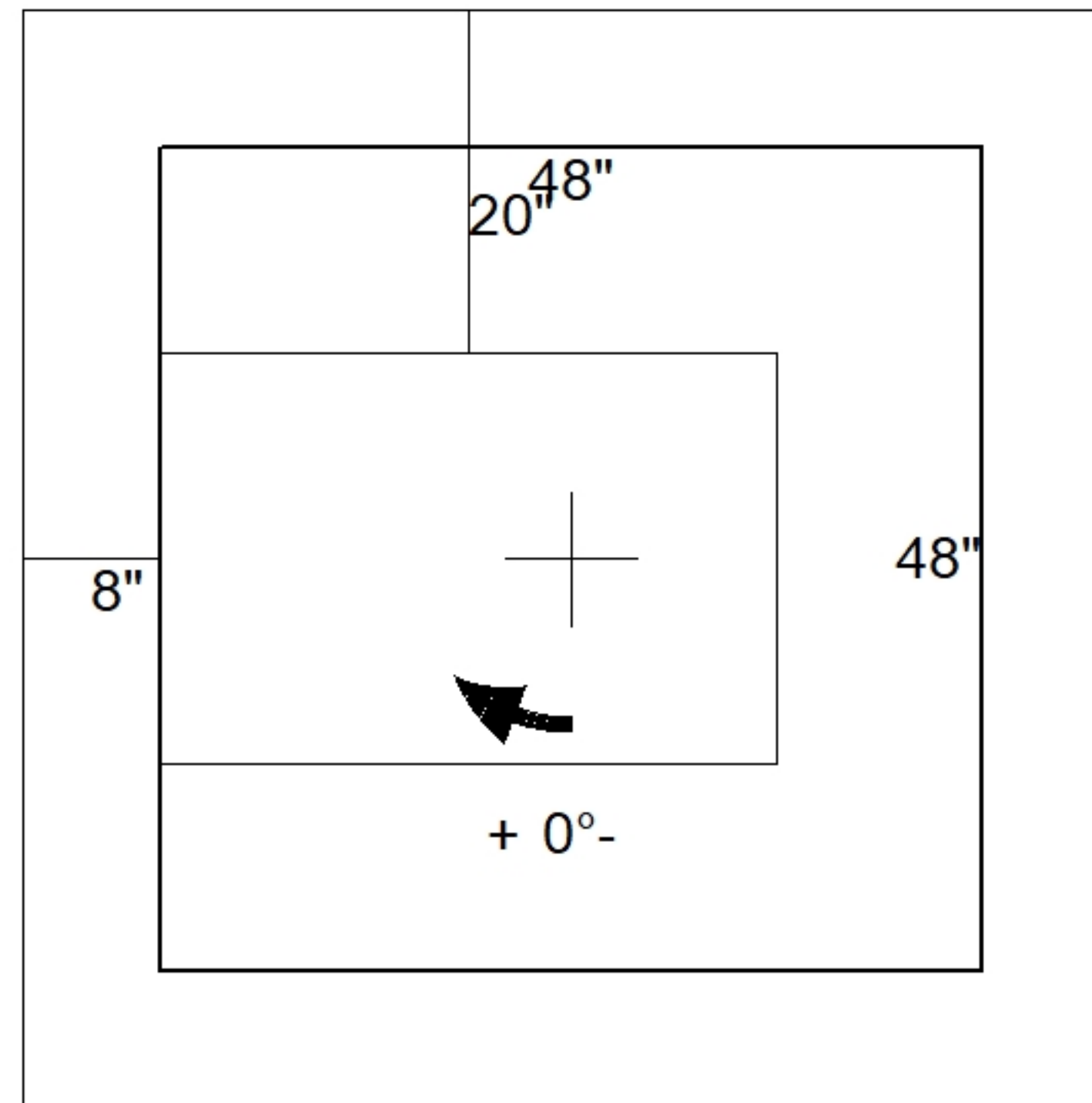
Structure ID: 5097+50 MBI B2

P2 BX048048-08TS024036

CB FT REDUCER 24"X36" HOLE-FT F/F

P3) 24" x 120" - CB MED BAR BOX INLET 9B2 RH F/F - 17"	4000 lb
P2) 48" x 48" - CB FT REDUCER 24"X36" HOLE-FT F/F - 8"	2170 lb
P1) 48" x 48" - BOX BASE 8inW, 8inF, Variable Ht F/n - 39"	6779 lb
1) 48" x 48" - Conseal CS-102 1.00"	0 lb
1) 24" x 36" - Conseal CS-102 1.00"	0 lb
2) Hole - 34	0 lb
2) Hole - 22	0 lb
2) Hole - 10	0 lb
Structure Total:	12949 lb

Structure Notes:
 -KYTC STATE PROJECT 251007
 -REINFORCING: #5 BAR @ 12" C/C E.W. (TYP.)
 -CASTING FRAMES & GRATES BY OTHERS.
 -CS-102 BUTYL REQUIRED (SUPPLIED BY ICAST).
 -KYTC CERTIFICATIONS REQUIRED.



48" x 48" - CB FT REDUCER 24"X36" HOLE-FT F/F - 8" - (P2)

Coating (Int): Coating (Ext):	Seam Up: Flat Seam Dn: Flat	Wall Thickness: 8"	Height (Ext): 8"	Weight (Net): 2170 lb Volume (Net): 0.55cu.yd
----------------------------------	--------------------------------	--------------------	------------------	--