

Job Name: 25-1684 KYTC Jefferson Co. Call 200 (251007)

Job Location: I-264 Louisville, Ky.

Contractor: Cleary Construction, Inc.

PC: J. Jarvis

TECH: N. Richards

Plant: Beaver Dam, Ky.



Structure ID: 5093+27 MBI B2

Spec: KYTC

Type: MBI TYPE 9

Size: 24" x 36"

Rim: 585.41'

Invert: 581.51'

Rim to Invert: 3.9'

Sump: 0"

Floor (Top): 581.51'

Floor Height: 8"

Floor (Bot): 580.843'

Overall Height: 4.25'

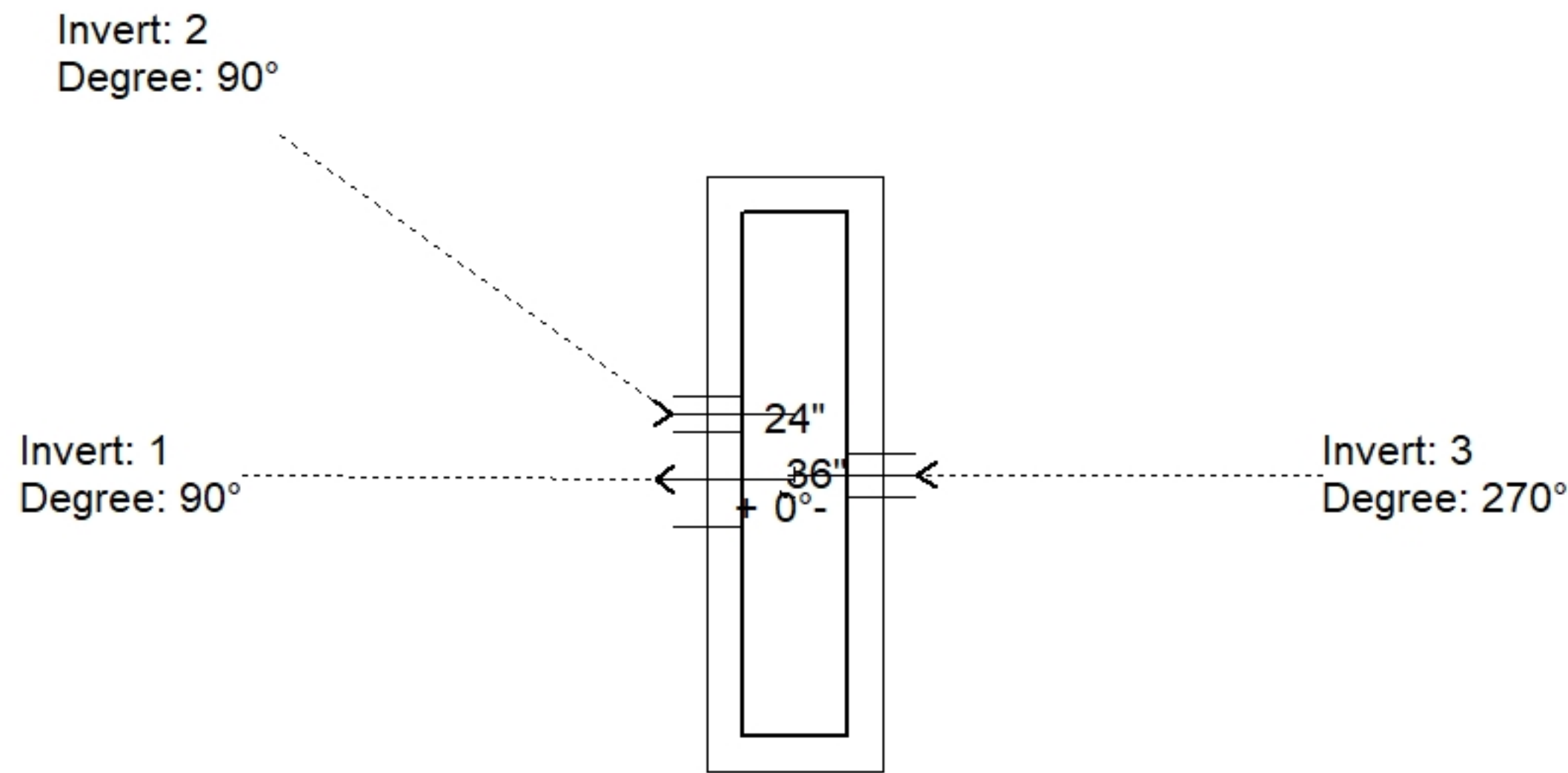
Slack: 3.8"

Structure Notes:

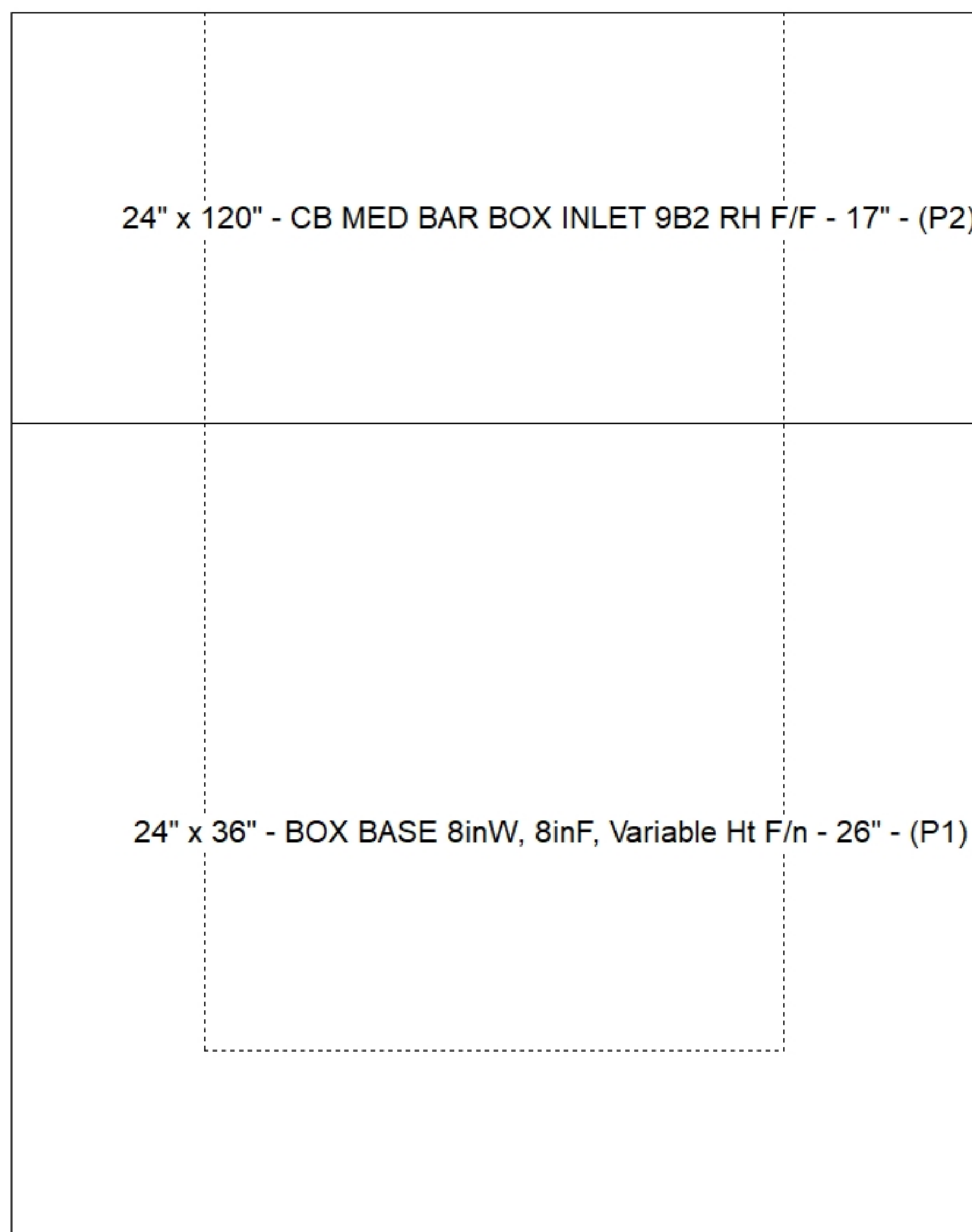
- KYTC STATE PROJECT 251007
- REINFORCING: #5 BAR @ 12" C/C E.W. (TYP.)
- CASTING FRAMES & GRATES BY OTHERS.
- CS-102 BUTYL REQUIRED (SUPPLIED BY ICAST).
- KYTC CERTIFICATIONS REQUIRED.

STRUCTURE SUMMARY:

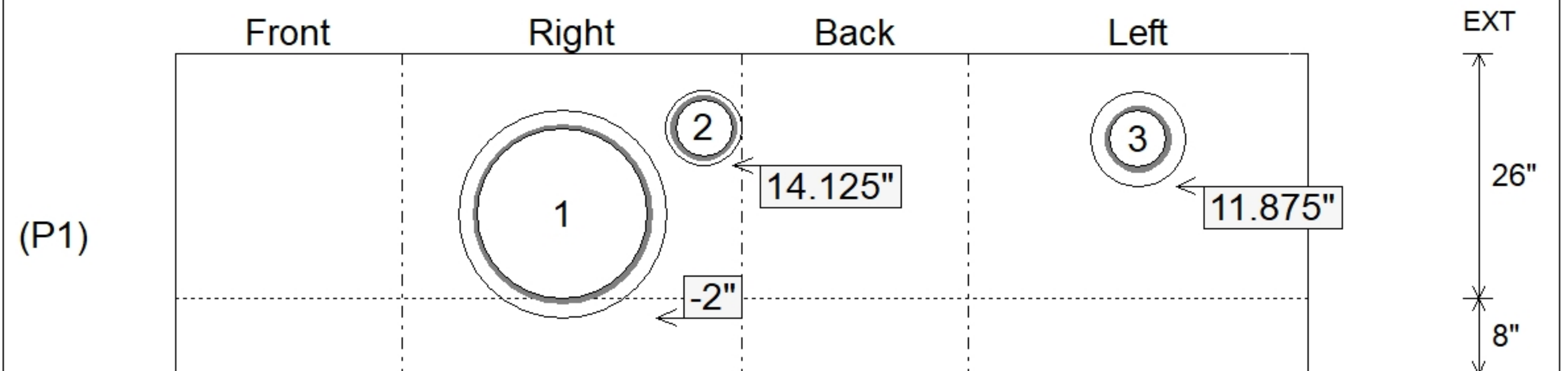
| | |
|--|----------------|
| P2) 24" x 120" - CB MED BAR BOX INLET 9B2 RH F/F - 17" | 4000 lb |
| P1) 24" x 36" - BOX BASE 8inW, 8inF, Variable Ht F/n - 26" | 3716 lb |
| 1) 24" x 36" - Con Seal CS-102 1.00" | 0 lb |
| 1) Hole - 22 | 0 lb |
| 1) Hole - 8 | 0 lb |
| 1) Hole - 10 | 0 lb |
| Structure Total: | 7716 lb |



| Position | Elev | Angle | Pipe | Pipe OD | Hole | Connector | Up (") | Ref |
|----------|---------|-------|---------|---------|------|-----------|---------|-----|
| Rim | 585.41' | | | | | | | |
| Reducer | | | | | | | | |
| Invert 1 | 581.51' | 90° | 18" CMP | 19" | 22" | Hole 22 | -2" | P1 |
| Invert 2 | 582.77' | 90° | 6" HDPE | 6.9" | 8" | Hole 8 | 14.125" | P1 |
| Invert 3 | 582.67' | 270° | 6" HDPE | 6.9" | 10" | Hole 10 | 11.875" | P1 |
| Invert 4 | | | | | | | | |
| Invert 5 | | | | | | | | |
| Invert 6 | | | | | | | | |
| Invert 7 | | | | | | | | |
| Invert 8 | | | | | | | | |



Cast (Int. Dim.) - Interior Dimensions



Submittal Drawing
11/24/2025 2:08:58 PM

SUBMITTAL
APPROVED BY: