

**Job Name: 25-1684 KYTC Jefferson Co. Call 200 (251007)**

**Job Location: I-264 Louisville, Ky.**

**Contractor: Cleary Construction, Inc.**

PC: J. Jarvis

TECH: N. Richards

Plant: Beaver Dam, Ky.



Structure ID: 5090+98 MBI B2

Spec: KYTC

Type: MBI TYPE 9

Size: 36" x 36"

Rim: 584.54'

Invert: 578.64'

Rim to Invert: 5.9'

Sump: 1.001"

Floor (Top): 578.557'

Floor Height: 8"

Floor (Bot): 577.89'

Overall Height: 6.25'

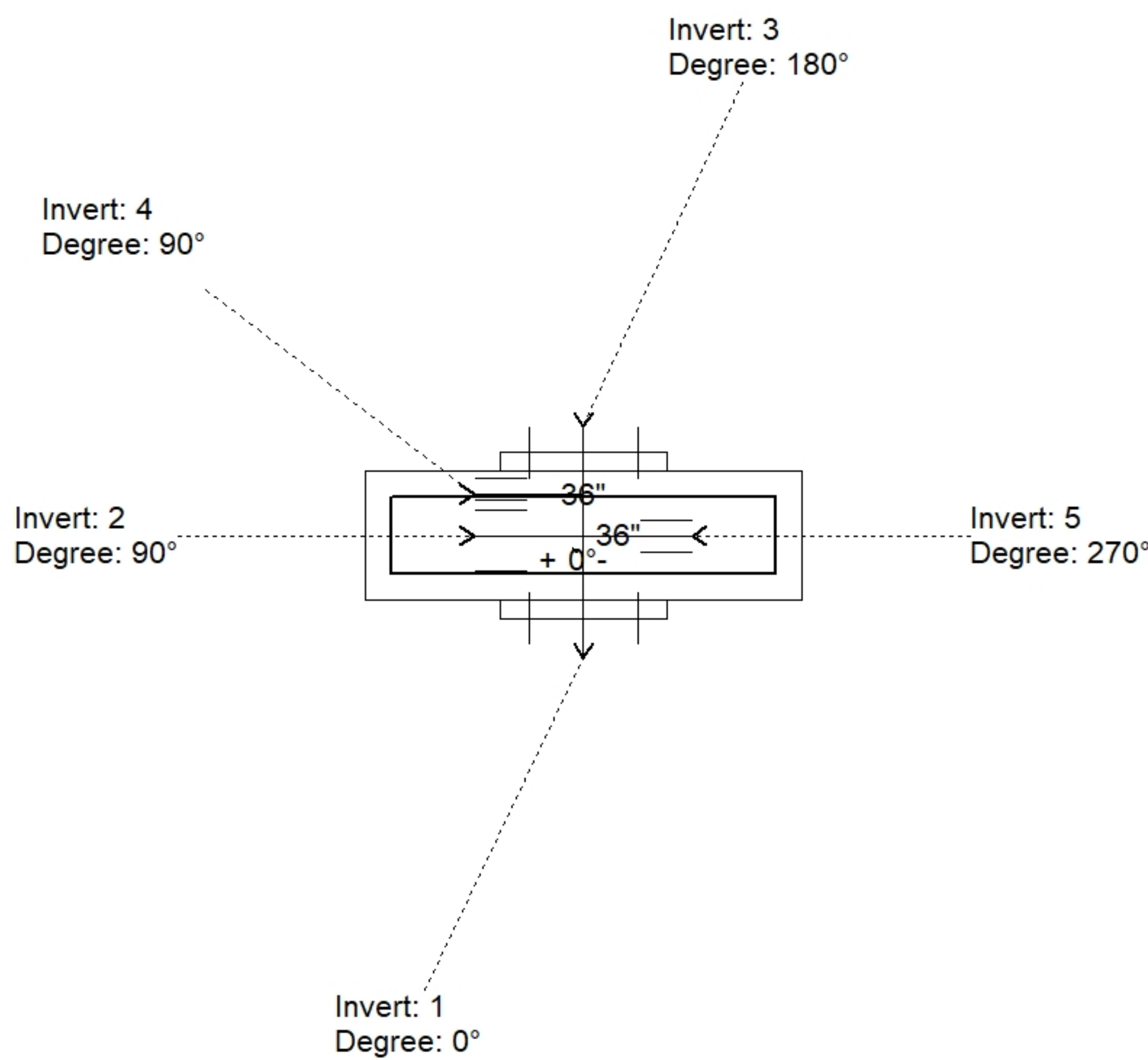
Slack: 4.801"

**Structure Notes:**

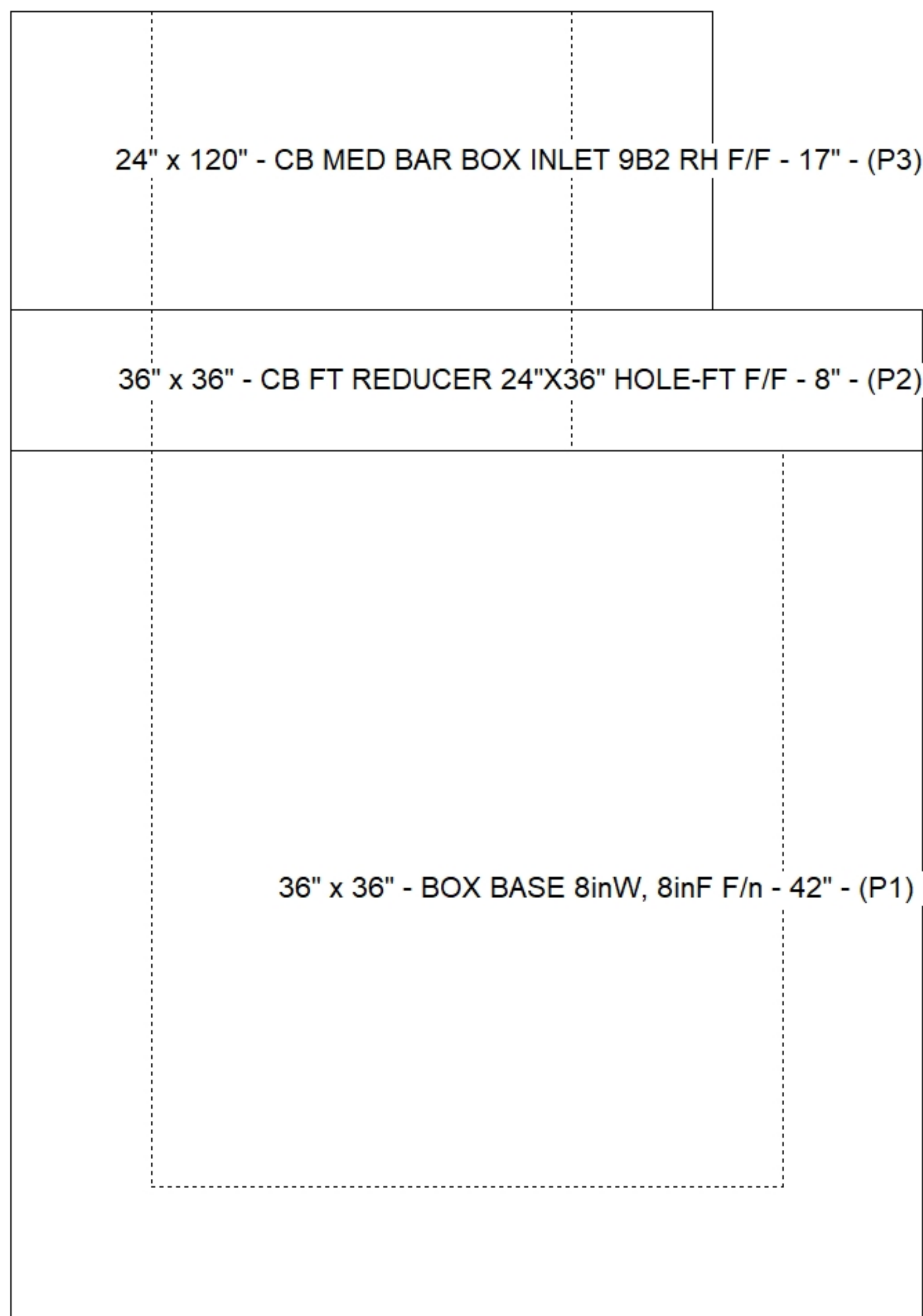
- KYTC STATE PROJECT 251007
- REINFORCING: #5 BAR @ 12" C/C E.W. (TYP.)
- CASTING FRAMES & GRATES BY OTHERS.
- CS-102 BUTYL REQUIRED (SUPPLIED BY ICAST).
- KYTC CERTIFICATIONS REQUIRED.

**STRUCTURE SUMMARY:**

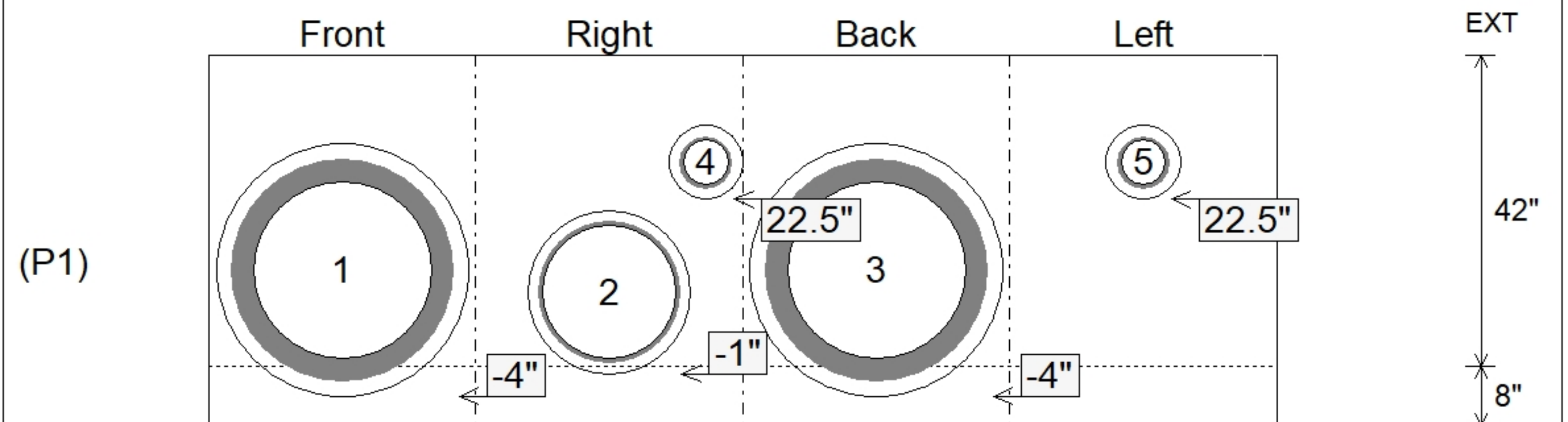
P3) 24" x 120" - CB MED BAR BOX INLET 9B2 RH F/F - 17"	4000 lb
P2) 36" x 36" - CB FT REDUCER 24"X36" HOLE-FT F/F - 8"	1235 lb
P1) 36" x 36" - BOX BASE 8inW, 8inF F/n - 42"	5211 lb
1) 36" x 36" - Conseal CS-102 1.00"	0 lb
1) 24" x 36" - Conseal CS-102 1.00"	0 lb
2) Hole - 34	0 lb
1) Hole - 22	0 lb
2) Hole - 10	0 lb
<b>Structure Total:</b>	<b>10446 lb</b>



Position	Elev	Angle	Pipe	Pipe OD	Hole	Connector	Up (")	Ref
Rim	584.54'							
Reducer	582.057'							
Invert 1	578.64'	0°	24" RCP B WALL	30"	34"	Hole 34	-4"	P1
Invert 2	578.64'	90°	18" CMP	19"	22"	Hole 22	-1"	P1
Invert 3	578.64'	180°	24" RCP B WALL	30"	34"	Hole 34	-4"	P1
Invert 4	580.6'	90°	6" HDPE	6.9"	10"	Hole 10	22.5"	P1
Invert 5	580.6'	270°	6" HDPE	6.9"	10"	Hole 10	22.5"	P1
Invert 6								
Invert 7								
Invert 8								



**Cast (Int. Dim.) - Interior Dimensions**



Submittal Drawing  
11/24/2025 2:08:59 PM

SUBMITTAL  
APPROVED BY: