

Job Name: 25-1684 KYTC Jefferson Co. Call 200 (251007)
 Job Location: I-264 Louisville, Ky.
 Contractor: Cleary Construction, Inc.

Plant: Beaver Dam, Ky.
 11/24/2025 5:35:22 PM

Tech: N. Richards
 PC: J. Jarvis



Structure ID: 5090+98 MBI B2

P2 BX036036-08TS024036

CB FT REDUCER 24"X36" HOLE-FT F/F

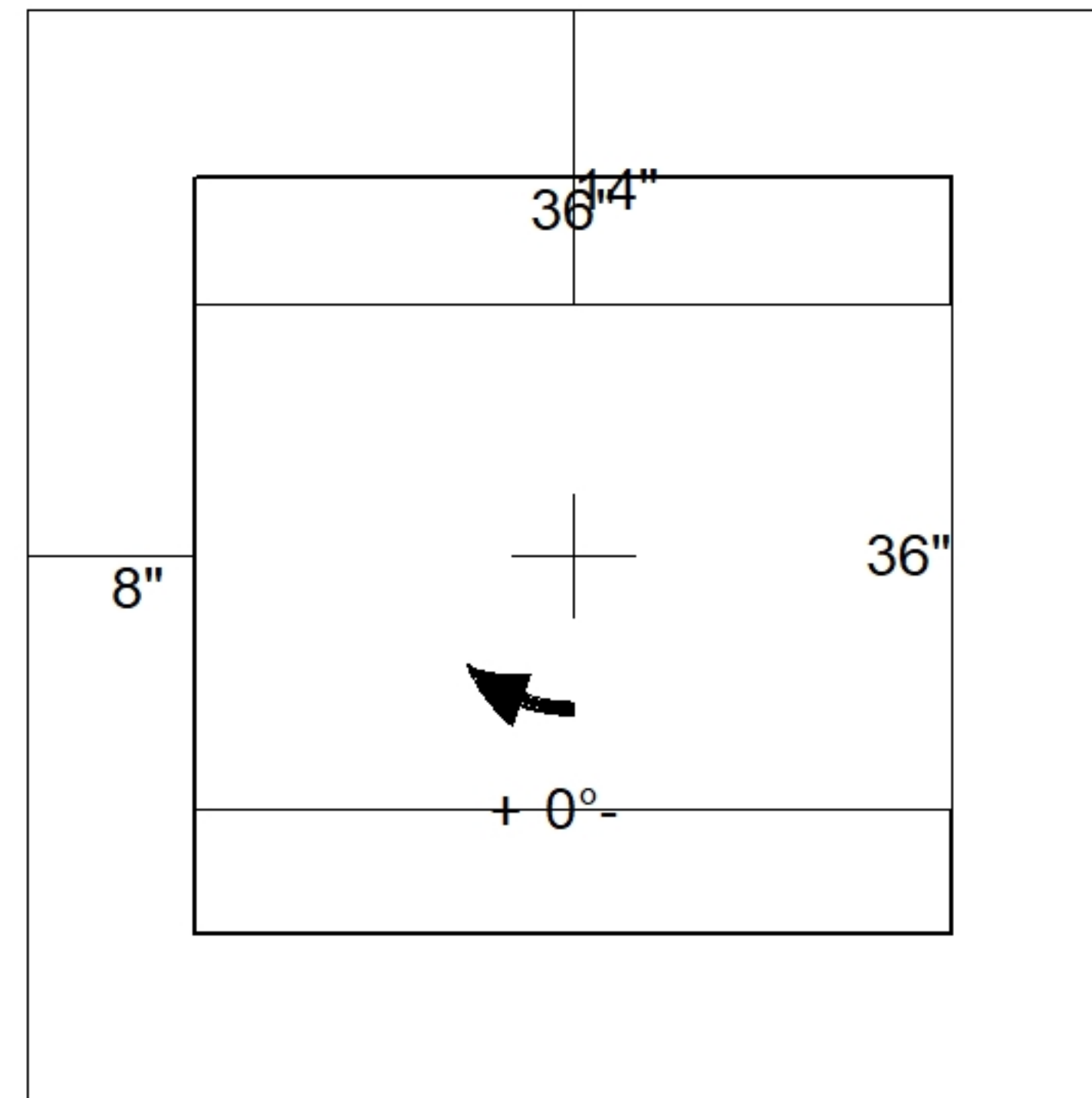
- P3) 24" x 120" - CB MED BAR BOX INLET 9B2 RH F/F - 17"
- P2) 36" x 36" - CB FT REDUCER 24"X36" HOLE-FT F/F - 8"
- P1) 36" x 36" - BOX BASE 8inW, 8inF F/n - 42"
- 1) 36" x 36" - Conseal CS-102 1.00"
- 1) 24" x 36" - Conseal CS-102 1.00"
- 2) Hole - 34
- 1) Hole - 22
- 2) Hole - 10

4000 lb
 1235 lb
 5211 lb
 0 lb
 0 lb
 0 lb
 0 lb
 0 lb
 0 lb

Structure Total: 10446 lb

Structure Notes:

- KYTC STATE PROJECT 251007
- REINFORCING: #5 BAR @ 12" C/C E.W. (TYP.)
- CASTING FRAMES & GRATES BY OTHERS.
- CS-102 BUTYL REQUIRED (SUPPLIED BY ICAST).
- KYTC CERTIFICATIONS REQUIRED.



36" x 36" - CB FT REDUCER 24"X36" HOLE-FT F/F - 8" - (P2)

Coating (Int):	Seam Up: Flat	Wall Thickness: 8"	Height (Ext): 8"
Coating (Ext):	Seam Dn: Flat		Weight (Net): 1235 lb Volume (Net): 0.32cu.yd