

Job Name: 25-1684 KYTC Jefferson Co. Call 200 (251007)
Job Location: I-264 Louisville, Ky.
Contractor: Cleary Construction, Inc.

PC: J. Jarvis
 TECH: N. Richards
 Plant: Beaver Dam, Ky.



Structure ID: **5082+52 MBI B2**
 Spec: KYTC
 Type: MBI TYPE 9
 Size: 24" x 36"

Rim: 581.33'
 Invert: 575.53'
 Rim to Invert: 5.8'

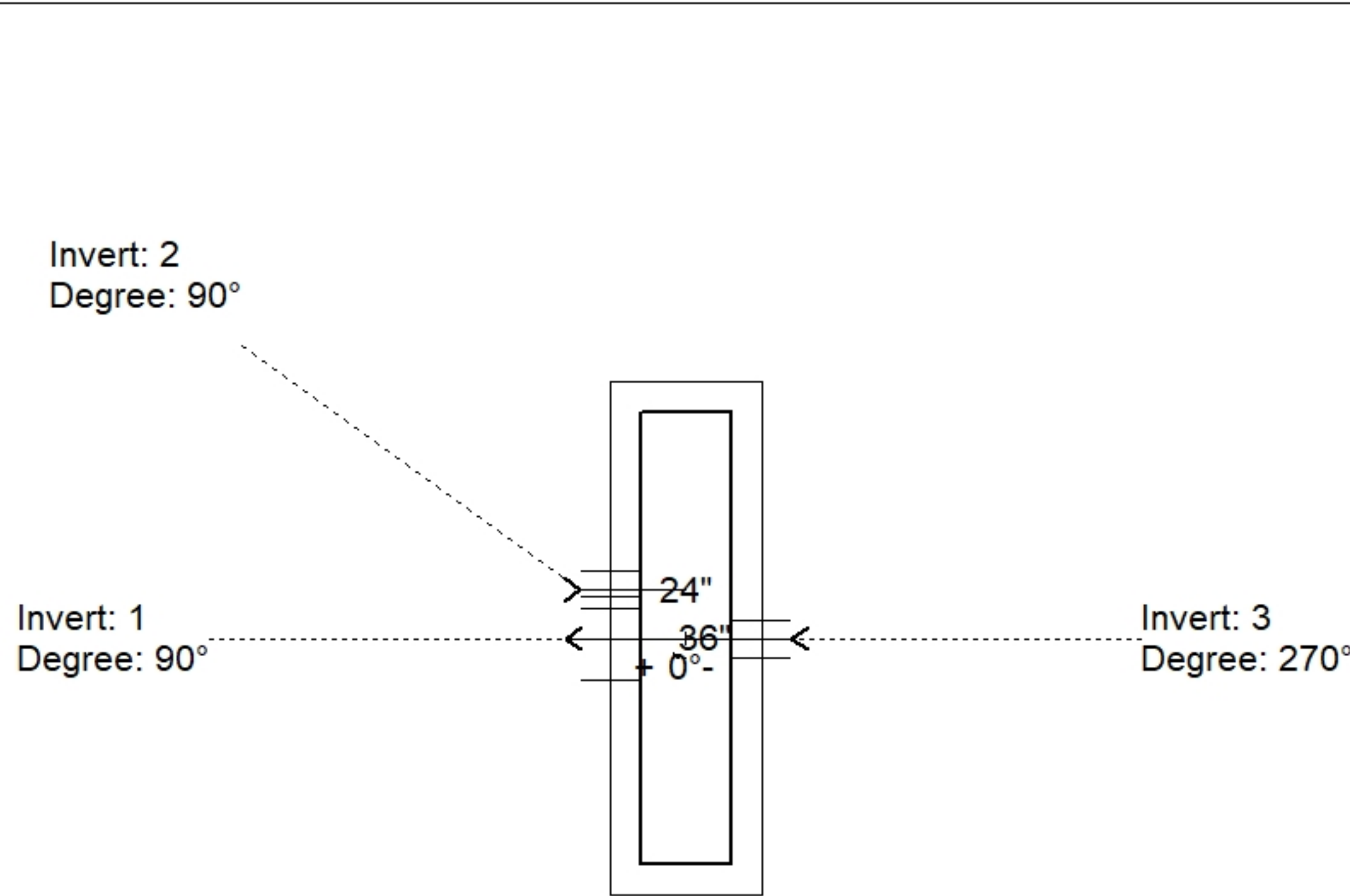
Sump: 0"
 Floor (Top): 575.53'
 Floor Height: 8"

Floor (Bot): 574.863'
 Overall Height: 6.083'
 Slack: 4.6"

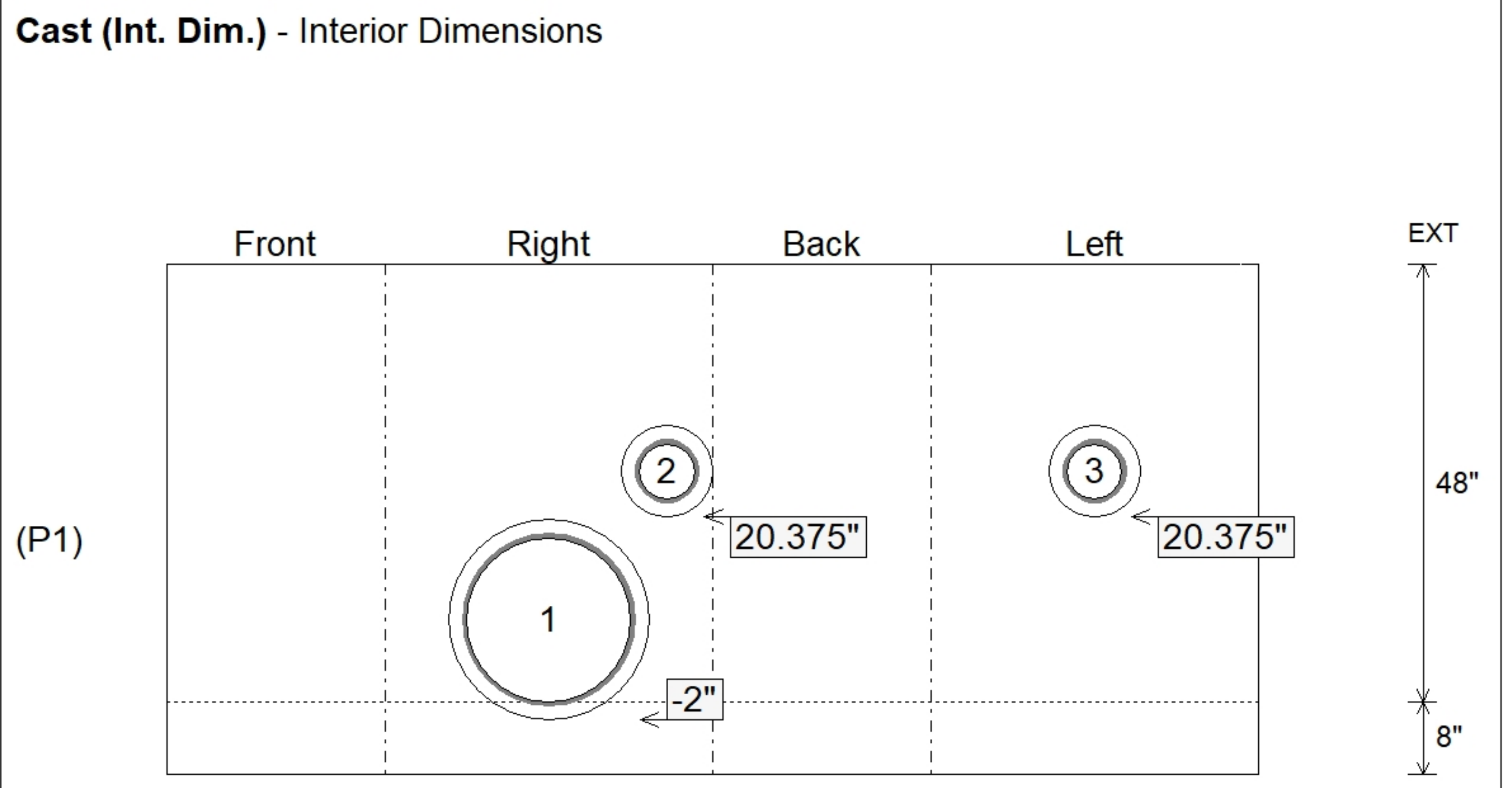
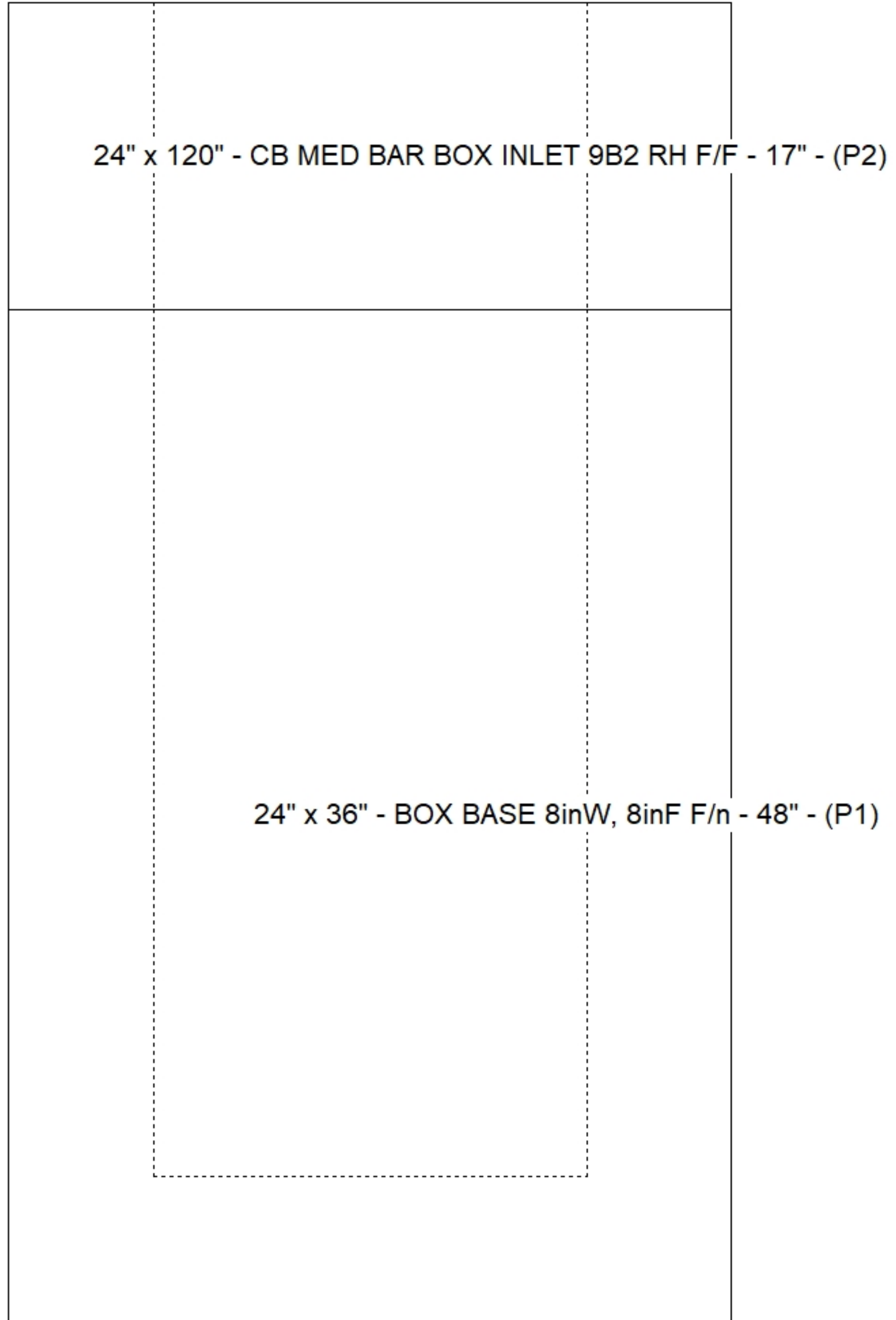
Structure Notes:
 -KYTC STATE PROJECT 251007
 -REINFORCING: #5 BAR @ 12" C/C E.W. (TYP.)
 -CASTING FRAMES & GRATES BY OTHERS.
 -CS-102 BUTYL REQUIRED (SUPPLIED BY ICAST).
 -KYTC CERTIFICATIONS REQUIRED.

STRUCTURE SUMMARY:

P2) 24" x 120" - CB MED BAR BOX INLET 9B2 RH F/F - 17"	4000 lb
P1) 24" x 36" - BOX BASE 8inW, 8inF F/n - 48"	5947 lb
1) 24" x 36" - Conseal CS-102 1.00"	0 lb
1) Hole - 22	0 lb
2) Hole - 10	0 lb
Structure Total:	9947 lb



Position	Elev	Angle	Pipe	Pipe OD	Hole	Connector	Up (")	Ref
Rim	581.33'							
Reducer								
Invert 1	575.53'	90°	18" CMP	19"	22"	Hole 22	-2"	P1
Invert 2	577.39'	90°	6" HDPE	6.9"	10"	Hole 10	20.375"	P1
Invert 3	577.39'	270°	6" HDPE	6.9"	10"	Hole 10	20.375"	P1
Invert 4								
Invert 5								
Invert 6								
Invert 7								
Invert 8								



Submittal Drawing
 11/24/2025 2:09:00 PM

SUBMITTAL
 APPROVED BY: