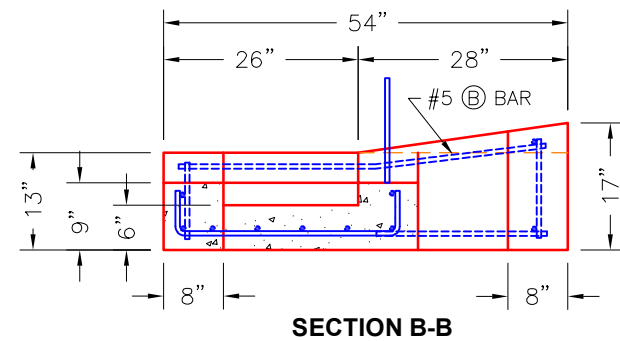
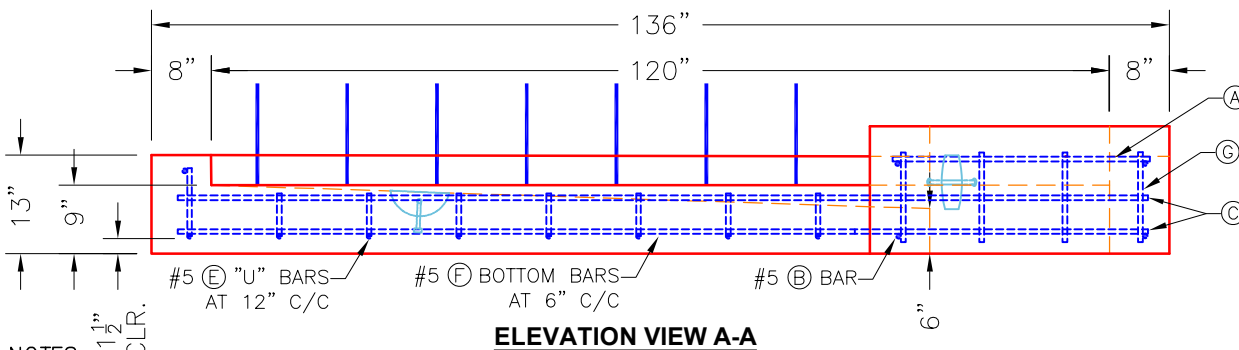
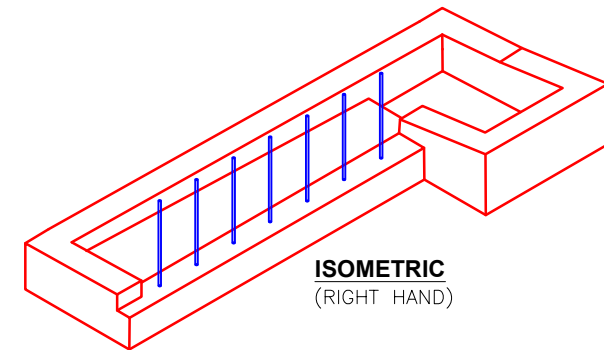
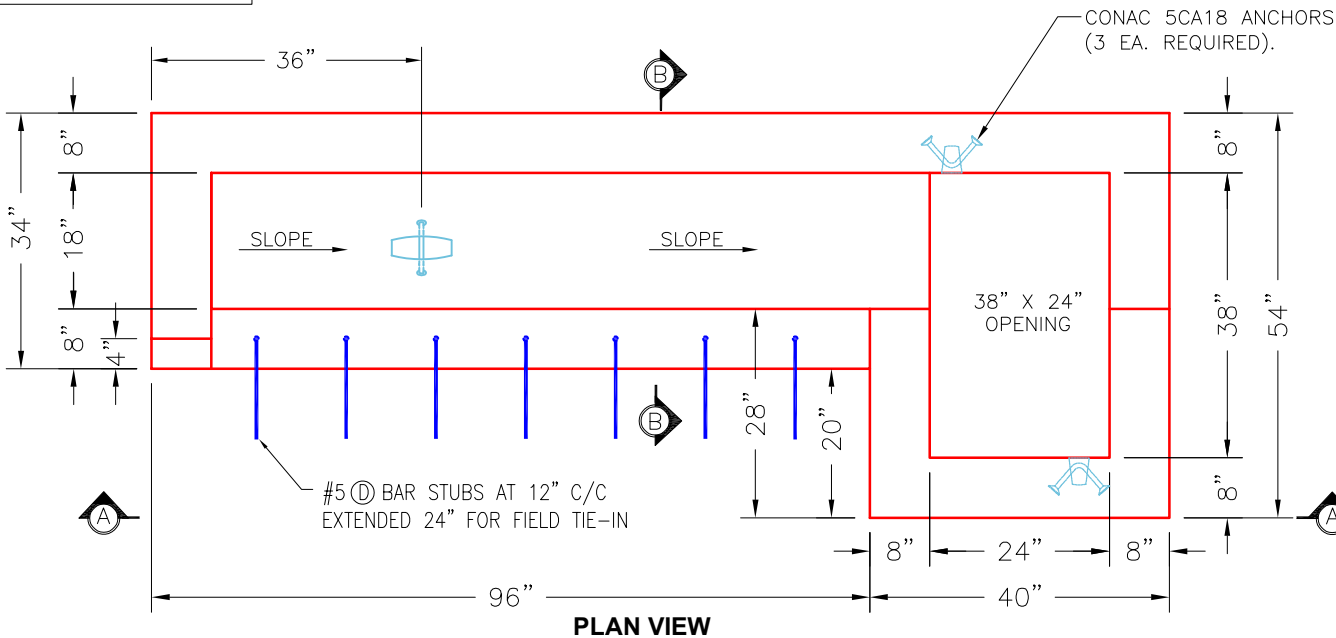


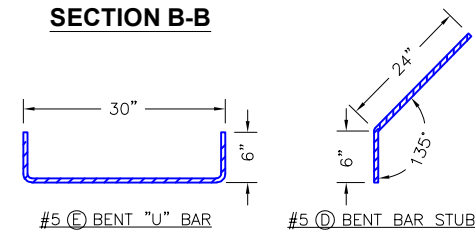
**\*KYTC STATE PRODUCT\***


**REINFORCING CUT LIST**

BAR	QTY.	MATERIAL	LENGTH	SHAPE	TOTAL WEIGHT
(A)	3	#5 BAR	34'	STR.	9 LBS.
(B)	2	#5 BAR	48'	STR.	8 LBS.
(C)	3	#5 BAR	132'	STR.	34 LBS.
(D)	7	#5 'L' BAR	30'	BENT	44 LBS.
(E)	8	#5 'U' BAR	42'	BENT	30 LBS.
(F)	5	#5 BAR	100'	STR.	44 LBS.
(G)	8	#5 BAR	12'	STR.	8 LBS.



- NOTES:**
1. CONCRETE: 4,500 PSI KYTC APPROVED.
  2. REINFORCING: #5 BAR-SEE CHART (GRADE 60)
  3. REINFORCING BARS TO BE TACK WELDED OR TIED.
  4. LIFTING ANCHOR POCKETS TO BE GROUTED AFTER SETTING BY CONTRACTOR.
  5. DRAWING TO BE USED IN CONJUNCTION WITH KYTC STD. DRAWINGS RDB-230-09, RDB-231-11, RDB-240-02, AND THE STANDARD SPECIFICATIONS FOR ROAD AND BRIDGE CONSTRUCTION.
  6. TOP PHASE CAN BE SUPPLIED AS RIGHT HAND, LEFT HAND & SAG. "A" DESIGNATES SAG & "B" DESIGNATES GRADE CONDITION. "1" DESIGNATES REBAR STUBS ON ONE SIDE AND "2" DESIGNATES REBAR STUBS ON BOTH SIDES AS SHOWN.



<b>PRODUCTION WORK ORDER</b>		PRODUCT I.D.: CMBBIT9-B1RH	DESCRIPTION: KYTC MBI B1 TYPE 9 10' TOP PHASE (RIGHT HAND)		
	QUALITY CONTROL CHECKLIST	PRODUCT VIEW: RIGHT SIDE UP	CUSTOMER: CLEARLY CONSTRUCTION INC.		
	<input type="checkbox"/> ALL DIMENSIONS CORRECT.	PLANT: BEAVER DAM, KY.	PROJECT: JEFFERSON CO. (251007)		
	<input type="checkbox"/> LIFTERS INSTALLED.	WEIGHT: 4,325 LBS.	STRUCTURE ID.: 18+72 MBI B1 (SEC. P2)		
	<input type="checkbox"/> CASTING AT CORRECT LOCATION.	TOP SECTION JOINT: N/A	SALES ORDER NO.: 25-1684		
	<input type="checkbox"/> REINFORCING CORRECT.	BOTTOM SECTION JOINT: SHIP-LAP GROOVE	PC: J. JARVIS	DRAWING: N. RICHARDS	
	<input type="checkbox"/> LIGHT BRUSH FINISH ACCEPTABLE.	QC CHECK INITIALS:	DATE: 11/19/25	SCALE: NTS	PG. 1 of 1