

Job Name: 25-1675 - Campbellsville Middle School Ph 2
 Job Location: Campbellsville, KY 72718
 Contractor: Rising Sun Development Company

Plant: Beaver Dam, KY

Tech: J. Coppage

4/23/2026 3:20:38 PM

PC: J. Jarvis



Structure ID: 4

P3 GR4

GRADE RING F/F

- P4) 24" - CASTING HEIGHT - 7"
- P3) 24" - GRADE RING F/F - 4"
- P2) 48" - MH FLAT TOP w/ 24" ECC Hole F/G - 12"
- P1) 48" - MH BASE T/n - 72"
- 1) CASTING - HOE MCB-315-B Fr./Bar Grate
- 1) 48" - Conseal CS-102 1.00"
- 2) Hole - 30
- 1) Hole - 18
- 6) MH Step ML-10-TDS-NCR - 10"

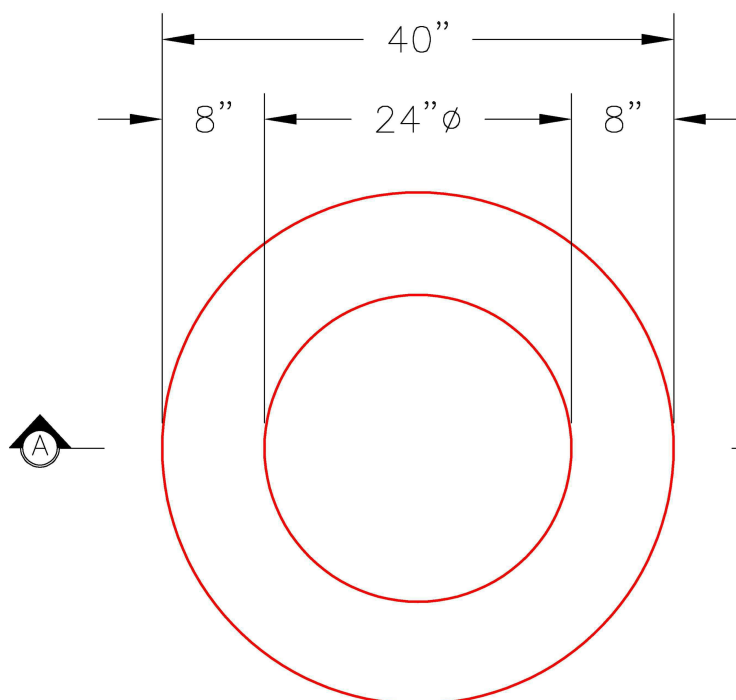
0 lb
 270 lb
 1561 lb
 5619 lb
 255 lb
 0 lb
 0 lb
 0 lb
 0 lb

 0 lb

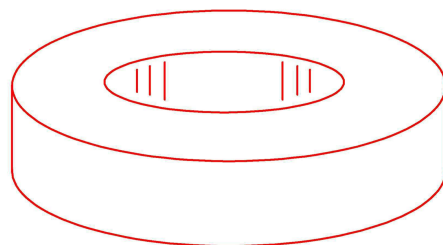
Structure Total: 7705 lb

Structure Notes:

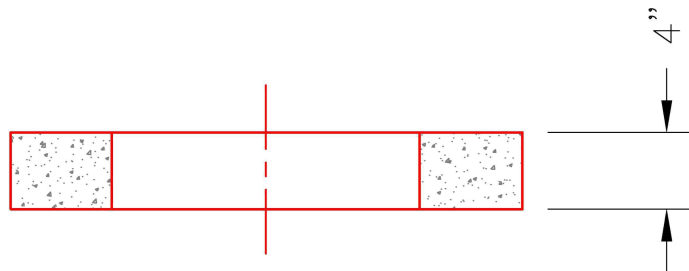
1. PER ASTM C-478 SPECIFICATIONS
2. CONCRETE: 4,500 PSI AT 28 DAYS
3. REINFORCEMENT: (1) #3 HOOP CENTERED (GRADE 60)



PLAN VIEW



ISOMETRIC VIEW



SECTION A-A

Coating (Int):
 Coating (Ext):

Seam Up: Flat
 Seam Dn: Flat

Wall Thickness: 8"

Height (Ext): 4"

Weight (Net): 270 lb
 Volume (Net): 0.07cu.yd