

Job Name: 25-1675 - Campbellsville Middle School Ph 2
 Job Location: Campbellsville, KY 72718
 Contractor: Rising Sun Development Company

Plant: Beaver Dam, KY

Tech: J. Coppage

4/23/2026 3:20:39 PM

PC: J. Jarvis



Structure ID: 14

P2 MH048LD07ECC

MH FLAT TOP w/ 24" ECC Hole F/F

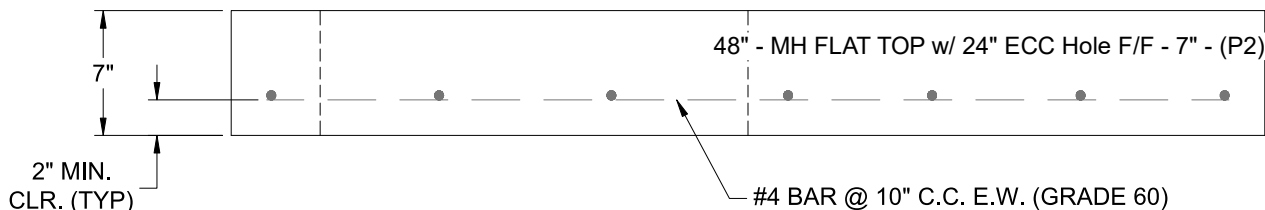
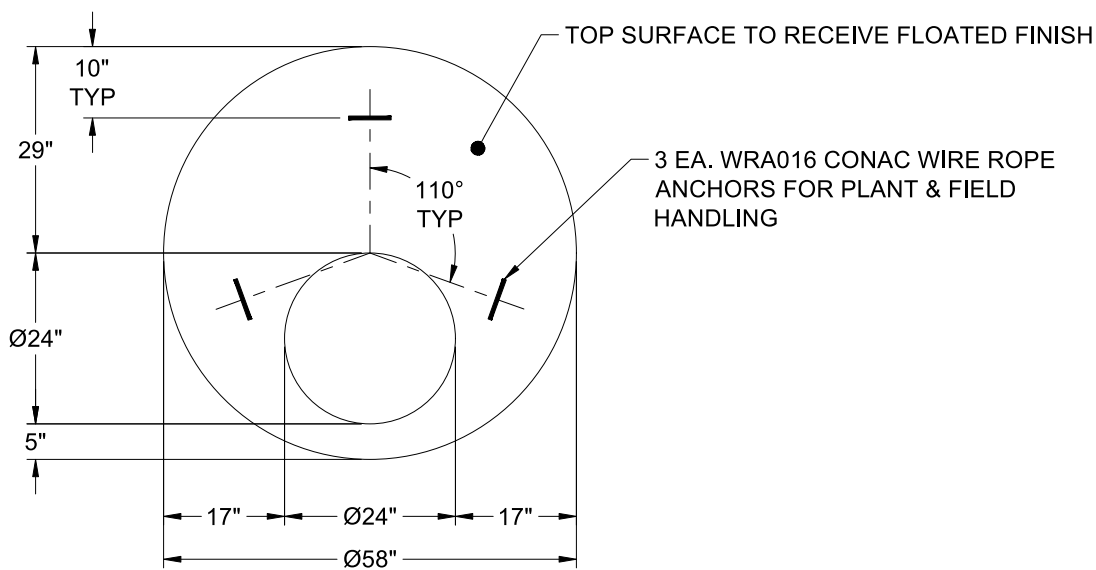
- P3) 24" - CASTING HEIGHT - 7"
- P2) 48" - MH FLAT TOP w/ 24" ECC Hole F/F - 7"
- P1) 48" - MH BASE Custom Ht F/n - 38"
- 1) CASTING - HOE MCB-315-B Fr./Bar Grate
- 1) 48" - Conseal CS-102 1.00"
- 2) Hole - 30
- 3) MH Step ML-10-TDS-NCR - 10"

- 0 lb
- 1286 lb
- 3353 lb
- 255 lb
- 0 lb
- 0 lb
- 0 lb
- 0 lb

Structure Total: 4894 lb

Structure Notes:

1. PER ASTM C-478 SPECIFICATIONS
2. CONCRETE: 4,500 PSI AT 28 DAYS
3. REINFORCEMENT: #4 BAR @ 10" C.C. E.W. (GRADE 60) - 2" MIN. REBAR CLEARANCE (TYP)
4. HOE MCB-315-B FRAME & BAR GRATE SUPPLIED BY ICAST
5. LIFTERS: 3 EA. WRA016 CONAC WIRE ROPE ANCHORS FOR PLANT & FIELD HANDLING
6. TOP SURFACE TO RECEIVE FLOATED FINISH



Coating (Int):
 Coating (Ext):

Seam Up: Flat
 Seam Dn: Flat

Wall Thickness: 5"

Height (Ext): 7"

Weight (Net): 1286 lb
 Volume (Net): 0.33cu.yd