

Job Name: 25-1670 Closplint Cluster Sewer System
Job Location: Baxter, KY
Contractor: Highland Services

PC: T. Ryan
 TECH: J. Coppage
 Plant: Beaver Dam



Structure ID: **SSMH**
 Spec: Sanitary
 Type: SAN.MH
 Size: 48"

Rim: 1540.38'
 Invert: 1536.96'
 Rim to Invert: 3.42'

Sump: 2"
 Floor (Top): 1536.793'
 Floor Height: 8"

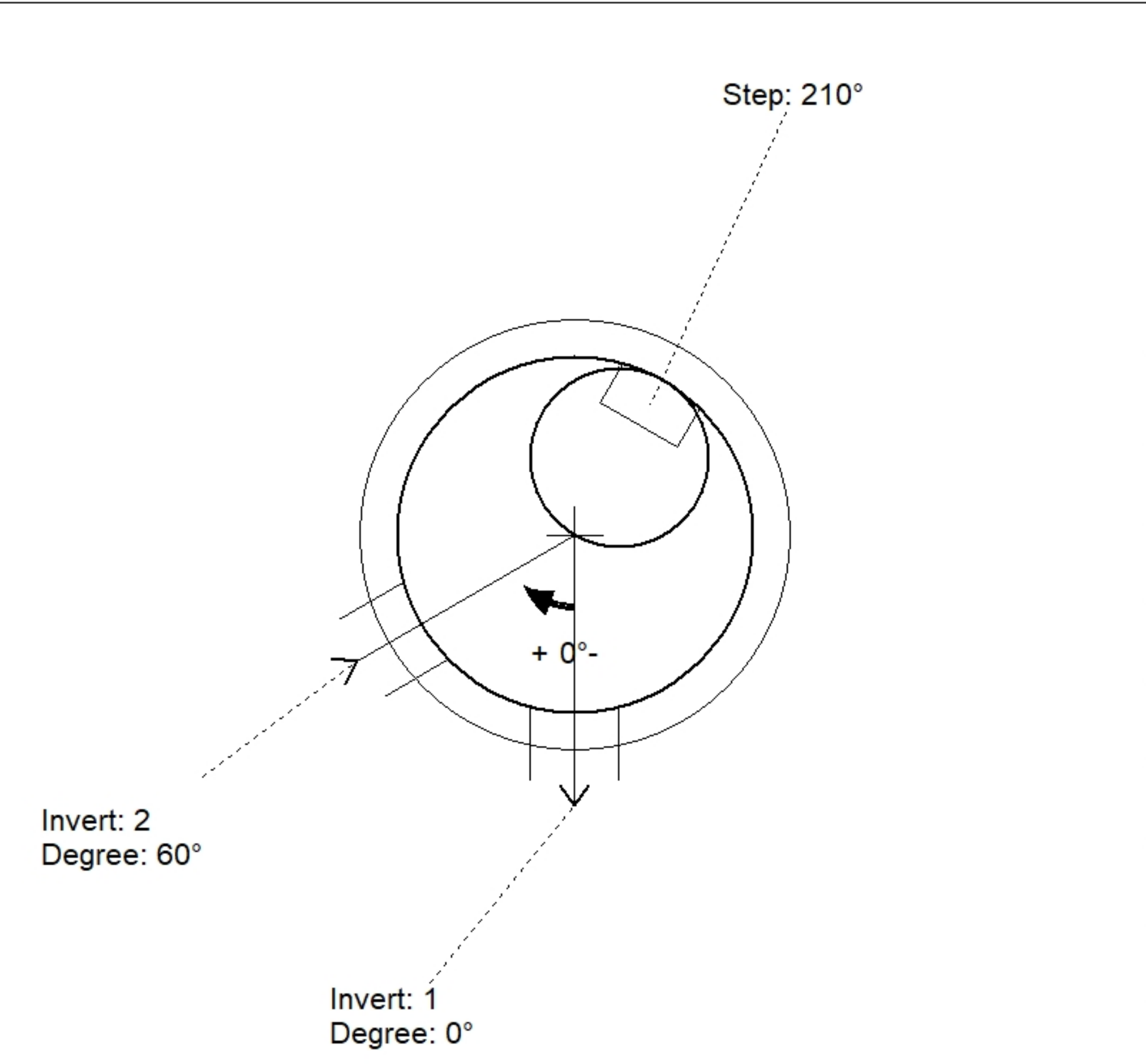
Floor (Bot): 1536.127'
 Overall Height: 4.25'
 Slack: 0.04"

Structure Notes:

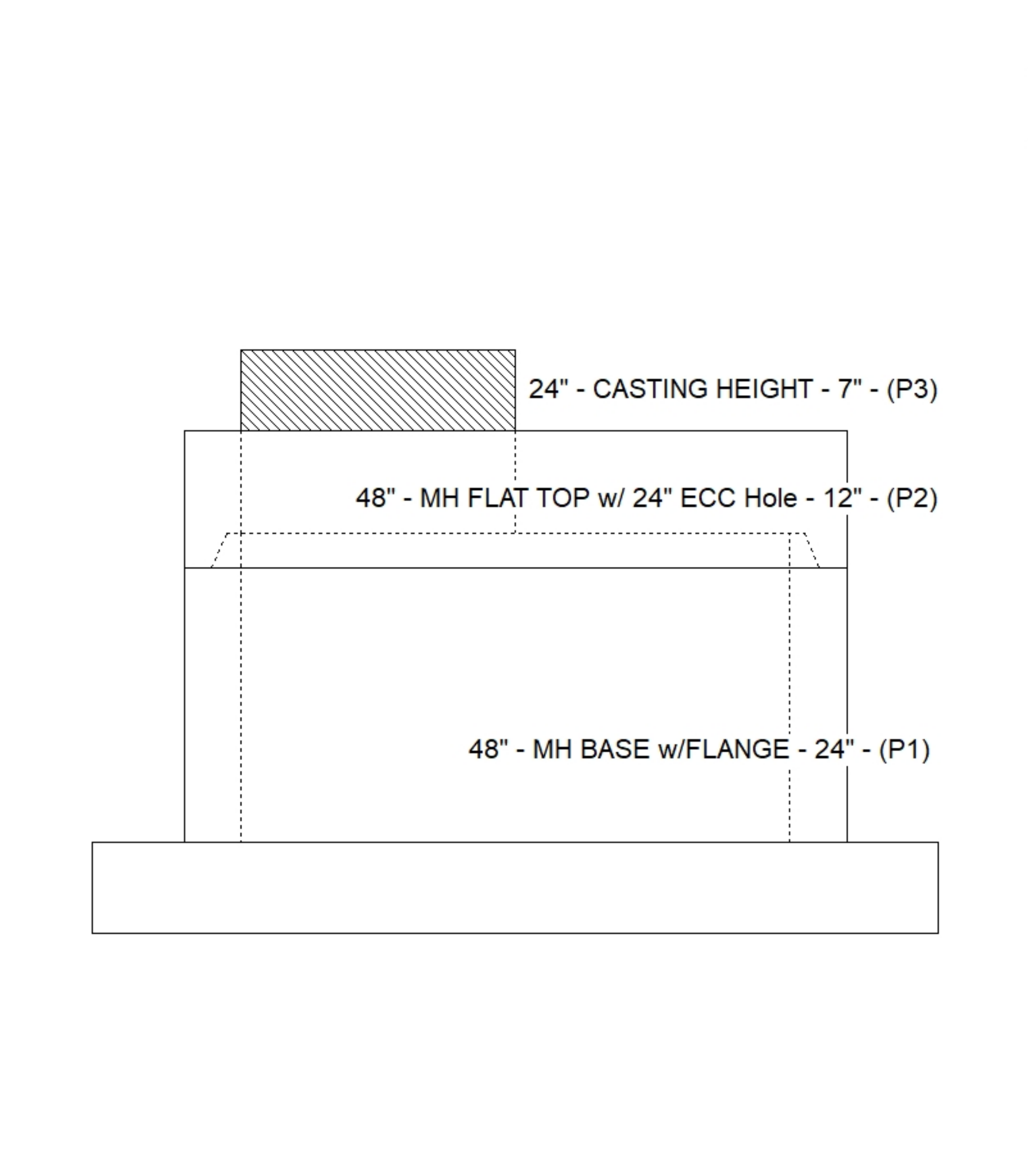
1. JR HOE MC-315 SAN PROVIDED BY ICAST.
2. PER ASTM C478 SPECIFICATIONS.
3. CONCRETE = 4,000 PSI AT 28 DAYS.
4. REINFORCING PER ASTM A615 (GRADE 60).
 - CONE (As .12)
 - RISER/WALLS (As .12)
 - FLOOR (As .31) #5 BARS AT 12" C.C.E.W.

STRUCTURE SUMMARY:

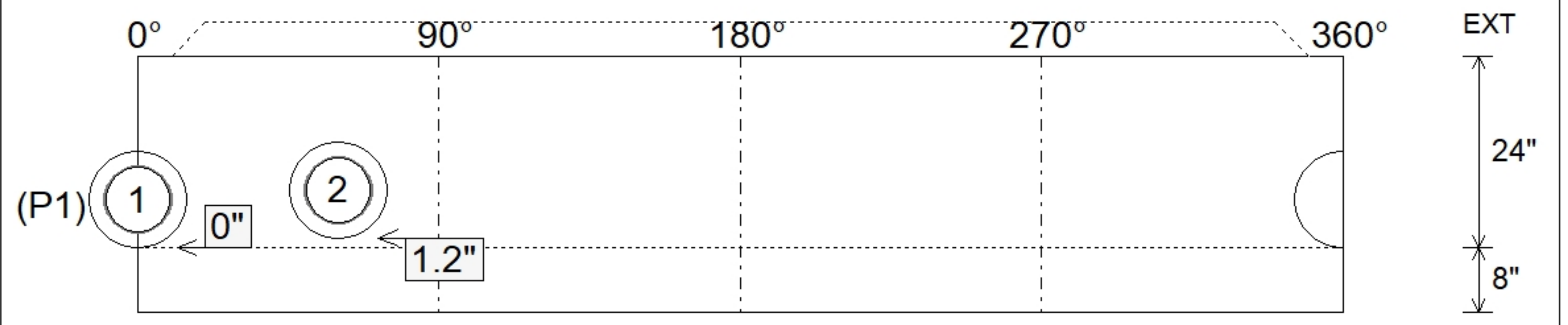
P3) 24" - CASTING HEIGHT - 7"	0 lb
P2) 48" - MH FLAT TOP w/ 24" ECC Hole - 12"	1561 lb
P1) 48" - MH BASE w/FLANGE - 24"	4468 lb
1) 48" - MH INVERT CHANNEL - FULL HEIGHT	1440 lb
1) JOINT WRAP - 12" WD x 048" MAC WRAP	0 lb
1) 48" - Conseal CS-102 1.00" (Double)	0 lb
2) PSX - 12-08 NYLO	16 lb
1) MH Step ML-10-TDS-NCR - 10"	0 lb
Structure Total:	7485 lb



Position	Elev	Angle	Pipe	Pipe OD	Hole	Connector	Up (")	Ref
Rim	1540.38'							
Reducer								
Invert 1	1536.96'	0°	8" PVC SDR35	8.5"	12"	PSX 12-08 NYLO	0"	P1
Invert 2	1537.06'	60°	8" PVC SDR35	8.5"	12"	PSX 12-08 NYLO	1.2"	P1
Invert 3								
Invert 4								
Invert 5								
Invert 6								
Invert 7								
Invert 8								



Default - Interior Dimensions



Submittal Drawing
 11/18/2025 8:57:13 AM

SUBMITTAL
 APPROVED BY: