

**Job Name: 25-1664 Springfield WWTP**  
**Job Location: Springfield, TN**  
**Contractor: Smith Contractors, Inc.**

PC: C. Goff  
 TECH: J. Coppage  
 Plant: Beaver Dam



Structure ID: **SULPHUR-SSMH-1 2+56.07**

Spec: Sanitary-Xypex  
 Type: Transition Manhole  
 Size: 72"

Rim: 511.17'  
 Invert: 495.13'  
 Rim to Invert: 16.04'

Sump: 3"  
 Floor (Top): 494.88'  
 Floor Height: 8"

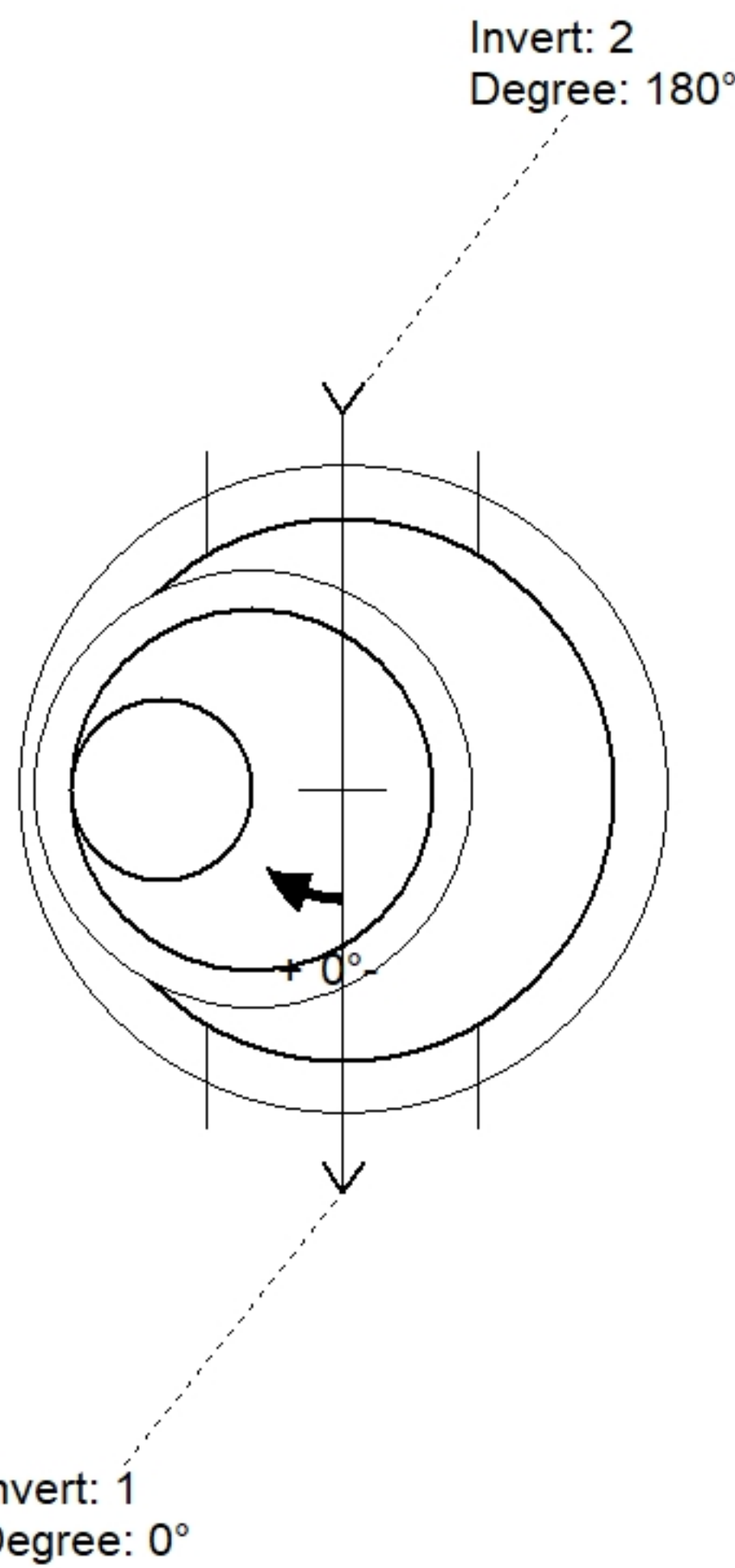
Floor (Bot): 494.213'  
 Overall Height: 16.917'  
 Slack: 0.48"

**Structure Notes:**

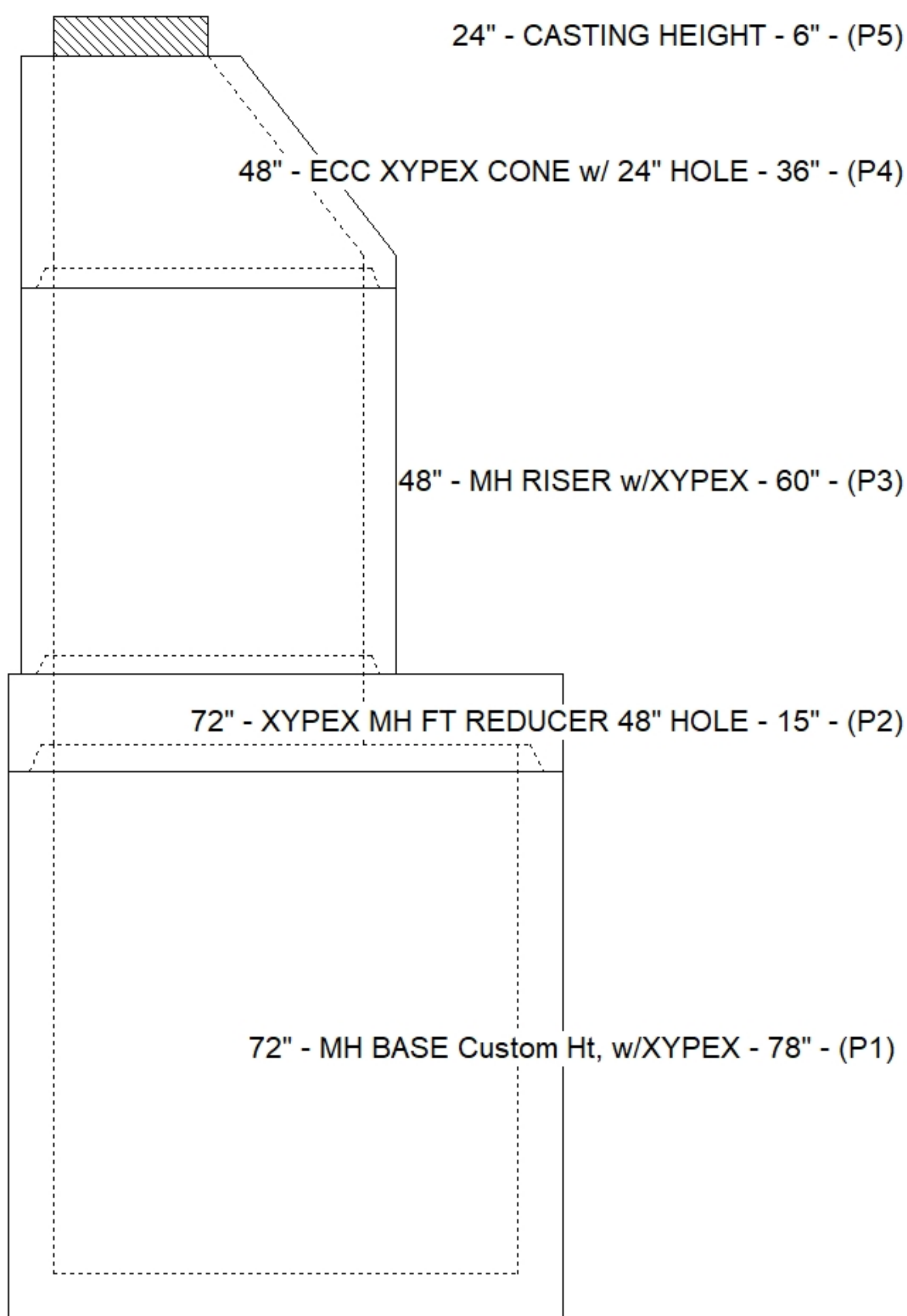
1. JBS-1155 SANITARY BY ICAST.
  2. PER ASTM C478 SPECIFICATIONS.
  3. CONCRETE = 4,000 PSI AT 28 DAYS.
  4. REINFORCING PER ASTM A615 (GRADE 60).
- CONE (As .12)
  - TRANS. SLAB - AS SHOWN BY WINFORD PETRONE
  - RISER/WALLS (As .12)
  - FLOOR - AS SHOWN BY WINFORD PETRONE

**STRUCTURE SUMMARY:**

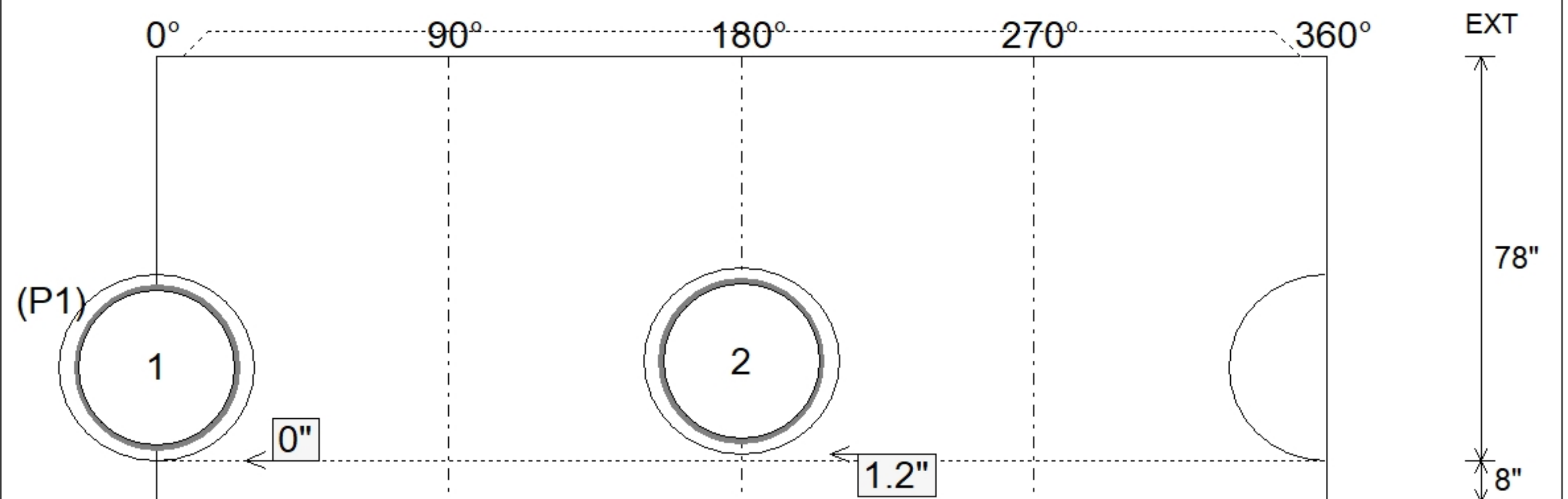
P5)	24" - CASTING HEIGHT - 6"	0 lb
P4)	48" - ECC XYPEX CONE w/ 24" HOLE - 36"	2251 lb
P3)	48" - MH RISER w/XYPEX - 60"	4192 lb
P2)	72" - XYPEX MH FT REDUCER 48" HOLE - 15"	3864 lb
P1)	72" - MH BASE Custom Ht, w/XYPEX - 78"	14027 lb
1)	JOINT WRAP - 0.065"x6"x50' CONSEAL CS212	0 lb
1)	JOINT WRAP PRIMER - CONSEAL CS-75 (1 gal.)	0 lb
1)	72" - MH INVERT CHANNEL w/XYPEX - FULL HEIGHT	5422 lb
1)	72" - Conseal CS-102 1.00" (Double)	0 lb
2)	48" - Conseal CS-102 1.00" (Double)	0 lb
2)	Kor-N-Seal2 - S206-36	13 lb
	343.84 SqFt) MASTERSEAL 610 - Two Coats [EXT]	0 lb
	<b>Structure Total:</b>	<b>29769 lb</b>



Position	Elev	Angle	Pipe	Pipe OD	Hole	Connector	Up (")	Ref
Rim	511.17'							
Reducer	501.38'							
Invert 1	495.13'	0°	30" DI	32"	36"	Kor-N-Seal2 S206-36	0"	P1
Invert 2	495.23'	180°	30" DI	32"	36"	Kor-N-Seal2 S206-36	1.2"	P1
Invert 3								
Invert 4								
Invert 5								
Invert 6								
Invert 7								
Invert 8								



**Default - Interior Dimensions**



Submittal Drawing  
 2/3/2026 8:57:21 AM

SUBMITTAL  
 APPROVED BY: