

Job Name: 25-1664 Springfield WWTP
Job Location: Springfield, TN
Contractor: Smith Contractors, Inc.

PC: C. Goff
 TECH: J. Coppage
 Plant: Beaver Dam



Structure ID: **STMWTR MH 3 - 7+19.57**

Spec: Storm
 Type: STM.MH
 Size: 48"

Rim: 517.02'
 Invert: 511'
 Rim to Invert: 6.02'

Sump: 2.5"
 Floor (Top): 510.792'
 Floor Height: 6"

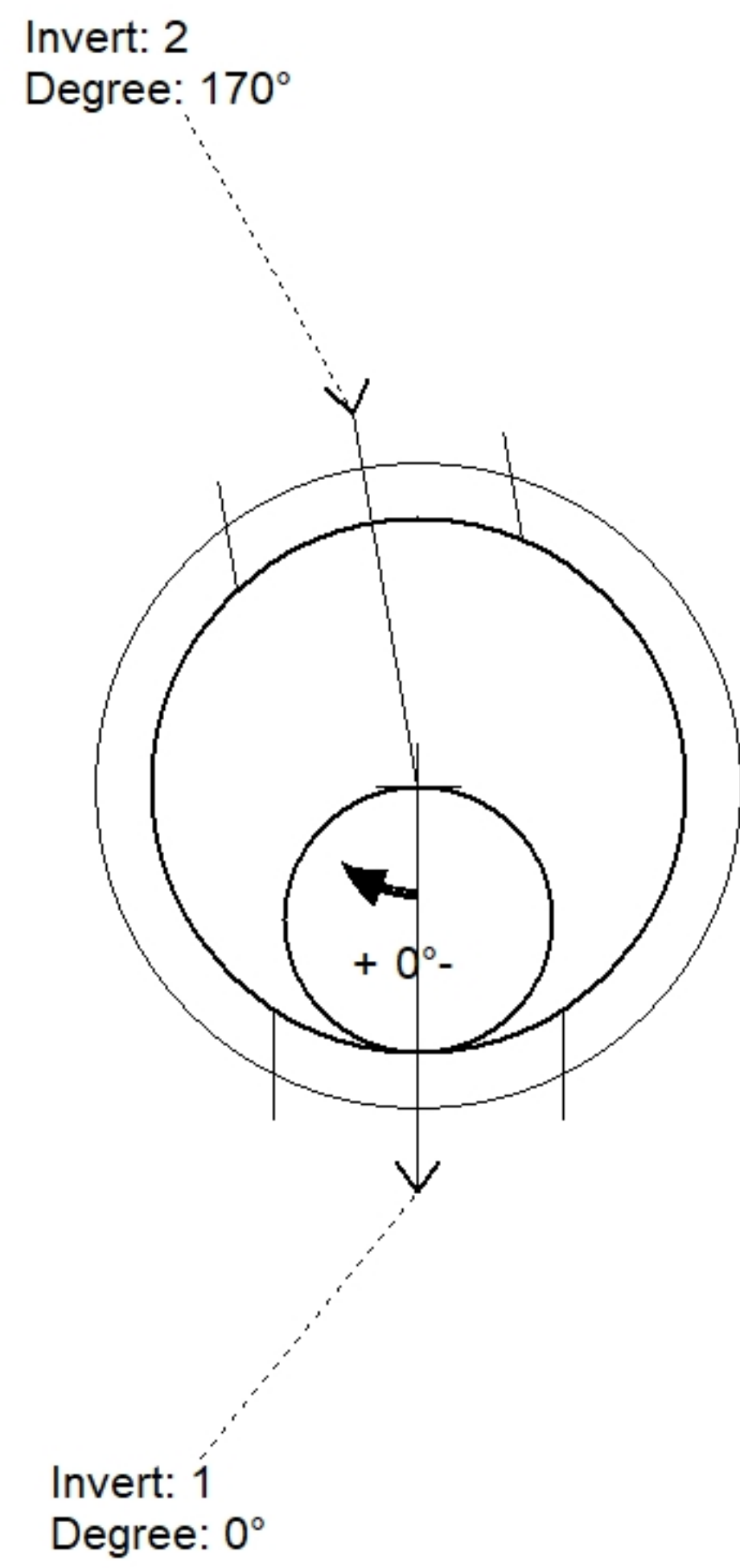
Floor (Bot): 510.292'
 Overall Height: 6.5'
 Slack: 2.74"

Structure Notes:

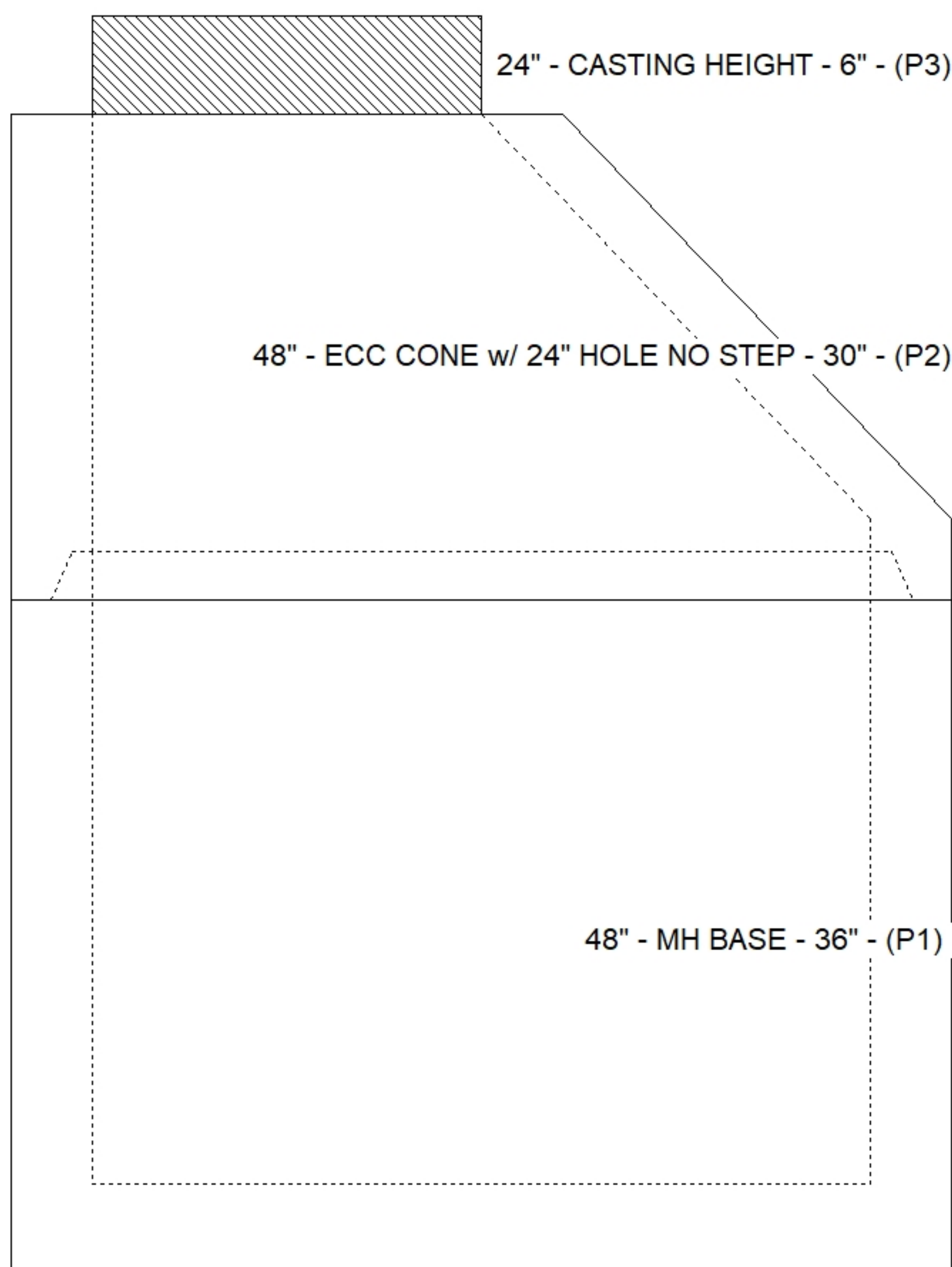
1. JBS-1155 STORM BY ICAST.
2. PER ASTM C478 SPECIFICATIONS.
3. CONCRETE = 4,000 PSI AT 28 DAYS.
4. REINFORCING PER ASTM A615 (GRADE 60).
 - TOP SLAB (As .62) #5 BARS AT 6" C.C.E.W..
 - RISER/WALLS (As .12)
 - FLOOR (As .31) #5 BARS AT 12" C.C.E.W.
5. ****NO STEPS****

STRUCTURE SUMMARY:

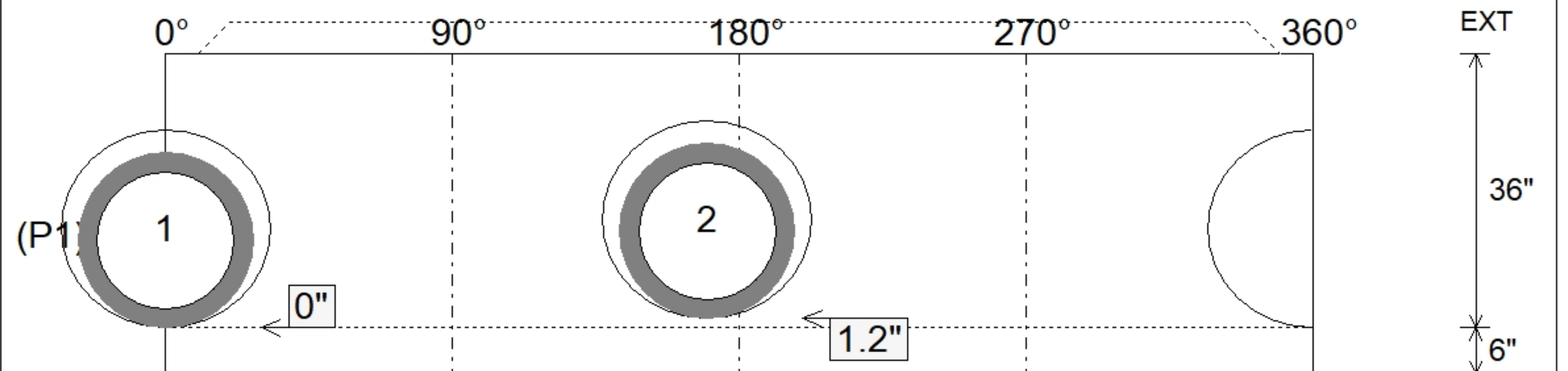
P3) 24" - CASTING HEIGHT - 6"	0 lb
P2) 48" - ECC CONE w/ 24" HOLE NO STEP - 30"	2050 lb
P1) 48" - MH BASE - 36"	3379 lb
1) CASTING - JBS 1155 F/C STORM	250 lb
1) 48" - Conseal CS-102 1.00"	0 lb
2) Hole - 26	0 lb
Structure Total:	5679 lb



Position	Elev	Angle	Pipe	Pipe OD	Hole	Connector	Up ()	Ref
Rim	517.02'							
Reducer								
Invert 1	511'	0°	18" RCP B WALL	23"	26"	Hole 26	0"	P1
Invert 2	511.1'	170°	18" RCP B WALL	23"	26"	Hole 26	1.2"	P1
Invert 3								
Invert 4								
Invert 5								
Invert 6								
Invert 7								
Invert 8								



Default - Interior Dimensions



Submittal Drawing
 12/10/2025 2:18:16 PM

SUBMITTAL
 APPROVED BY: