

Job Name: 25-1664 Springfield WWTP
Job Location: Springfield, TN
Contractor: Smith Contractors, Inc.

PC: C. Goff
 TECH: J. Coppage
 Plant: Beaver Dam



Structure ID: **STMWTR MH 2 - 4+54.73**

Spec: Storm Rim: 520.88'
 Type: STM.MH Invert: 512.16'
 Size: 48" Rim to Invert: 8.72'

Sump: 2.5"
 Floor (Top): 511.952'
 Floor Height: 6"

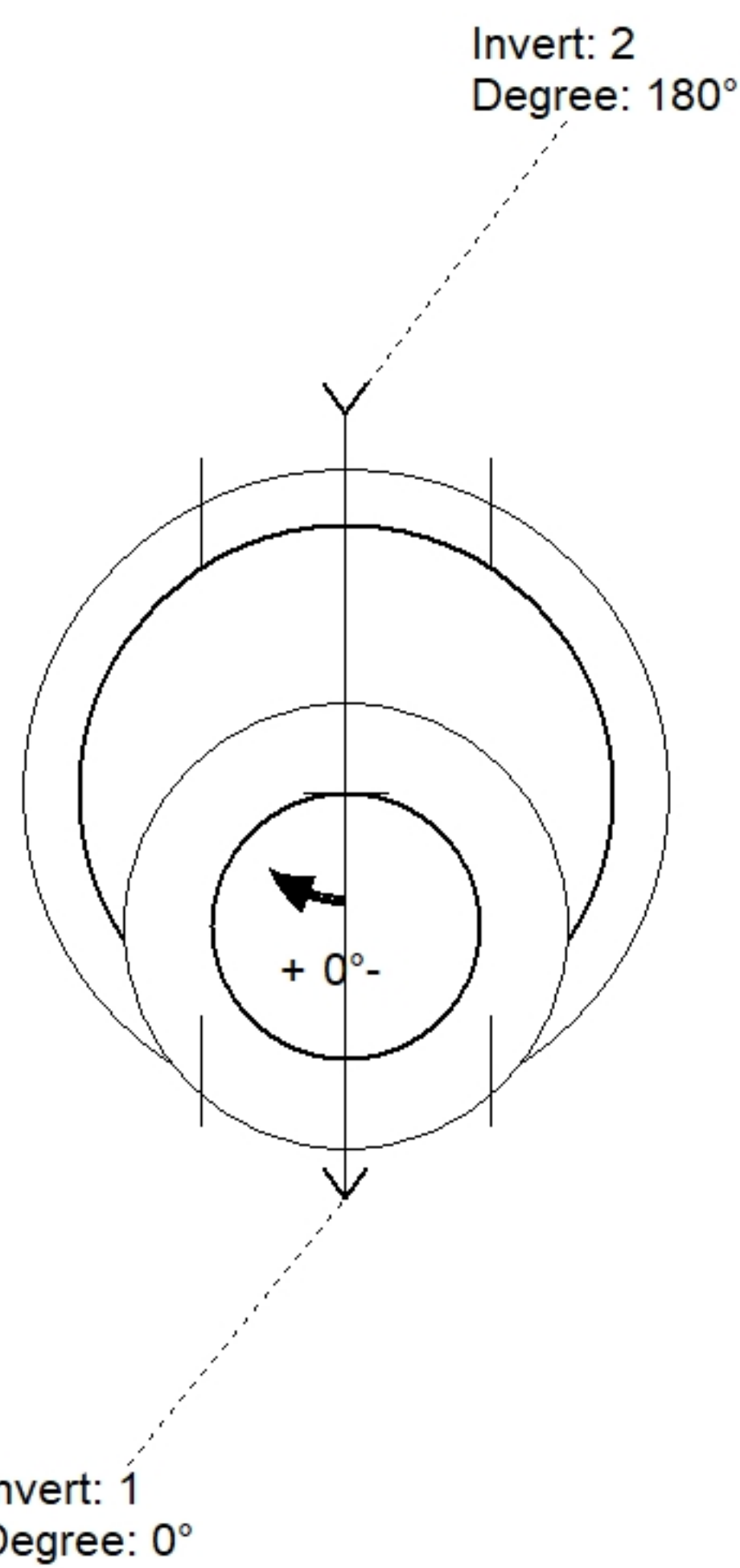
Floor (Bot): 511.452'
 Overall Height: 9.333'
 Slack: 1.14"

Structure Notes:

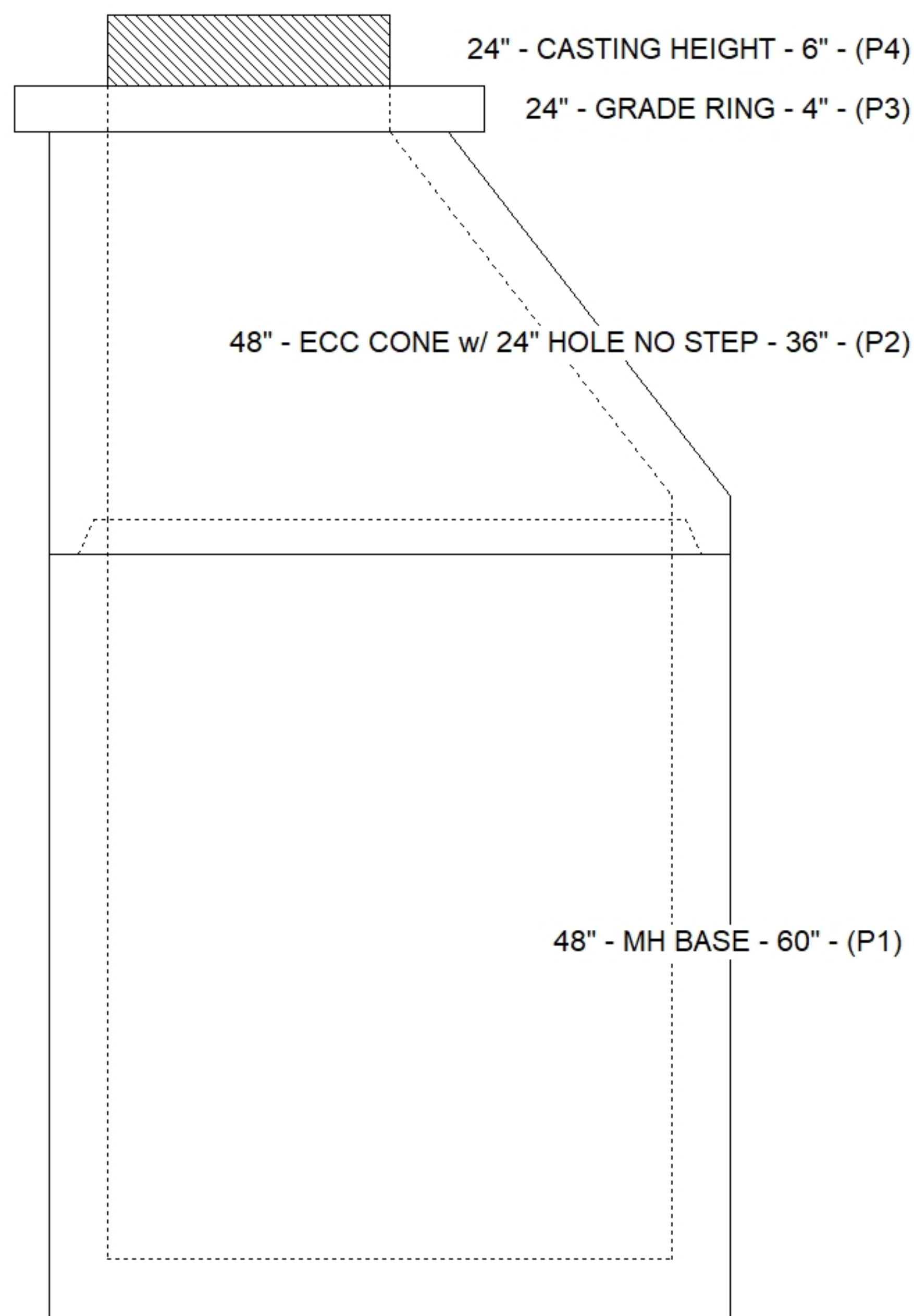
1. JBS-1155 STORM BY ICAST.
2. PER ASTM C478 SPECIFICATIONS.
3. CONCRETE = 4,000 PSI AT 28 DAYS.
4. REINFORCING PER ASTM A615 (GRADE 60).
 - CONE (As .12)
 - RISER/WALLS (As .12)
 - FLOOR (As .31) #5 BARS AT 12" C.C.E.W.
5. ****NO STEPS****

STRUCTURE SUMMARY:

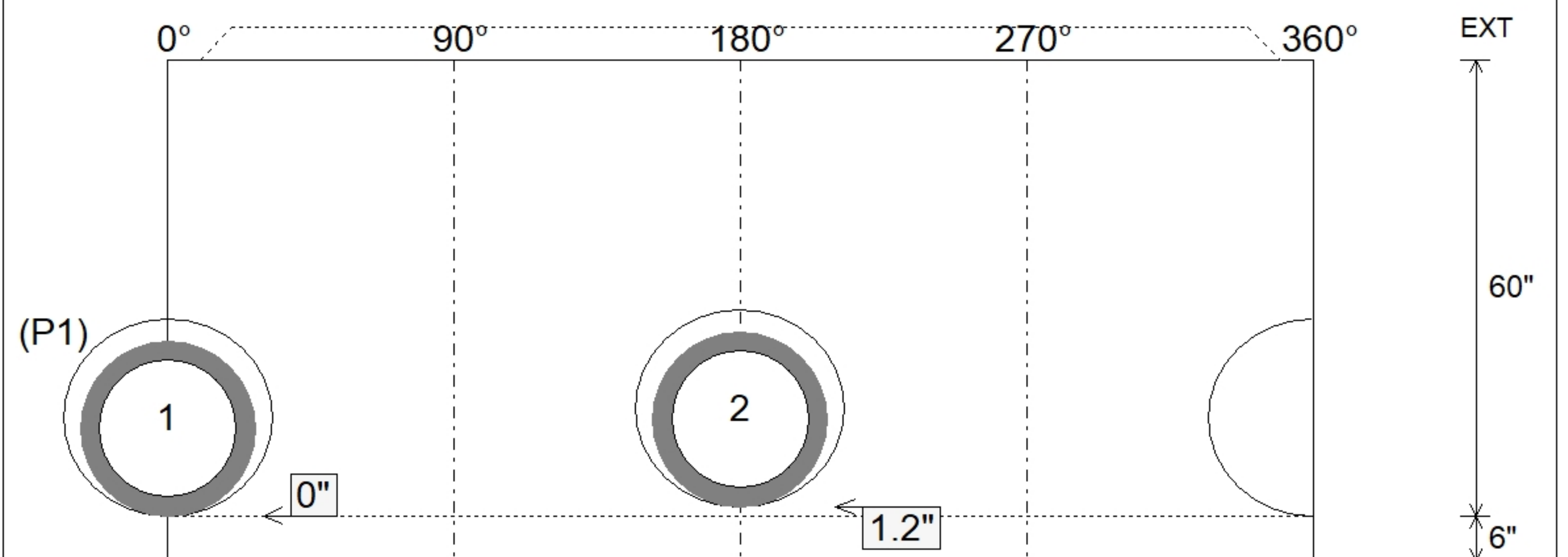
P4) 24" - CASTING HEIGHT - 6"	0 lb
P3) 24" - GRADE RING - 4"	270 lb
P2) 48" - ECC CONE w/ 24" HOLE NO STEP - 36"	3000 lb
P1) 48" - MH BASE - 60"	5055 lb
1) CASTING - JBS 1155 F/C STORM	250 lb
1) 48" - Conseal CS-102 1.00"	0 lb
2) Hole - 26"	0 lb
Structure Total:	8575 lb



Position	Elev	Angle	Pipe	Pipe OD	Hole	Connector	Up (")	Ref
Rim	520.88'							
Reducer								
Invert 1	512.16'	0°	18" RCP B WALL	23"	26"	Hole 26	0"	P1
Invert 2	512.26'	180°	18" RCP B WALL	23"	26"	Hole 26	1.2"	P1
Invert 3								
Invert 4								
Invert 5								
Invert 6								
Invert 7								
Invert 8								



Default - Interior Dimensions



Submittal Drawing
 12/10/2025 2:18:15 PM

SUBMITTAL
 APPROVED BY: