

Job Name: 25-1664 Springfield WWTP
Job Location: Springfield, TN
Contractor: Smith Contractors, Inc.

PC: C. Goff
 TECH: J. Coppage
 Plant: Beaver Dam



Structure ID: **STMH-1 6+86.91 (Outfall MH)**

Spec: Storm Rim: 503.95'
 Type: STM.MH Invert: 496.85'
 Size: 72" Rim to Invert: 7.1'

Sump: 4"
 Floor (Top): 496.517'
 Floor Height: 8"

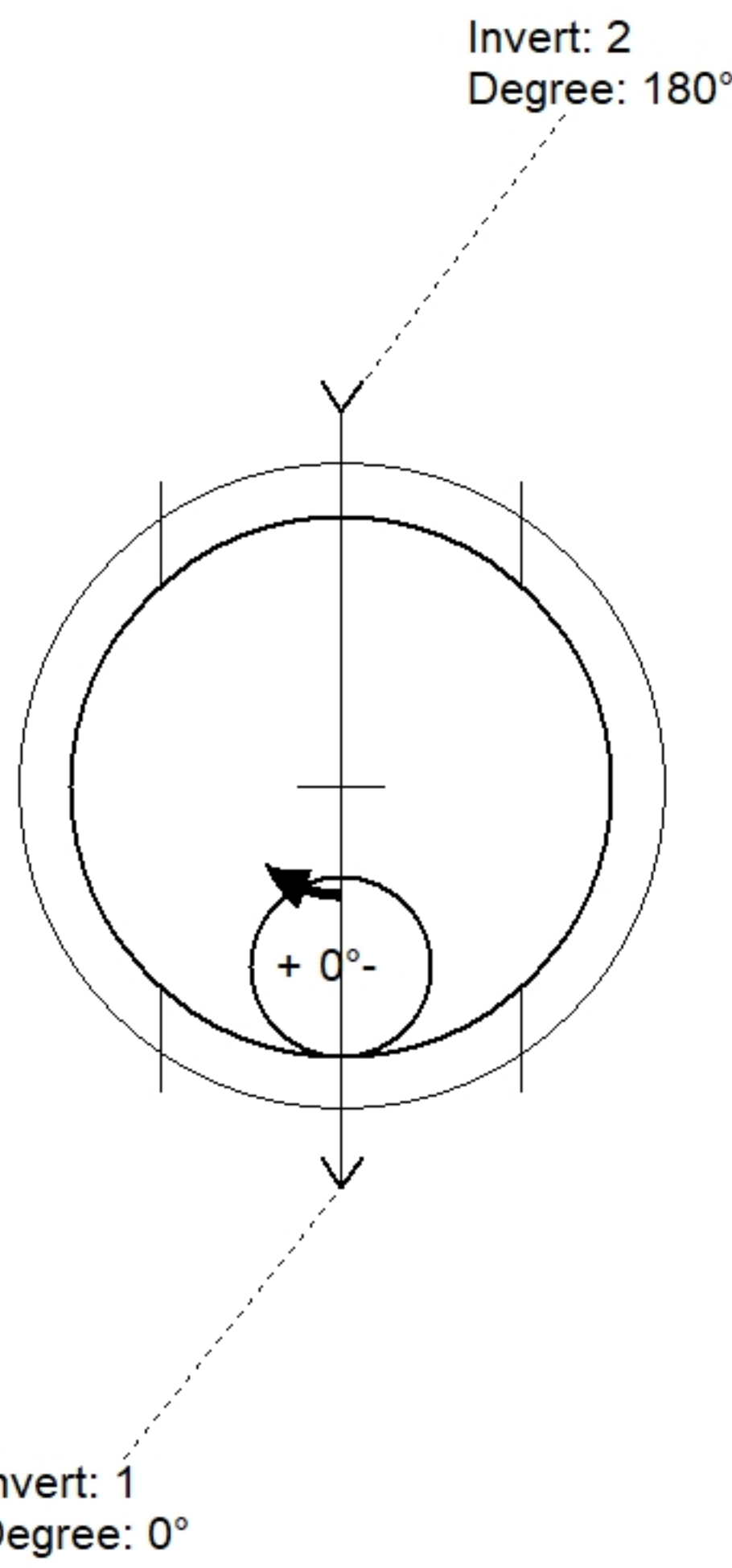
Floor (Bot): 495.85'
 Overall Height: 8.083'
 Slack: 0.2"

Structure Notes:

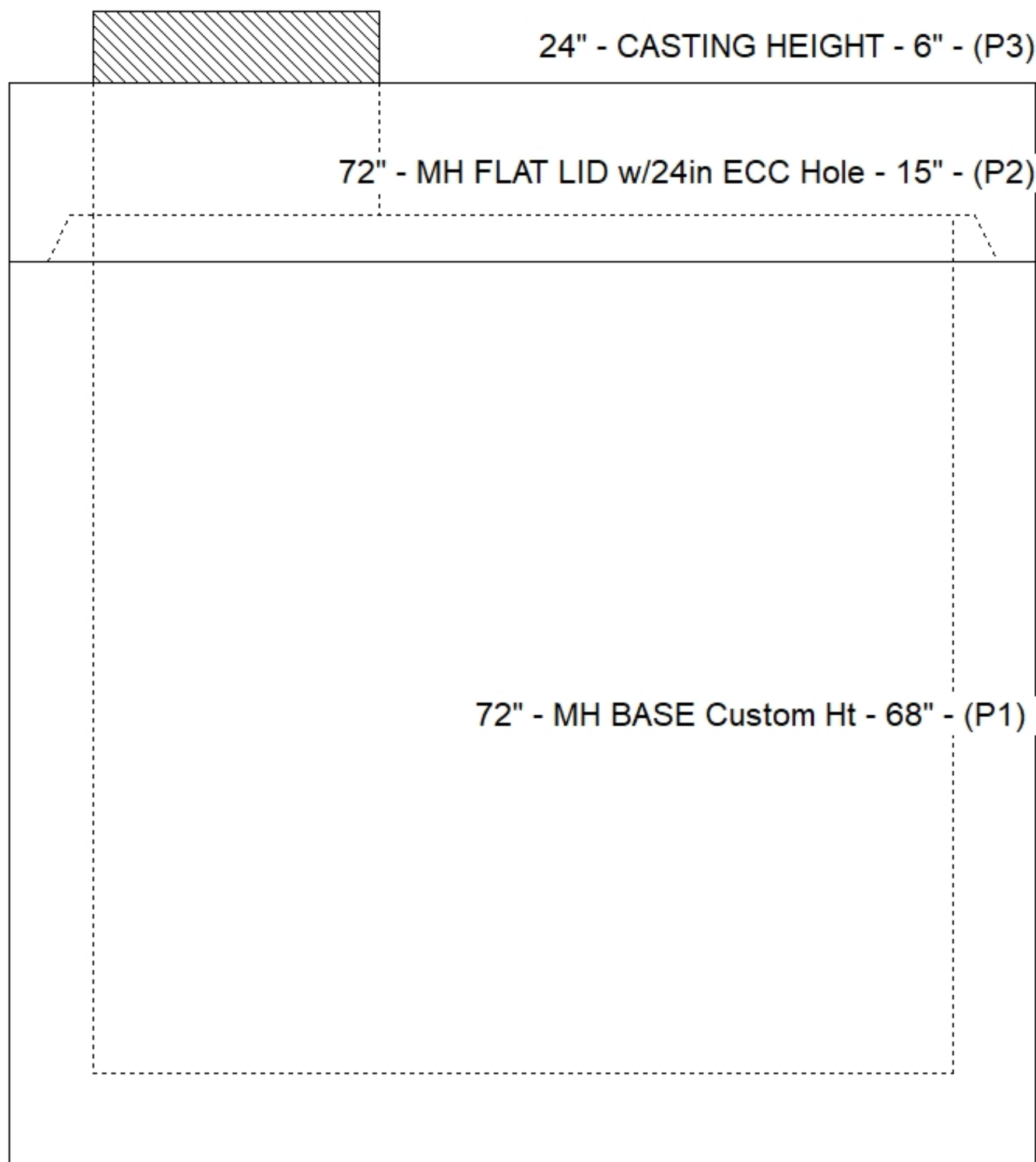
1. JBS-1021 FRAME & VENTED COVER BY ICAST.
2. PER ASTM C478 SPECIFICATIONS.
3. CONCRETE = 4,000 PSI AT 28 DAYS.
4. REINFORCING PER ASTM A615 (GRADE 60).
 - TOP SLAB (As .31) #5 BARS AT 6" C.C.E.W.
 - RISER/WALLS (As .12)
 - FLOOR (As .37) #5 BARS AT 10" C.C.E.W.
5. ****NO STEPS****
6. EXTERIOR COATINGS SUPPLIED & APPLIED BY OTHERS

STRUCTURE SUMMARY:

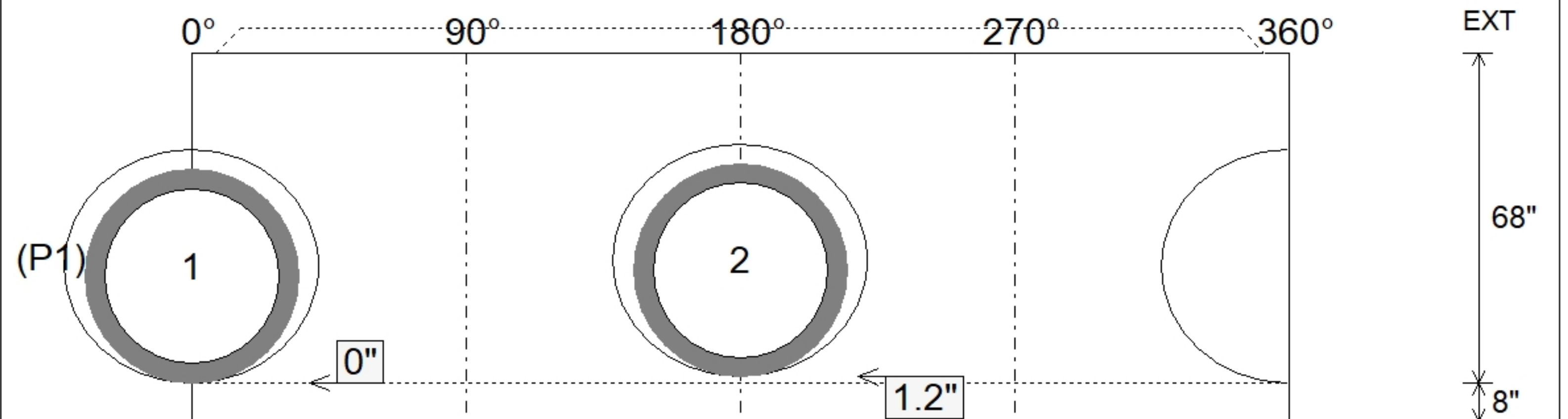
P3) 24" - CASTING HEIGHT - 6"	0 lb
P2) 72" - MH FLAT LID w/24in ECC Hole - 15"	5098 lb
P1) 72" - MH BASE Custom Ht - 68"	11521 lb
1) CASTING - JBS 1021 F/C VENTED	250 lb
1) 72" - Conseal CS-102 1.00"	0 lb
2) Hole - 48	0 lb
Structure Total:	16869 lb



Position	Elev	Angle	Pipe	Pipe OD	Hole	Connector	Up (")	Ref
Rim	503.95'							
Reducer								
Invert 1	496.85'	0°	36" RCP B WALL	44"	48"	Hole 48	0"	P1
Invert 2	496.95'	180°	36" RCP B WALL	44"	48"	Hole 48	1.2"	P1
Invert 3								
Invert 4								
Invert 5								
Invert 6								
Invert 7								
Invert 8								



Default - Interior Dimensions



Submittal Drawing
 12/18/2025 10:56:18 AM

SUBMITTAL
 APPROVED BY: