

Job Name: 25-1664 Springfield WWTP
Job Location: Springfield, TN
Contractor: Smith Contractors, Inc.

PC: C. Goff
 TECH: J. Coppage
 Plant: Beaver Dam



Structure ID: **SSMH-2 2+89.57**
 Spec: Sanitary-Xypex
 Type: Manhole
 Size: 48"

Rim: 525.25'
 Invert: 520'
 Rim to Invert: 5.25'

Sump: 2.029"
 Floor (Top): 519.831'
 Floor Height: 6"

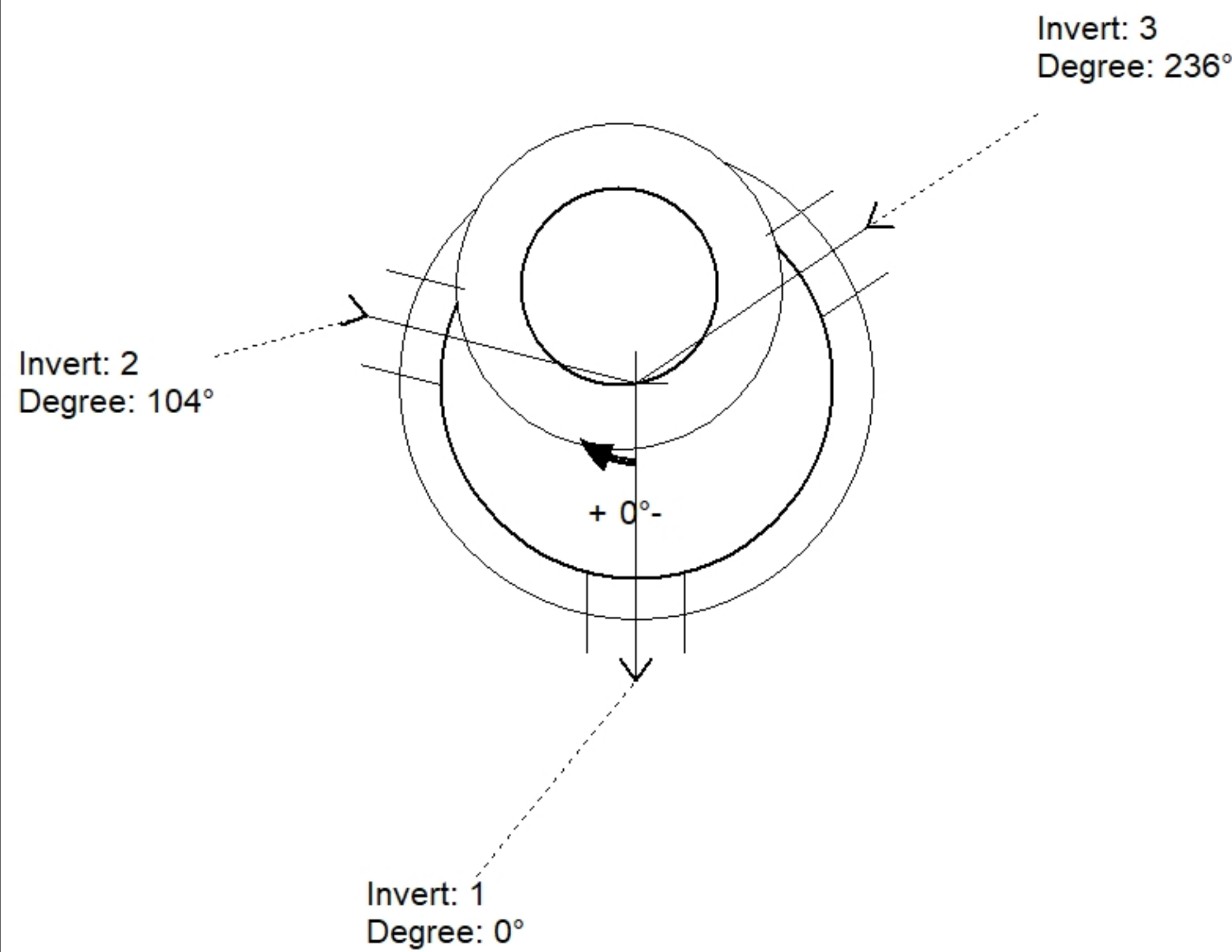
Floor (Bot): 519.331'
 Overall Height: 5.833'
 Slack: 1.029"

Structure Notes:

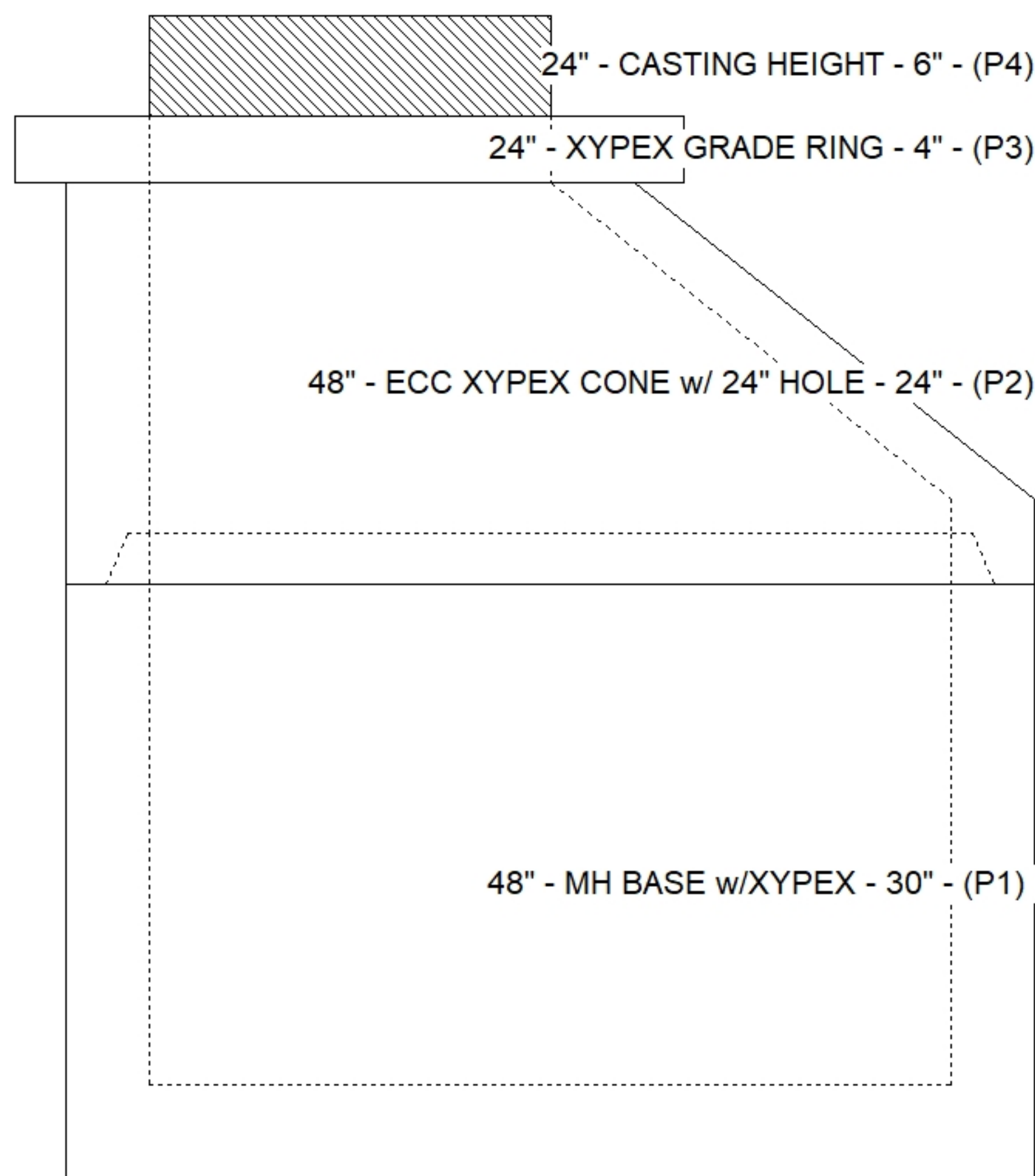
1. JBS-1155 SANITARY BY ICAST.
 2. PER ASTM C478 SPECIFICATIONS.
 3. CONCRETE = 4,000 PSI AT 28 DAYS.
 4. REINFORCING PER ASTM A615 (GRADE 60).
- CONE (As .12)
 - RISER/WALLS (As .12)
 - FLOOR - AS SHOWN BY WINFORD PETRONE

STRUCTURE SUMMARY:

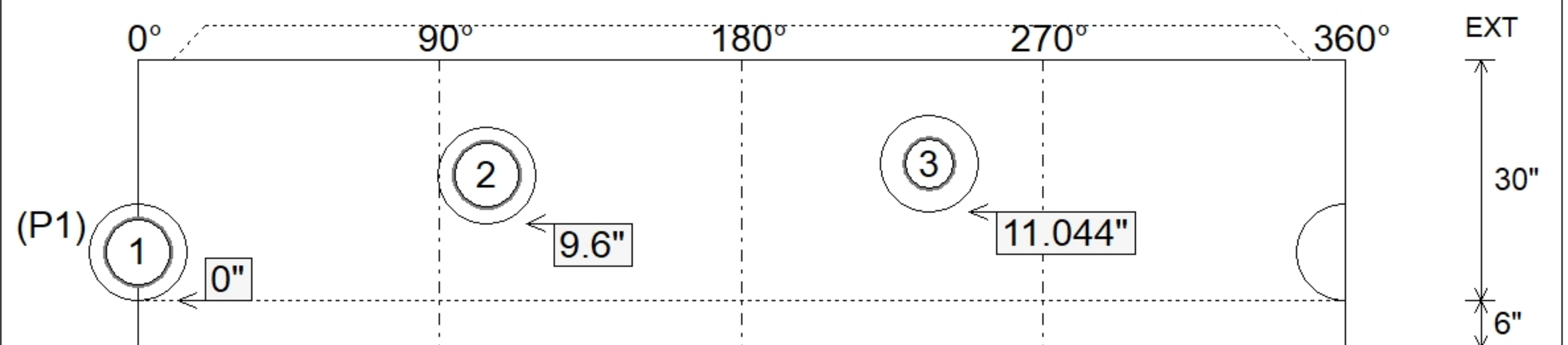
P4) 24" - CASTING HEIGHT - 6"	0 lb
P3) 24" - XYPEX GRADE RING - 4"	270 lb
P2) 48" - ECC XYPEX CONE w/ 24" HOLE - 24"	1738 lb
P1) 48" - MH BASE w/XYPEX - 30"	3282 lb
1) JOINT WRAP - 0.065"x6"x50' CONSEAL CS212	0 lb
1) JOINT WRAP PRIMER - CONSEAL CS-75 (1 gal.)	0 lb
1) 48" - MH INVERT CHANNEL w/XYPEX - FULL HEIGHT	1440 lb
1) 48" - Conseal CS-102 1.00" (Double)	0 lb
2) PSX - 12M NYLO	16 lb
1) PSX - 12-06 NYLO	8 lb
72.48 SqFt) MASTERSEAL 610 - Two Coats [EXT]	0 lb
Structure Total:	6755 lb



Position	Elev	Angle	Pipe	Pipe OD	Hole	Connector	Up (")	Ref
Rim	525.25'							
Reducer								
Invert 1	520'	0°	8" PVC SCH40	8.625"	12"	PSX 12M NYLO	0"	P1
Invert 2	520.8'	104°	8" PVC SCH40	8.625"	12"	PSX 12M NYLO	9.6"	P1
Invert 3	521'	236°	6" PVC SCH40	6.625"	12"	PSX 12-06 NYLO	11.044"	P1
Invert 4								
Invert 5								
Invert 6								
Invert 7								
Invert 8								



Default - Interior Dimensions



Submittal Drawing
 2/3/2026 8:57:21 AM

SUBMITTAL
 APPROVED BY: