

Job Name: 25-1664 Springfield WWTP
Job Location: Springfield, TN
Contractor: Smith Contractors, Inc.

PC: C. Goff
 TECH: J. Coppage
 Plant: Beaver Dam



Structure ID: **SSMH-1 1+36.67**

Spec: Sanitary-Xypex
 Type: Manhole
 Size: 48"

Rim: 525'
 Invert: 522.25'
 Rim to Invert: 2.75'

Sump: 2.029"
 Floor (Top): 522.081'
 Floor Height: 6"

Floor (Bot): 521.581'
 Overall Height: 3.417'
 Slack: 0.029"

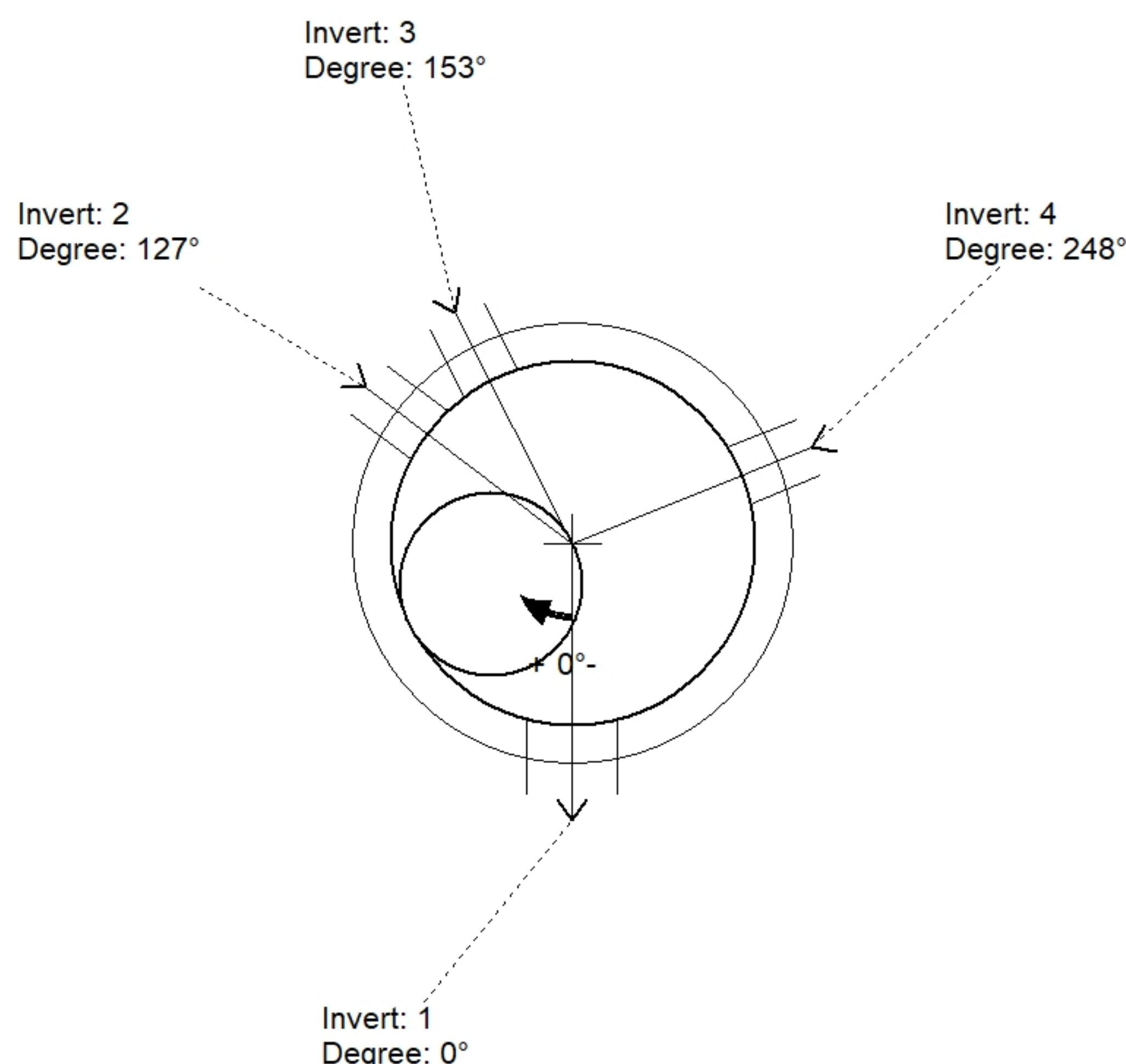
Structure Notes:

1. JBS-1155 SANITARY BY ICAST.
 2. PER ASTM C478 SPECIFICATIONS.
 3. CONCRETE = 4,000 PSI AT 28 DAYS.
 4. REINFORCING PER ASTM A615 (GRADE 60).
- TOP SLAB - AS SHOWN BY WINFORD PETRONE
 - RISER/WALLS (As .12)
 - FLOOR - AS SHOWN BY WINFORD PETRONE

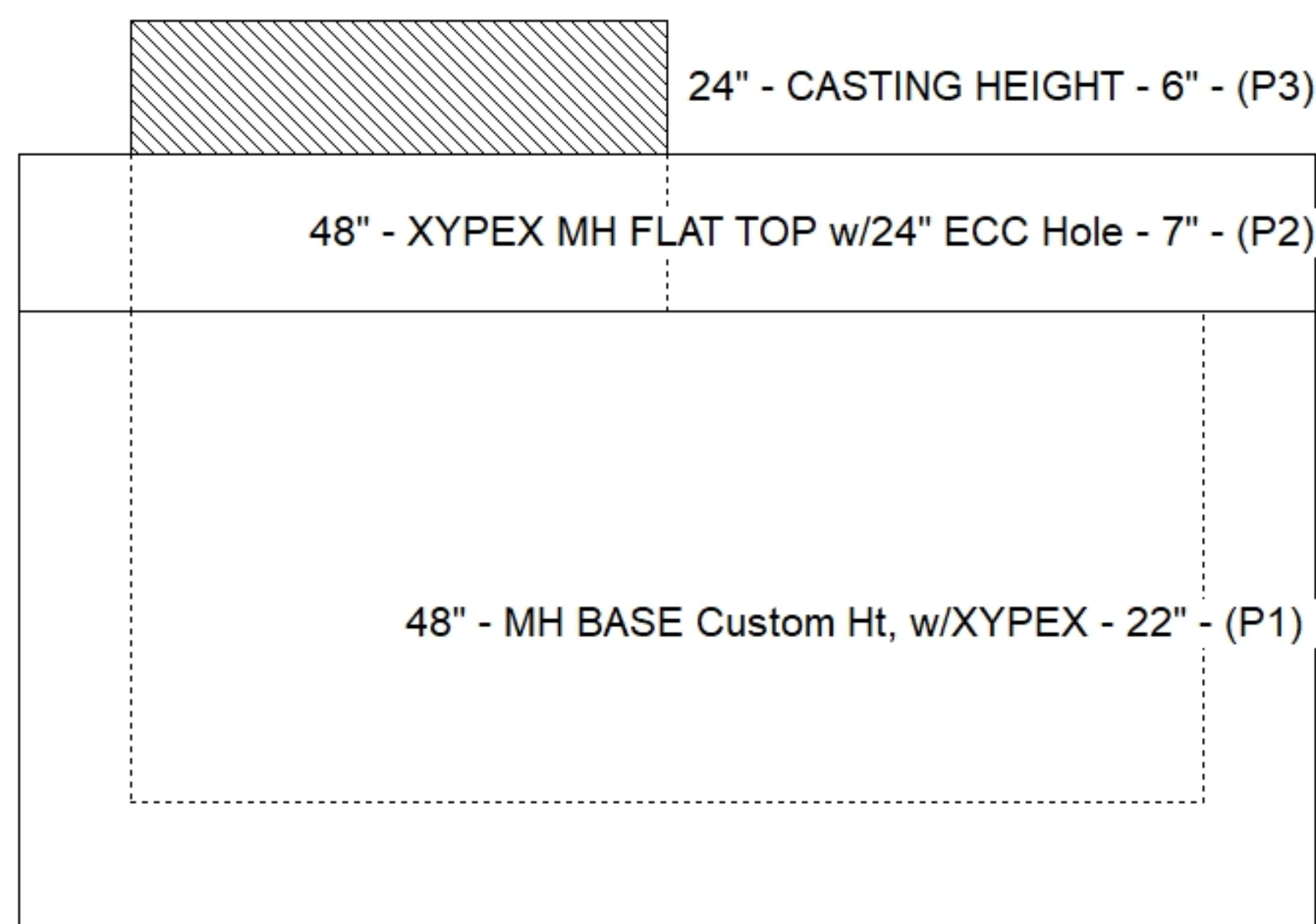
STRUCTURE SUMMARY:

- P3) 24" - CASTING HEIGHT - 6" 0 lb
- P2) 48" - XYPEX MH FLAT TOP w/24" ECC Hole - 7" 1286 lb
- P1) 48" - MH BASE Custom Ht, w/XYPEX - 22" 2756 lb
- 1) JOINT WRAP - 0.065"x6"x50' CONSEAL CS212 0 lb
- 1) JOINT WRAP PRIMER - CONSEAL CS-75 (1 gal.) 0 lb
- 1) 48" - MH INVERT CHANNEL w/XYPEX - FULL HEIGHT 1440 lb
- 1) 48" - Conseal CS-102 1.00" (Double) 0 lb
- 1) PSX - 12M NYLO 8 lb
- 3) PSX - 8QRS-S NYLO 20 lb
- 62.64 SqFt) MASTERSEAL 610 - Two Coats [EXT] 0 lb

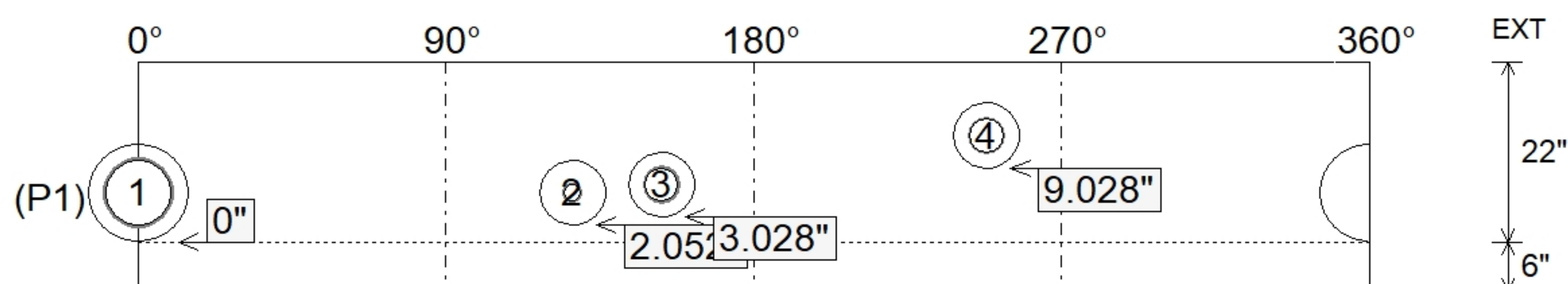
Structure Total: 5509 lb



Position	Elev	Angle	Pipe	Pipe OD	Hole	Connector	Up (")	Ref
Rim	525'							
Reducer								
Invert 1	522.25'	0°	8" PVC SCH40	8.625"	12"	PSX 12M NYLO	0"	P1
Invert 2	522.5'	127°	2" PVC SCH40	2.375"	8"	PSX 8QRS-S NYLO	2.052"	P1
Invert 3	522.5'	153°	4" PVC SCH40	4.5"	8"	PSX 8QRS-S NYLO	3.028"	P1
Invert 4	523'	248°	4" PVC SCH40	4.5"	8"	PSX 8QRS-S NYLO	9.028"	P1
Invert 5								
Invert 6								
Invert 7								
Invert 8								



Default - Interior Dimensions



Submittal Drawing
 2/3/2026 8:57:19 AM

SUBMITTAL
 APPROVED BY: